

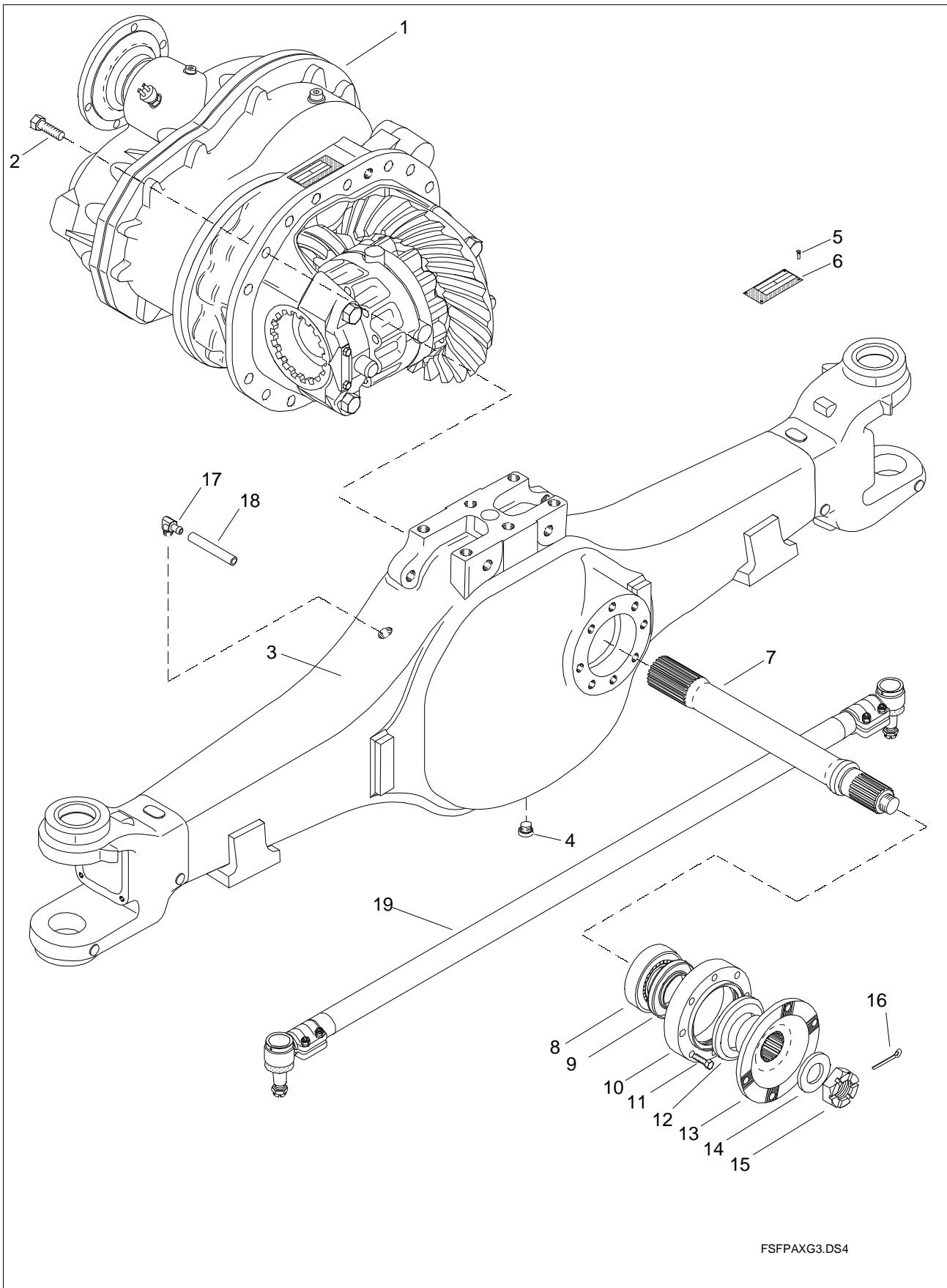
# **SISU AXLES**

## **SPARE PARTS BOOK**

**Front Axle  
FSMP-14-G**

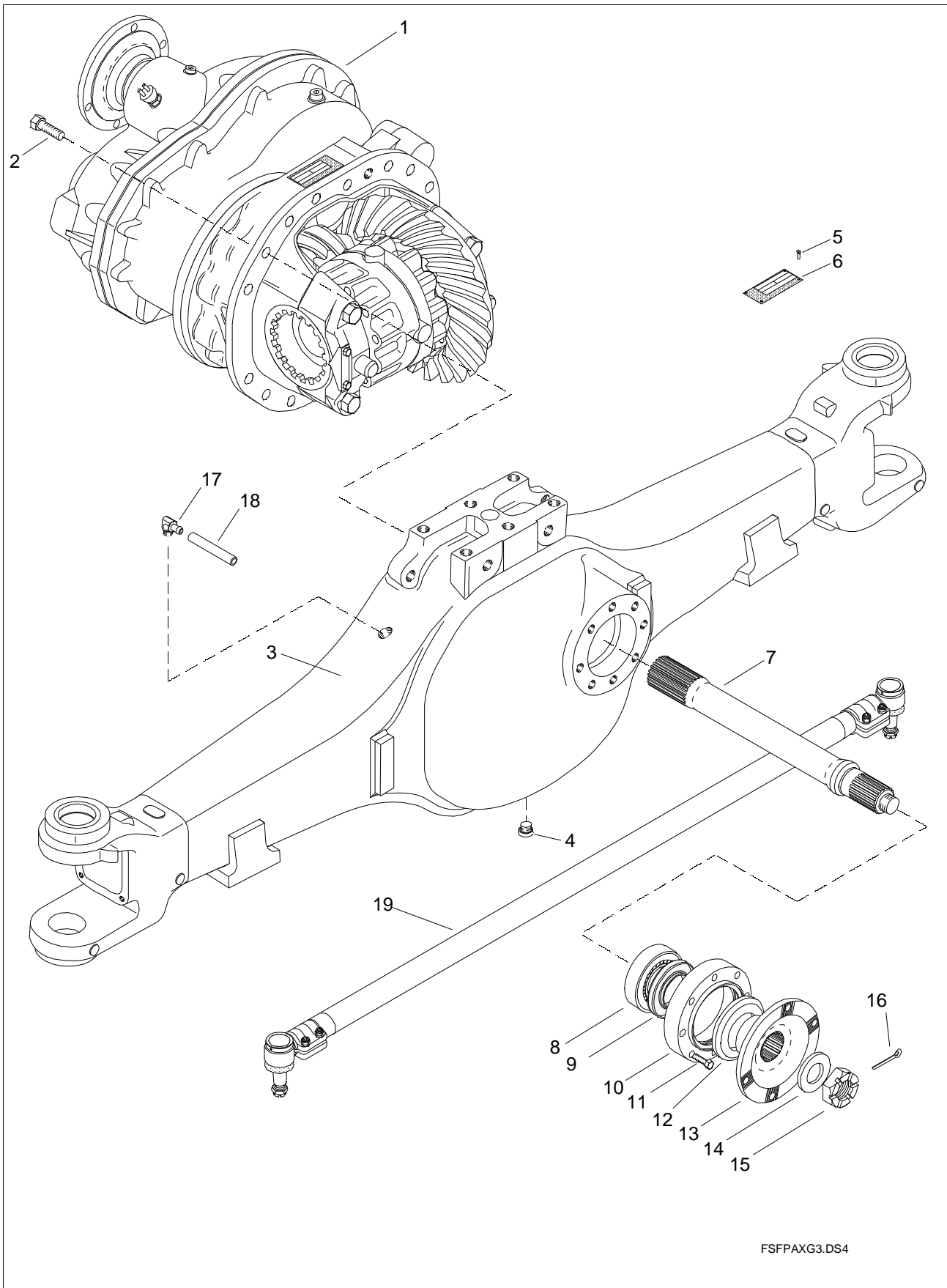
**Book No. 210 (4/2009)**

*Sisu Axles, Inc.*  
Autotehtaan tie 1  
PO Box 189  
FIN-13101 Hämeenlinna  
Finland  
Phone +358 204 55 2999  
Fax +358 204 55 2900



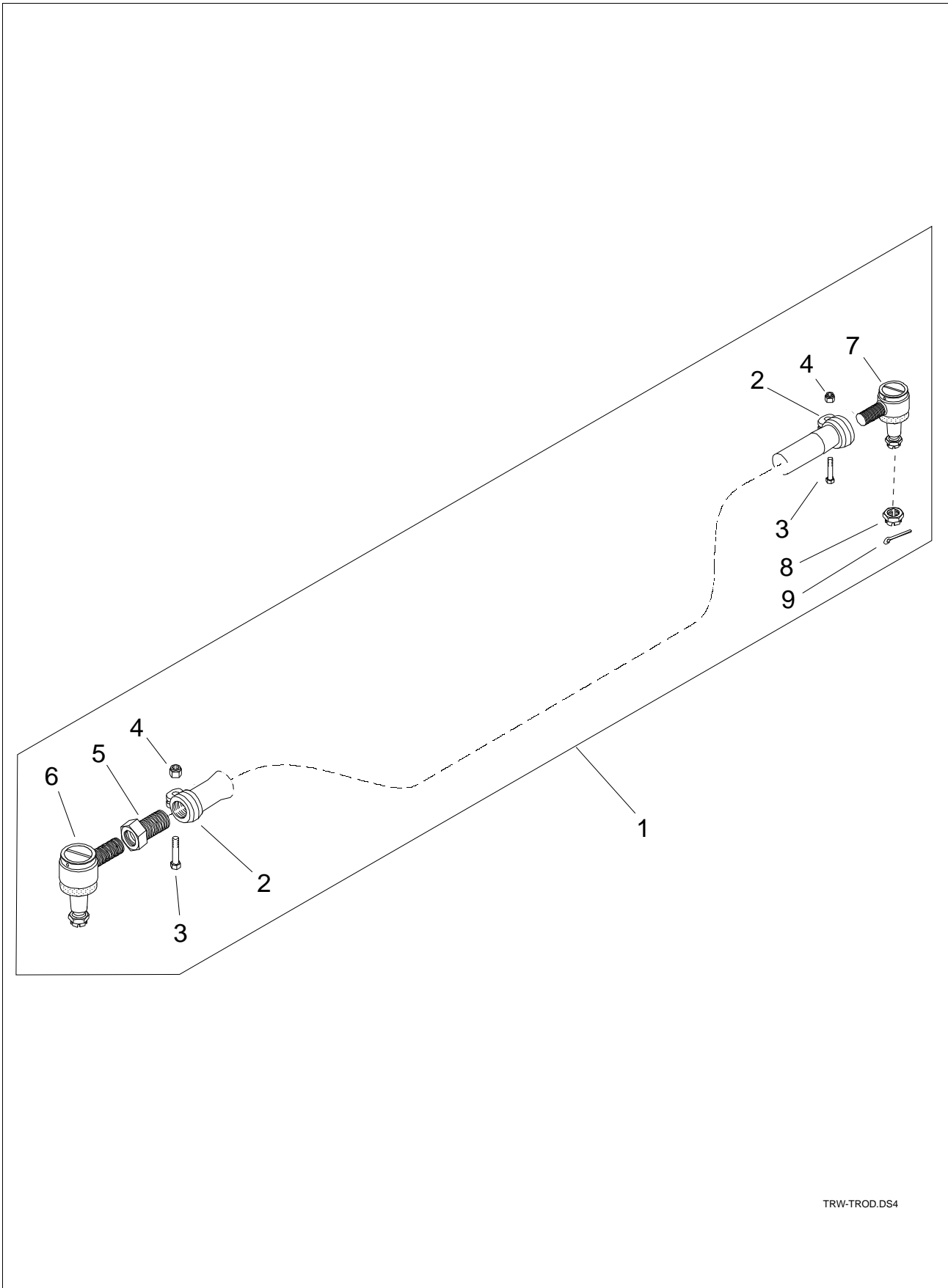
FSFPAXG3.DS4

| Item | Qty. | Order no.           | Description              | Note                            |
|------|------|---------------------|--------------------------|---------------------------------|
| 1    | 1    | <b>544-203-2851</b> | Diff. Carrier Assembly   | FR 8.79, HS1700-1800            |
| 1    | 1    | <b>544-203-2881</b> | Diff. Carrier Assembly   | FR 10.55, HS1700-1800           |
| 1    | 1    | <b>544-304-6329</b> | Diff. Carrier Assembly   | FR 6.36, HS1700/1800 flange     |
| 2    | 16   | <b>90303-16407</b>  | Hex Screw                | M16x40, 10.9                    |
| 3    | 1    | <b>541-113-2700</b> | Axle housing             | Track 2360                      |
| 4    | 1    | <b>90831-24139</b>  | Oil plug                 | R 3/4", Up to No. 00702, 2/2000 |
| 4    | 1    | <b>90873-22109</b>  | Oil plug                 | M22x1.5, since No 00703, 2/2000 |
| 4    | 1    | <b>91201-22150</b>  | Seal ring                | Cu, since No 00703, 2/2000      |
| 5    | 4    | <b>90111-29054</b>  | Rivet                    | D2.9x5                          |
| 6    | 1    | <b>91600-20811</b>  | Name plate               |                                 |
| 7    | 1    | <b>144-251-3010</b> | Output Shaft             | Without Declutch                |
| 8    | 1    | <b>144-287-0310</b> | Spacer ring              | D54.6/76.4x21                   |
| 8    | 1    | <b>91734-40651</b>  | Deep groove ball bearing |                                 |
| 9    | 1    | <b>91122-08505</b>  | Shaft seal               | D85/105x10                      |
| 10   | 1    | <b>144-321-0010</b> | Seal housing             |                                 |
| 11   | 8    | <b>590303-10503</b> | Hex Screw                | M10x50                          |
| 12   | 1    | <b>91121-09001</b>  | Seal ring                | D90/110x5                       |
| 13   | 1    | <b>138-917-2410</b> | Output flange            | HS1700/1800, N55                |
| 14   | 1    | <b>90705-43069</b>  | washer                   | D43/80x6                        |
| 15   | 1    | <b>90546-42653</b>  | Nut                      | M42x1.5                         |
| 16   | 1    | <b>90621-63633</b>  | Split pin                | D6.3x63                         |
| 17   | 1    | <b>179-841-1000</b> | Breather pipe            |                                 |
| 17   | 1    | <b>179-842-0000</b> | Breather Cover           |                                 |
| 17   | 1    | <b>90621-32253</b>  | Split pin                | 3.2x25                          |
| 18   |      | <b>0</b>            |                          | not installed                   |
| 19   | 1    | <b>540-201-9741</b> | Tie rod assy             | L=1394 mm, drop 60 mm, complete |



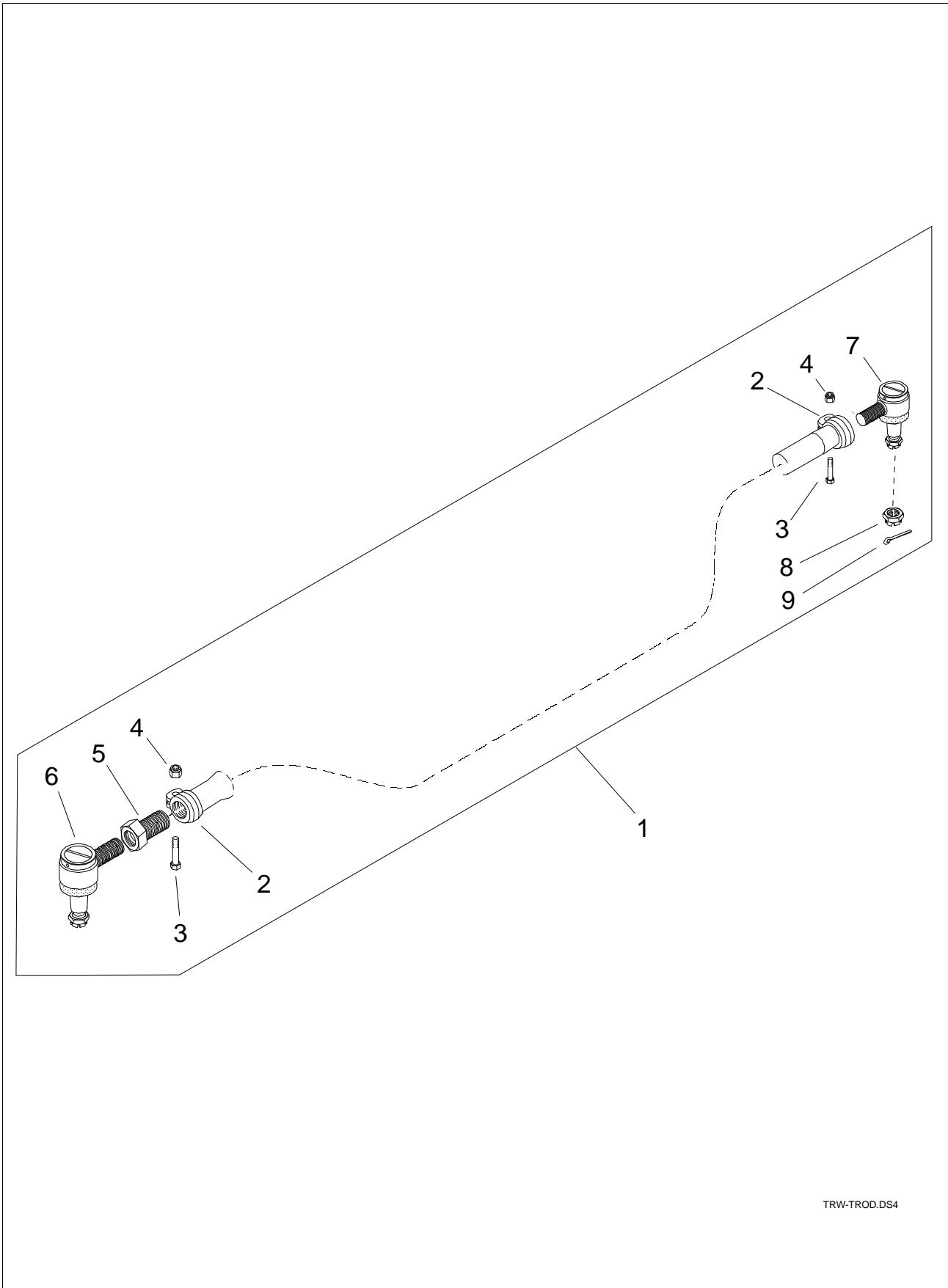
FSFPAXG3.DS4

| Item | Qty. | Order no.           | Description              | Note                                   |
|------|------|---------------------|--------------------------|----------------------------------------|
| 1    | 1    | <b>544-303-1089</b> | Diff. Carrier Assembly   | FR 9.51, HS1700/1800, S/N 143556 only  |
| 1    | 1    | <b>544-303-3189</b> | Diff. Carrier Assembly   | FR 9.51, HS1700/1800                   |
| 1    | 1    | <b>544-304-6319</b> | Diff. Carrier Assembly   | FR 7.01, HS1700/1800 flange            |
| 1    | 1    | <b>544-304-6351</b> | Diff. Carrier Assembly   | FR 8.79, HS1700/1800 flange            |
| 1    | 1    | <b>544-304-6381</b> | Diff. Carrier Assembly   | FR 10.55, HS1700/1800 flange           |
| 2    | 16   | <b>90303-16407</b>  | Hex Screw                | M16x40, 10.9                           |
| 3    | 1    | <b>541-113-2700</b> | Axle housing             | Track 2360                             |
| 3    | 1    | <b>541-113-4400</b> | Axle housing             | Track 2580                             |
| 4    | 1    | <b>90873-22109</b>  | Oil plug                 | M22x1.5 - DIN908, Allen head, magnetic |
| 4    | 1    | <b>91201-22150</b>  | Seal ring                | D22/27x1.5 Cu                          |
| 5    | 4    | <b>90111-29054</b>  | Rivet                    | D2.9x5                                 |
| 6    | 1    | <b>591600-20823</b> | Name plate               |                                        |
| 7    | 1    | <b>144-251-3010</b> | Output Shaft             | W/o Declutch, splines W55x26           |
| 8    | 1    | <b>144-287-0310</b> | Spacer ring              | D54.6/76.4x21                          |
| 8    | 1    | <b>91734-40651</b>  | Deep groove ball bearing | D65/120 x 23                           |
| 9    | 1    | <b>591122-08507</b> | Shaft seal               | Cassette seal D85/120x9/20             |
| 9    | 1    | <b>91122-08505</b>  | Shaft seal               | D85/105x10, S/N 143556 only            |
| 10   | 1    | <b>144-321-0010</b> | Seal housing             | S/N 143556 only                        |
| 10   | 1    | <b>544-321-0500</b> | Seal housing             | For cassette seal                      |
| 11   | 8    | <b>590303-10503</b> | Hex Screw                | M10x50, S/N 143556 only                |
| 11   | 8    | <b>90303-10303</b>  | Hex Screw                | M10x30                                 |
| 12   | 1    | <b>91121-09001</b>  | Seal ring                | D90/110x5, S/N 143556 only             |
| 13   | 1    | <b>538-917-2411</b> | Output flange            | ISO - T180, N55 S/N 143556 only        |
| 13   | 1    | <b>538-917-2510</b> | Output flange            | HS1700/1800, N55 (cassette seal)       |
| 13   | 1    | <b>538-917-2511</b> | Output flange            | ISO - T180, N55 (cassette seal)        |
| 14   | 1    | <b>90705-43069</b>  | washer                   | D43/80x6                               |
| 15   | 1    | <b>90546-42653</b>  | Nut                      | M42x1.5                                |
| 16   | 1    | <b>90621-63633</b>  | Split pin                | D6.3x63                                |
| 17   | 1    | <b>179-841-1000</b> | Breather pipe            |                                        |
| 17   | 1    | <b>179-842-0000</b> | Breather Cover           |                                        |
| 17   | 1    | <b>90621-32253</b>  | Split pin                | 3.2x25                                 |
| 18   |      | <b>0</b>            |                          | not installed                          |
| 19   | 1    | <b>540-201-9741</b> | Tie rod assy             | L=1394 mm, drop 60 mm, complete        |
| 19   | 1    | <b>540-201-9881</b> | Tie rod assy             | L=1620 mm, drop 40 mm, complete        |



TRW-TROD.DS4

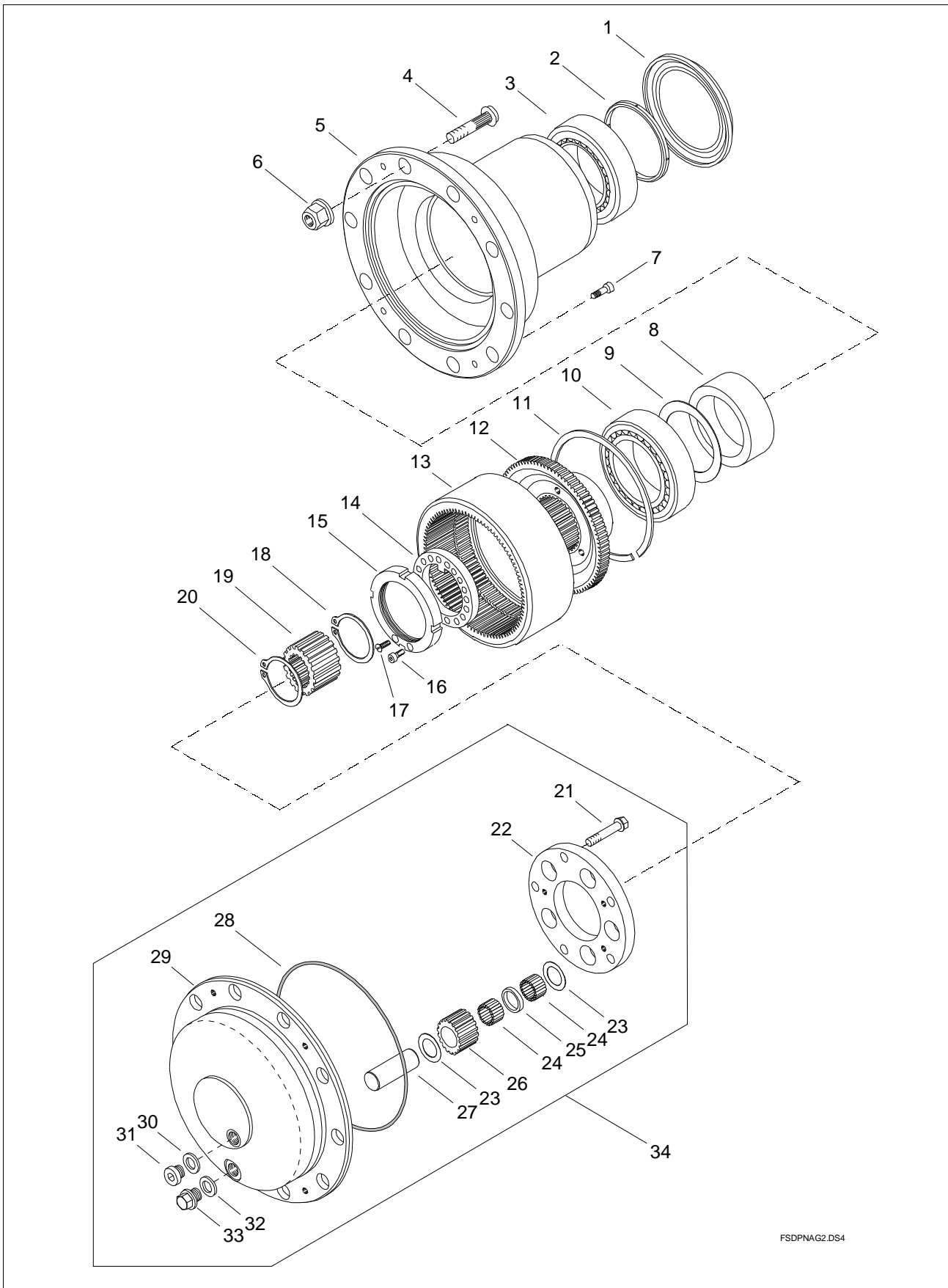
| Item | Qty. | Order no.           | Description         | Note                            |
|------|------|---------------------|---------------------|---------------------------------|
| 1    | 1    | <b>540-201-9881</b> | Tie rod assy        | L=1620 mm, drop 40 mm, complete |
| 2    | 2    | <b>594-104-1110</b> | Clamp               | 50 mm diameter                  |
| 3    | 2    | <b>590321-14807</b> | Hex Screw           | M14x1.5x80, DIN 960, 10.9       |
| 4    | 2    | <b>590556-14227</b> | Nut                 | M14x1.5, DIN 980, 10            |
| 5    | 1    | <b>540-216-0300</b> | Adj. piece          | M38x1.5LH/M30x1.5RH             |
| 6    | 1    | <b>560-530-0711</b> | Ball Joint Assembly | RH, D50, M30x1.5                |
| 7    | 1    | <b>560-530-0511</b> | Ball Joint Assembly | RH, D50, M38x1.5                |
| 8    | 2    | <b>590546-30463</b> | Nut                 | M30x1.5                         |
| 9    | 2    | <b>90621-63633</b>  | Split pin           | D6.3x63                         |



TRW-TROD.DS4

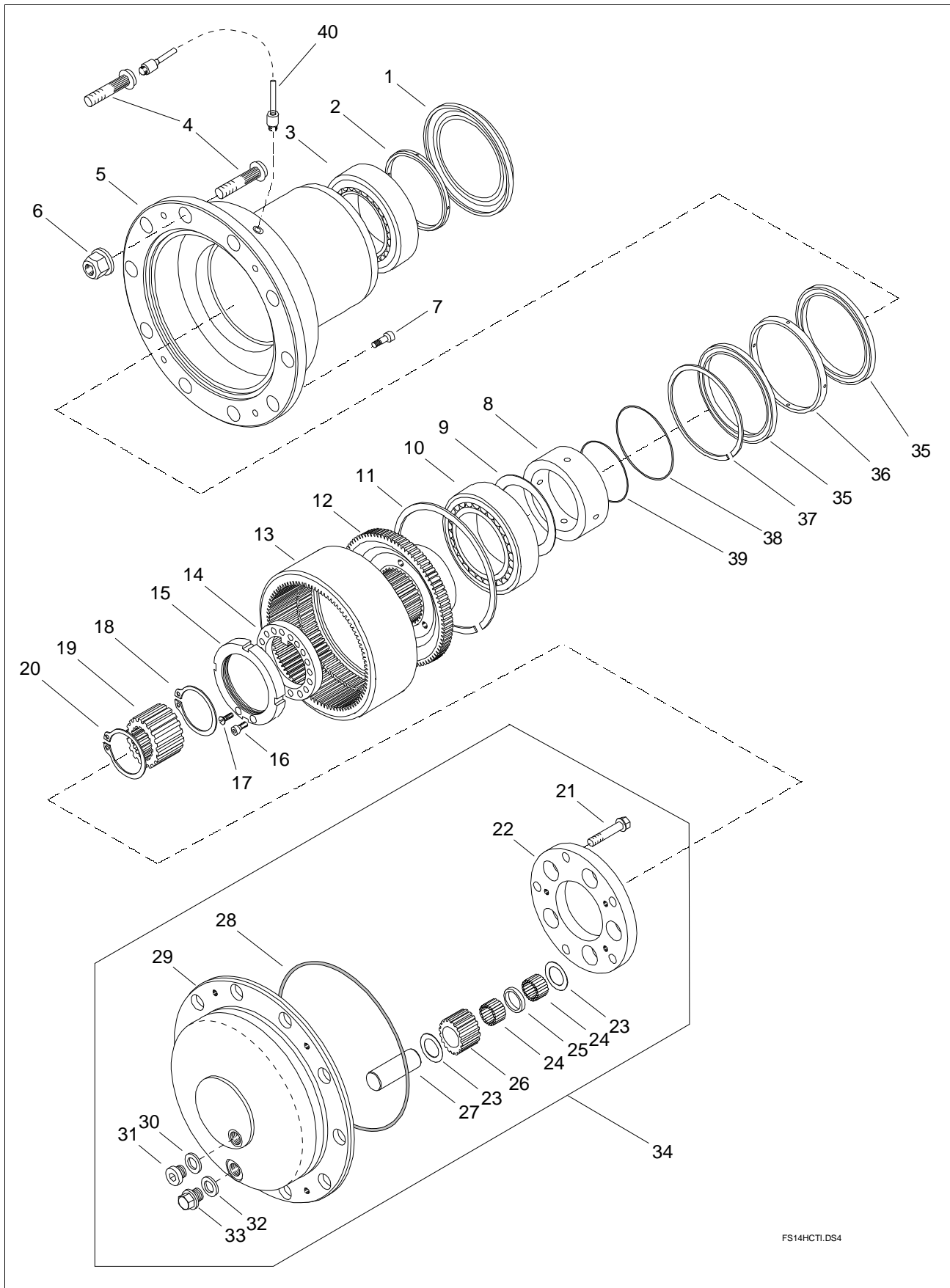


| Item | Qty. | Order no.           | Description         | Note                            |
|------|------|---------------------|---------------------|---------------------------------|
| 1    | 1    | <b>540-201-9741</b> | Tie rod assy        | L=1394 mm, drop 60 mm, complete |
| 2    | 2    | <b>594-104-1110</b> | Clamp               | 50 mm diameter                  |
| 3    | 2    | <b>590321-14807</b> | Hex Screw           | M14x1.5x80, DIN 960, 10.9       |
| 4    | 2    | <b>590556-14227</b> | Nut                 | M14x1.5, DIN 980, 10            |
| 5    | 1    | <b>540-216-0300</b> | Adj. piece          | M38x1.5LH/M30x1.5RH             |
| 6    | 1    | <b>560-530-0711</b> | Ball Joint Assembly | RH, D50, M30x1.5                |
| 7    | 1    | <b>560-530-0511</b> | Ball Joint Assembly | RH, D50, M38x1.5                |
| 8    | 2    | <b>590546-30463</b> | Nut                 | M30x1.5                         |
| 9    | 2    | <b>90621-63633</b>  | Split pin           | D6.3x63                         |



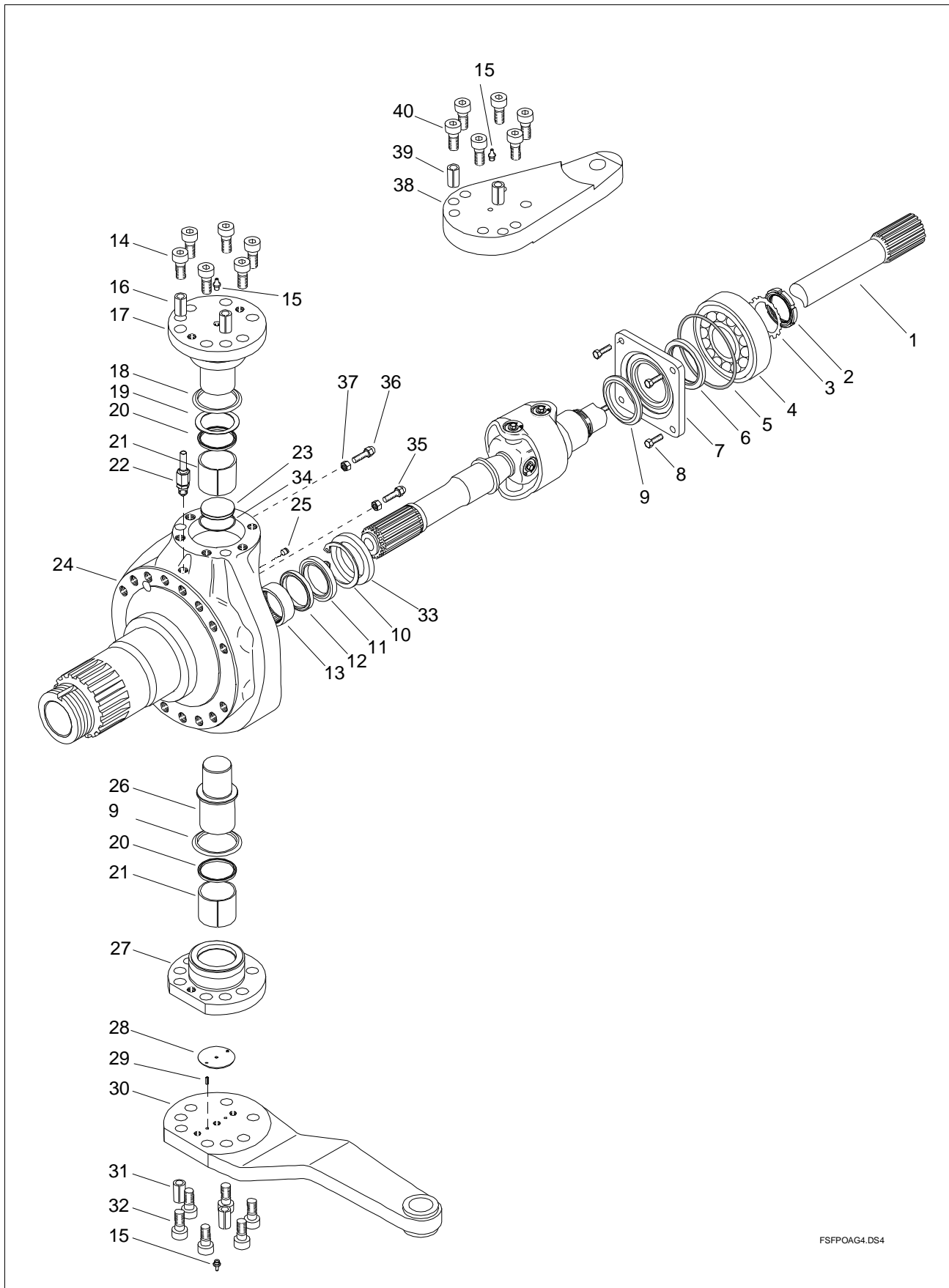
FSDPNAG2.DS4

| Item | Qty. | Order no.           | Description            | Note                                   |
|------|------|---------------------|------------------------|----------------------------------------|
| 1    | 2    | <b>591122-13301</b> | Shaft seal             | Ø133,4/187,5, Up to No. 20286 (2/2002) |
| 1    | 2    | <b>591122-15001</b> | Shaft seal             | Ø150/180, Since No. 20287 (2/2002)     |
| 2    | 2    | <b>540-415-1010</b> | Spacer ring            | Up to No. 20286 (2/2002)               |
| 2    | 2    | <b>540-415-1300</b> | Spacer ring            | Since No. 20287 (2/2002)               |
| 2    | 2    | <b>91101-33026</b>  | O-ring                 | 133x2.62, Since No. 20287 (2/2002)     |
| 3    | 2    | <b>91744-01101</b>  | T. Roller bearing      |                                        |
| 4    | 20   | <b>140-911-2700</b> | Wheel bolt             | L=113 mm                               |
| 4    | 20   | <b>540-911-3500</b> | Wheel bolt             | L=103 mm                               |
| 5    | NLA  | <b>541-411-1401</b> | Wheel hub              | Superceded by item 541-411-1402        |
| 5    | 2    | <b>541-411-1402</b> | Wheel hub              | Reinforced, with seal 591122-13301     |
| 5    | NLA  | <b>541-411-1410</b> | Wheel hub              | Superceded by item 541-411-1412        |
| 5    | 2    | <b>541-411-1412</b> | Wheel hub              | reinforced, with seal 591122-15001     |
| 6    | 20   | <b>540-916-1610</b> | Wheel nut              | M22x1.5                                |
| 7    | 8    | <b>590313-10303</b> | Allen Screw            | M10x30                                 |
| 8    | 2    | <b>543-416-0210</b> | Spacer ring            | L=44 mm                                |
| 9    | ar   | <b>590731-09510</b> | Shim                   | s= 0.1 mm                              |
| 9    | ar   | <b>590731-09515</b> | Shim                   | s= 0.15 mm                             |
| 9    | ar   | <b>590731-09520</b> | Shim                   | s= 0.2 mm (preferred thickness)        |
| 9    | ar   | <b>590731-09530</b> | Shim                   | s= 0.3 mm (preferred thickness)        |
| 9    | ar   | <b>590731-09550</b> | Shim                   | s= 0.5 mm (preferred thickness)        |
| 9    | ar   | <b>590732-09510</b> | Shim                   | s= 1.0 mm (preferred thickness)        |
| 10   | 2    | <b>91744-01201</b>  | T. Roller bearing      |                                        |
| 11   | 2    | <b>91720-22001</b>  | Retainer ring          | D220x3                                 |
| 12   | 2    | <b>535-271-0611</b> | Ring gear hub          |                                        |
| 13   | 2    | <b>535-261-2110</b> | Ring gear              |                                        |
| 14   | 2    | <b>143-418-0510</b> | Lock plate             | S=6 mm, holed                          |
| 15   | 2    | <b>599-290-8004</b> | Lock Nut               | M90x2                                  |
| 16   | 2    | <b>590319-08186</b> | Allen Screw            | M8x18                                  |
| 17   | 2    | <b>590319-08126</b> | Allen Screw            | M8x12                                  |
| 18   | 2    | <b>591711-05500</b> | Retainer ring          | D55x2                                  |
| 19   | 2    | <b>535-211-1310</b> | Sun gear               | N55x2x26                               |
| 20   | 2    | <b>591711-05500</b> | Retainer ring          | D55x2                                  |
| 21   | 10   | <b>590169-01670</b> | Special screw          | M16x1.5x70                             |
| 22   | 2    | <b>535-231-1310</b> | Planet carrier         |                                        |
| 23   | 20   | <b>590-353-1100</b> | Spacer plate           | D33.5/55.5x1.47                        |
| 24   | 480  | <b>91385-50240</b>  | Needle roller          | D5x23.8                                |
| 25   | 10   | <b>590-354-3100</b> | Spacer ring            | D33.5/42x7                             |
| 26   | 10   | <b>535-241-1310</b> | Planet gear            |                                        |
| 27   | 10   | <b>535-251-1410</b> | Planet gear shaft      |                                        |
| 28   | 2    | <b>591109-66052</b> | O-ring                 | D266x5.33                              |
| 29   | 2    | <b>541-471-0410</b> | Planetary gear housing |                                        |
| 30   | 2    | <b>91201-22150</b>  | Seal ring              | D22/27x1.5 Cu                          |
| 31   | 2    | <b>90873-22109</b>  | Oil plug               | M22x1.5, Allen head                    |
| 32   | 2    | <b>91201-22150</b>  | Seal ring              | D22/27x1.5 Cu                          |
| 33   | 2    | <b>90871-22193</b>  | Plug screw             | M22x1.5, hex head                      |
| 34   | 2    | <b>541-404-0171</b> | Planetary gear         |                                        |



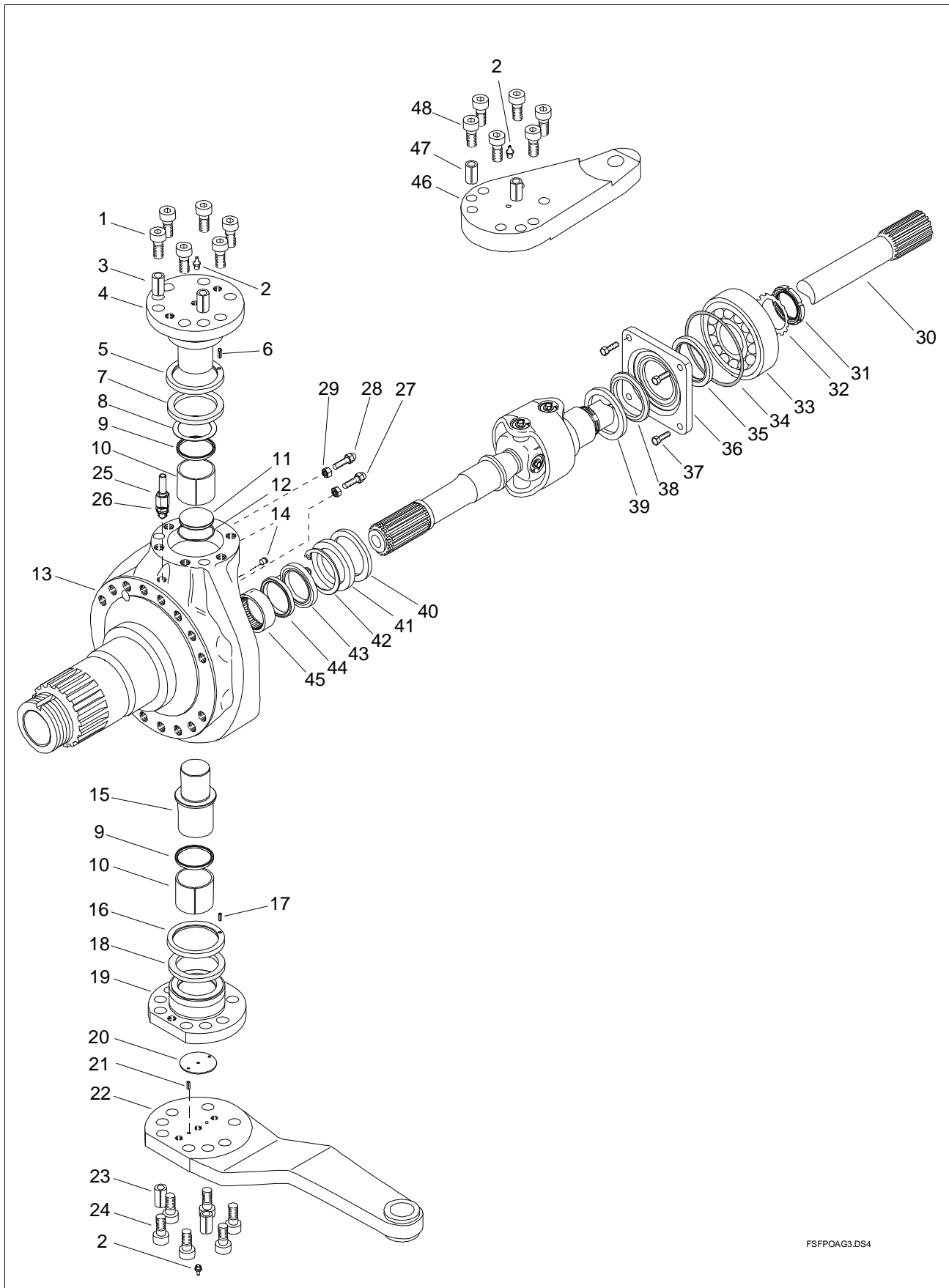
FS14HCTI.DS4

| Item | Qty. | Order no.           | Description            | Note                                         |
|------|------|---------------------|------------------------|----------------------------------------------|
| 1    | 2    | <b>591122-15001</b> | Shaft seal             | Ø150/180                                     |
| 2    | 2    | <b>540-415-1300</b> | Spacer ring            | D133.35/150x22                               |
| 2    | 2    | <b>91101-33026</b>  | O-ring                 | 133x2.62                                     |
| 3    | 2    | <b>91744-01101</b>  | T. Roller bearing      |                                              |
| 4    | 18   | <b>140-911-2510</b> | Wheel bolt             | L=93 mm                                      |
| 4    | 18   | <b>540-911-3500</b> | Wheel bolt             | L=103 mm                                     |
| 4    | 2    | <b>540-911-3610</b> | Wheel bolt             | CTI, L=91mm                                  |
| 4    | 2    | <b>540-911-3700</b> | Wheel bolt             | CTI, L=103 mm                                |
| 5    | NLA  | <b>541-411-2300</b> | Wheel hub              | FS-14, CTI, superceded by item 541-411-2302  |
| 5    | 2    | <b>541-411-2302</b> | Wheel hub              | FS-14, CTI, reinforced                       |
| 6    | 20   | <b>540-916-1610</b> | Wheel nut              | M22x1.5                                      |
| 7    | 8    | <b>590313-10303</b> | Allen Screw            | M10x30                                       |
| 8    | 2    | <b>540-415-1500</b> | Spacer ring            | D95/125x44, CTI                              |
| 9    | NLA  | <b>590731-09510</b> | Shim                   | s= 0.1 mm                                    |
| 9    | NLA  | <b>590731-09515</b> | Shim                   | s= 0.15 mm                                   |
| 9    | ar   | <b>590731-09520</b> | Shim                   | s= 0.2 mm                                    |
| 9    | ar   | <b>590731-09530</b> | Shim                   | s= 0.3 mm                                    |
| 9    | ar   | <b>590731-09550</b> | Shim                   | s= 0.5 mm                                    |
| 9    | ar   | <b>590732-09510</b> | Shim                   | s= 1.0 mm                                    |
| 10   | 2    | <b>91744-01201</b>  | T. Roller bearing      |                                              |
| 11   | 2    | <b>91720-22001</b>  | Retainer ring          | D220x3                                       |
| 12   | 2    | <b>535-271-0611</b> | Ring gear hub          |                                              |
| 13   | 2    | <b>535-261-2110</b> | Ring gear              |                                              |
| 14   | 2    | <b>143-418-0510</b> | Lock plate             | S=6 mm, punched                              |
| 15   | 2    | <b>599-290-8004</b> | Lock Nut               | M90x2                                        |
| 16   | 2    | <b>590319-08186</b> | Allen Screw            | M8x18                                        |
| 17   | 2    | <b>590319-08126</b> | Allen Screw            | M8x12                                        |
| 18   | 2    | <b>591711-05500</b> | Retainer ring          | D55x2                                        |
| 19   | 2    | <b>535-211-1310</b> | Sun gear               | N55x2x26                                     |
| 20   | 2    | <b>591711-05500</b> | Retainer ring          | D55x2                                        |
| 21   | 10   | <b>590169-01670</b> | Special screw          | M16x1.5x70                                   |
| 22   | 2    | <b>535-231-1310</b> | Planet carrier         |                                              |
| 23   | 20   | <b>590-353-1100</b> | Spacer plate           | D33.5/55.5x1.47                              |
| 24   | 480  | <b>91385-50240</b>  | Needle roller          | D5x23.8                                      |
| 25   | 10   | <b>590-354-3100</b> | Spacer ring            | D33.5/42x7                                   |
| 26   | 10   | <b>535-241-1310</b> | Planet gear            |                                              |
| 27   | 10   | <b>535-251-1410</b> | Planet gear shaft      |                                              |
| 28   | 2    | <b>591109-66052</b> | O-ring                 | D266x5.33                                    |
| 29   | 2    | <b>541-471-0410</b> | Planetary gear housing |                                              |
| 30   | 2    | <b>91201-22150</b>  | Seal ring              | D22/27x1.5 Cu                                |
| 31   | 2    | <b>90873-22109</b>  | Oil plug               | M22x1.5, Allen head                          |
| 32   | 2    | <b>91201-22150</b>  | Seal ring              | D22/27x1.5 Cu                                |
| 33   | 2    | <b>90871-22193</b>  | Plug screw             | M22x1.5, hex head                            |
| 34   | 2    | <b>541-404-0171</b> | Planetary gear         |                                              |
| 35   | 4    | <b>591122-12501</b> | Shaft seal             | CTI, D125/145x7.5/11,3                       |
| 36   | 2    | <b>540-415-1810</b> | Spacer ring            | CTI, D145/137x14.5                           |
| 37   | 2    | <b>591720-14501</b> | Retainer ring          | CTI, FK7-ESB - D145/6.0x1.5                  |
| 38   | 2    | <b>591107-05022</b> | O-ring                 | CTI, D105x2, superceded by item 591107-05252 |
| 38   | 2    | <b>591107-05252</b> | O-ring                 | CTI, D105x2.5                                |
| 39   | 2    | <b>91106-89532</b>  | O-ring                 | CTI, D89.5x3                                 |
| 40   | 2    | <b>579-615-0500</b> | Pipe                   | CTI, including fittings                      |



FSFPOAG4.DS4

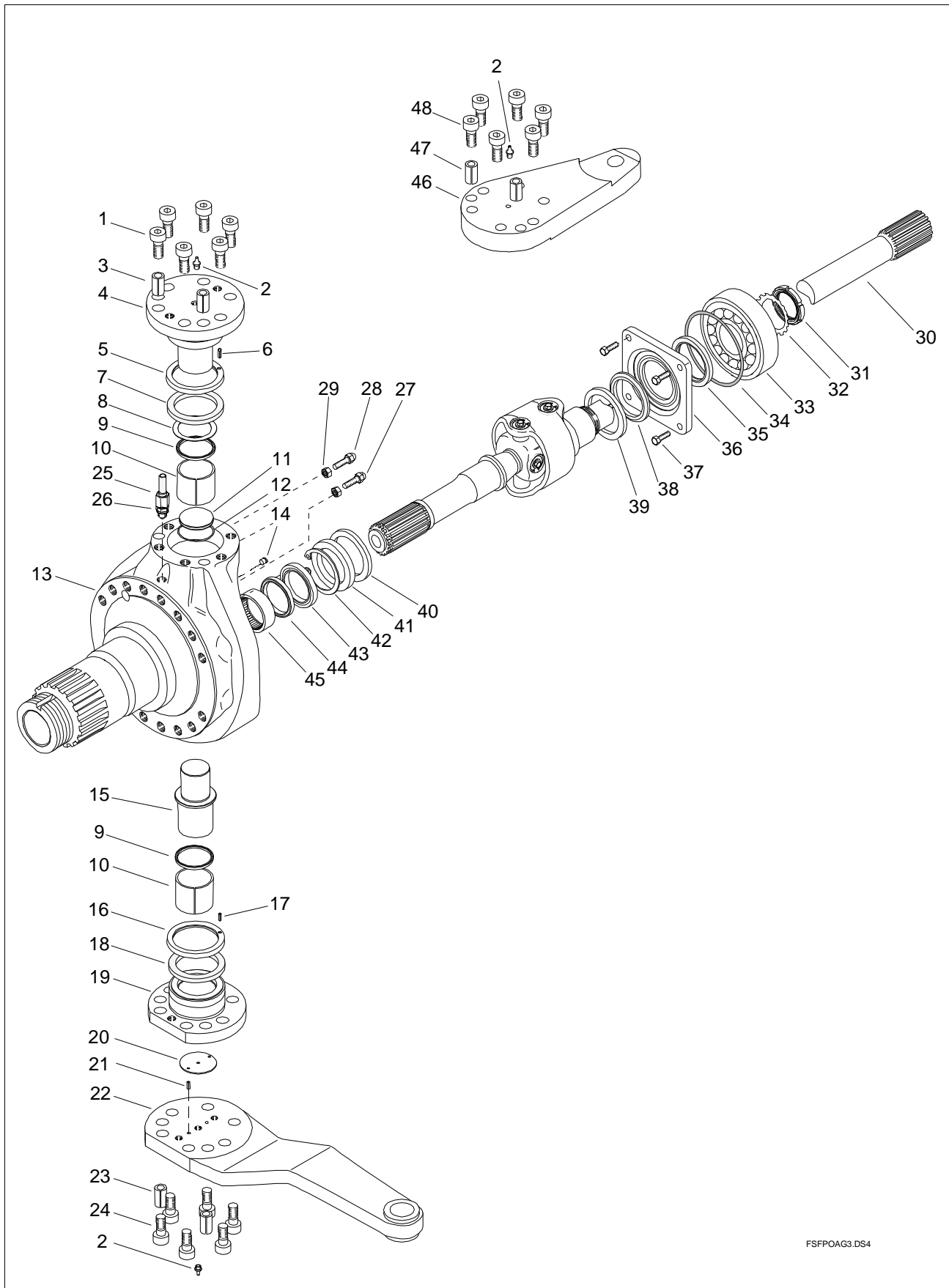
| Item | Qty. | Order no.           | Description              | Note                                     |
|------|------|---------------------|--------------------------|------------------------------------------|
| 1    | 1    | <b>541-502-0301</b> | Axle Shaft               | FSMP, RH                                 |
| 1    | 2    | <b>541-502-0311</b> | Axle Shaft               | FSDP                                     |
| 1    | 1    | <b>541-502-0401</b> | Axle Shaft               | FSMP, LH                                 |
| 2    | 2    | <b>590575-06040</b> | Lock Nut                 |                                          |
| 3    | 2    | <b>590735-06012</b> | Lock plate               |                                          |
| 4    | 2    | <b>591733-00601</b> | Spherical roller bearing |                                          |
| 5    | 2    | <b>591101-01045</b> | O-ring                   |                                          |
| 6    | 2    | <b>090-500-6501</b> | Shaft seal               |                                          |
| 7    | 2    | <b>541-532-0000</b> | Cover                    | For Gamma-seal, up to No. 00179 (1/2000) |
| 7    | 2    | <b>541-532-0010</b> | Cover                    | For Foam-seal, since No. 00179 (1/2000)  |
| 8    | 8    | <b>90303-10303</b>  | Hex Screw                | M10x30                                   |
| 9    | 2    | <b>590-561-0010</b> | Gasket                   | Foam-seal, with cover 541-532-0010       |
| 9    | 2    | <b>591123-06501</b> | Gamma-seal               | +2 pcs with cover 541-532-0000           |
| 10   | 2    | <b>092-957-8000</b> | Retainer ring            |                                          |
| 11   | 2    | <b>591122-06003</b> | Shaft seal               |                                          |
| 12   | 2    | <b>91122-06001</b>  | Shaft seal               |                                          |
| 13   | 2    | <b>591738-10601</b> | Needle bush              |                                          |
| 14   | 12   | <b>90311-16508</b>  | Allen Screw              | M16x50, w/o steering arms                |
| 15   | 4    | <b>91402-10003</b>  | Grease nipple            |                                          |
| 15   | 4    | <b>91421-06060</b>  | Shield hat               |                                          |
| 16   | 4    | <b>590602-18400</b> | Spring cotter            | D18x40, w/o steering arms                |
| 17   | 2    | <b>540-121-1710</b> | King pin                 |                                          |
| 18   | 2    | <b>090-400-7000</b> | Gamma-seal               |                                          |
| 19   | ar   | <b>590731-05621</b> | Shim                     | 0.2 mm                                   |
| 19   | ar   | <b>590731-05631</b> | Shim                     | 0.3 mm                                   |
| 19   | ar   | <b>590731-05651</b> | Shim                     | 0.5 mm                                   |
| 19   | ar   | <b>599-413-8100</b> | Spacer plate             | 1.0 mm                                   |
| 20   | 4    | <b>591222-05501</b> | Shaft seal               |                                          |
| 21   | 4    | <b>590-314-8110</b> | King pin bushing         |                                          |
| 22   | 2    | <b>579-616-0000</b> | Breather pipe            |                                          |
| 22   | 2    | <b>591937-04027</b> | Support ring             |                                          |
| 22   | 2    | <b>591952-40610</b> | Fitting                  | Angle Fitting 90°                        |
| 23   | 2    | <b>595-518-0110</b> | Plug                     |                                          |
| 24   | 2    | <b>541-141-1302</b> | Steering knuckle         |                                          |
| 25   | 2    | <b>590804-00060</b> | Plug                     |                                          |
| 26   | 2    | <b>540-121-1800</b> | King pin                 |                                          |
| 27   | 2    | <b>540-136-0210</b> | Bearing housing          |                                          |
| 28   | 2    | <b>599-413-8010</b> | Thrust washer            |                                          |
| 29   | 4    | <b>590602-04140</b> | Spring cotter            |                                          |
| 30   | 1    | <b>540-241-6300</b> | Tie rod arm              | RH                                       |
| 30   | 1    | <b>540-241-6310</b> | Tie rod arm              | LH                                       |
| 31   | 4    | <b>590602-18600</b> | Spring cotter            | D18x60                                   |
| 32   | 12   | <b>90311-16608</b>  | Allen Screw              | M16x60                                   |
| 33   | 2    | <b>590-561-0000</b> | Gasket                   | Foam-seal, oil before installation       |
| 34   | 2    | <b>591101-04720</b> | O-ring                   |                                          |
| 35   | 2    | <b>140-249-1210</b> | Stop screw               |                                          |
| 36   | 2    | <b>140-249-1500</b> | Stop screw               |                                          |
| 37   | 4    | <b>90502-16243</b>  | Nut                      |                                          |
| 38   | 1    | <b>540-261-6200</b> | Steering arm             | RH                                       |
| 38   | 1    | <b>540-261-6210</b> | Steering arm             | LH                                       |
| 39   | ar   | <b>590602-18700</b> | Spring cotter            | D18x70, 2 pcs per steering arm           |
| 40   | ar   | <b>90311-16908</b>  | Allen Screw              | M16x90, 6 pcs per steering arm           |



FSFPOAG3.DS4

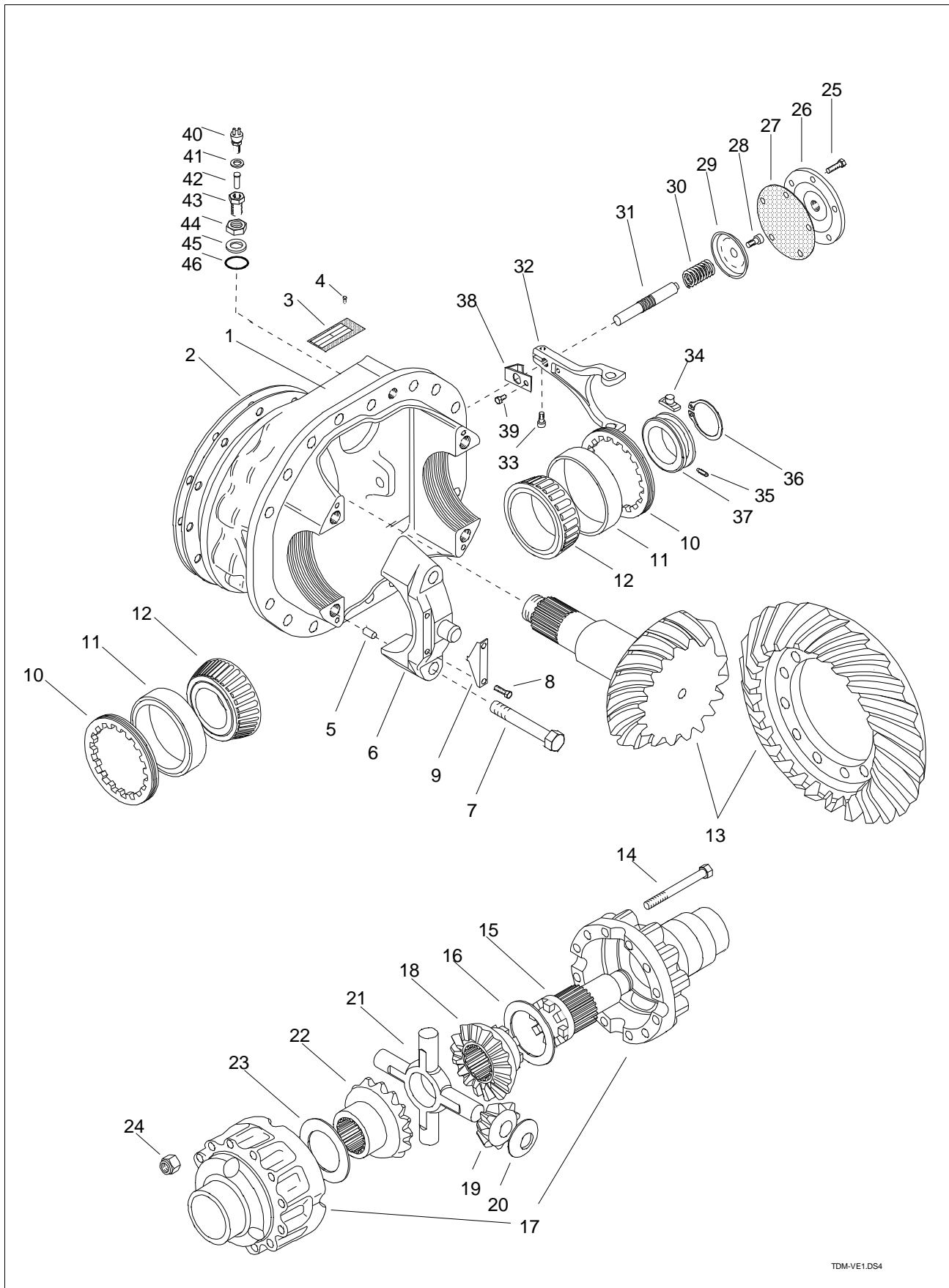


| Item | Qty. | Order no.           | Description              | Note                                    |
|------|------|---------------------|--------------------------|-----------------------------------------|
| 1    | 12   | <b>90311-16508</b>  | Allen Screw              | M16x50, w/o steering arms               |
| 2    |      | <b>91402-10003</b>  | Grease nipple            | M10x1, Straight                         |
| 2    | 4    | <b>91421-06060</b>  | Shield hat               |                                         |
| 3    | 4    | <b>590602-18400</b> | Spring cotter            | D18x40, w/o steering arms               |
| 4    | 2    | <b>540-121-2010</b> | King pin                 |                                         |
| 5    | 2    | <b>590-722-1200</b> | Protective cup           | D79.5/93x10.5                           |
| 6    | 2    | <b>590602-03100</b> | Spring cotter            | D3x10 mm                                |
| 7    | 2    | <b>590-561-0110</b> | Gasket                   | Foam-seal, Oil before installation      |
| 8    | ar   | <b>590731-05621</b> | Shim                     | 0.2 mm                                  |
| 8    | ar   | <b>590731-05631</b> | Shim                     | 0.3 mm                                  |
| 8    | ar   | <b>590731-05651</b> | Shim                     | 0.5 mm                                  |
| 8    | ar   | <b>599-413-8100</b> | Spacer plate             | 1.0 mm                                  |
| 9    | 4    | <b>591222-05501</b> | Shaft seal               | D55/63x5.0                              |
| 10   | 4    | <b>590-314-8110</b> | King pin bushing         | D60/55x50                               |
| 11   | 2    | <b>595-518-0110</b> | Plug                     | D50x6                                   |
| 12   | 2    | <b>591101-04720</b> | O-ring                   | D47x2                                   |
| 13   | 2    | <b>541-141-1303</b> | Steering knuckle         | W/o CTI-system                          |
| 13   | 2    | <b>541-141-1600</b> | Steering knuckle         | With CTI-system                         |
| 14   | 2    | <b>590804-00060</b> | Plug                     | Not serviced separately                 |
| 15   | 2    | <b>540-121-1800</b> | King pin                 |                                         |
| 16   | 2    | <b>590-722-1210</b> | Protective cup           | D65/93x11                               |
| 17   | 2    | <b>590111-29064</b> | Rivet                    | 2.89x6.35                               |
| 18   | 2    | <b>590-561-0200</b> | Gasket                   | Foam-seal, Oil before installation      |
| 19   | 2    | <b>540-136-0301</b> | Bearing housing          |                                         |
| 20   | 2    | <b>599-413-8010</b> | Thrust washer            | D55x2.5                                 |
| 21   | 4    | <b>590602-04140</b> | Spring cotter            | D4x14                                   |
| 22   | 1    | <b>540-241-6300</b> | Tie rod arm              | RH, L=420 mm, Taper 1:10                |
| 22   | 1    | <b>540-241-6310</b> | Tie rod arm              | LH, L=420 mm, Taper 1:10                |
| 23   | 4    | <b>590602-18600</b> | Spring cotter            | D18x60                                  |
| 24   | 12   | <b>90311-16608</b>  | Allen Screw              | M16x60                                  |
| 25   | 2    | <b>579-616-0000</b> | Breather pipe            | D6x1, L=1500, up to S/N 151801 (4/2005) |
| 25   | 2    | <b>579-616-0010</b> | Breather pipe            | D8/6, L=1500, since S/N 151802 (4/2005) |
| 25   | 2    | <b>591937-04027</b> | Support ring             | D4, up to S/N 151801 (4/2005)           |
| 25   | 2    | <b>591937-06027</b> | Support ring             | D6, since S/N 151802 (4/2005)           |
| 26   | 2    | <b>591952-40610</b> | Fitting                  | M10x1, D6, up to S/N 151801 (4/2005)    |
| 26   | 2    | <b>591952-40810</b> | Fitting                  | M10x1, D8/6, since S/N 151802 (4/2005)  |
| 27   | 2    | <b>140-249-1210</b> | Stop screw               | Total L=52mm (42 degree steering angle) |
| 27   | 2    | <b>140-249-1400</b> | Stop screw               | Total L=80mm (15 degree steering angle) |
| 28   | 2    | <b>140-249-1400</b> | Stop screw               | Total L=80mm (15 degree steering angle) |
| 28   | 2    | <b>140-249-1500</b> | Stop screw               | Total L=65mm (42 degree steering angle) |
| 29   | 4    | <b>90502-16243</b>  | Nut                      | M16                                     |
| 30   | 1    | <b>541-502-0301</b> | Axle Shaft               | RH, L=1150, Track 2360                  |
| 30   | 1    | <b>541-502-0401</b> | Axle Shaft               | LH, L=1255, Track 2360                  |
| 30   | 1    | <b>541-502-0401</b> | Axle Shaft               | RH, L=1255, Track 2580                  |
| 30   | 1    | <b>541-502-0441</b> | Axle Shaft               | LH, L=1345, Track 2580                  |
| 31   | 2    | <b>590575-06040</b> | Lock Nut                 | M60x2, KM12                             |
| 32   | 2    | <b>590735-06012</b> | Lock plate               | MB12, D60x1.5                           |
| 33   | 2    | <b>591733-00601</b> | Spherical roller bearing | D60/110x28                              |
| 34   | 2    | <b>591101-01045</b> | O-ring                   | D101x4.5                                |
| 35   | 2    | <b>090-500-6501</b> | Shaft seal               | D65/90x10                               |
| 36   | 2    | <b>541-532-0010</b> | Cover                    | For Foam-seal                           |
| 37   | 8    | <b>90303-10303</b>  | Hex Screw                | M10x30                                  |
| 38   | 2    | <b>590-561-0300</b> | Gasket                   | Foam-seal, Oil before installation      |
| 39   | 2    | <b>590-711-9110</b> | Protective cup           | D85x9                                   |
| 40   | 2    | <b>590-711-9100</b> | Seal housing             |                                         |
| 41   | 2    | <b>590-561-0210</b> | Gasket                   | Foam-seal, Oil before installation      |
| 42   | 2    | <b>092-957-8000</b> | Retainer ring            | D80x2.5                                 |
| 43   | 2    | <b>591122-06003</b> | Shaft seal               | D60/80x12                               |
| 44   | 2    | <b>91122-06001</b>  | Shaft seal               | D60/75x8                                |
| 45   | 2    | <b>591738-10601</b> | Needle bush              | D60/72x35                               |



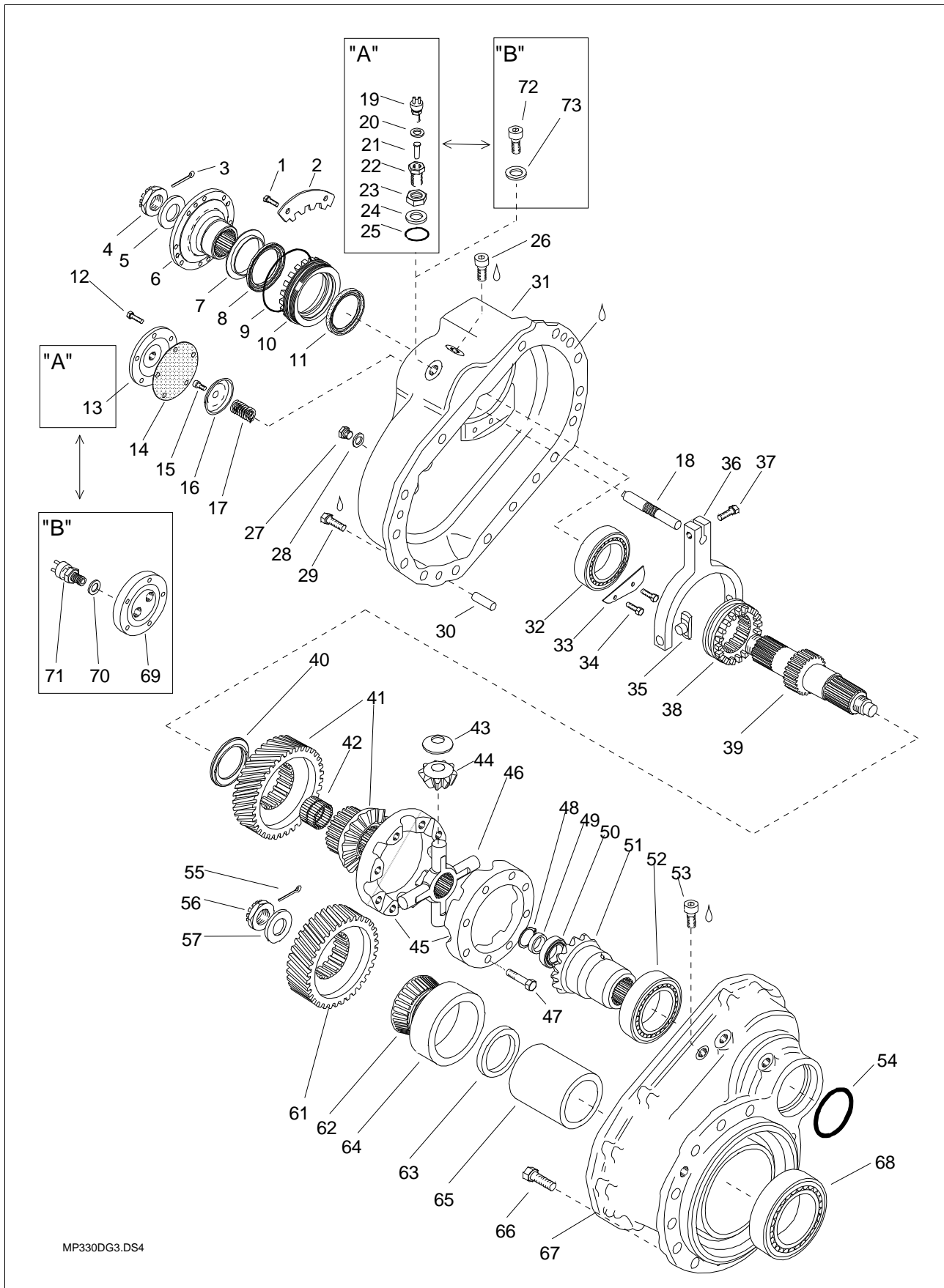
FSFPOAG3.DS4

| Item | Qty. | Order no.           | Description   | Note                                           |
|------|------|---------------------|---------------|------------------------------------------------|
| 46   | 2    | <b>504-0310-301</b> | Steering arm  | L=216 mm, Taper 1:8 (L=34), big end down       |
| 46   | 1    | <b>504-0310-302</b> | Steering arm  | LH, L=271 mm, Taper 1:8 (L=34), big end down   |
| 46   | 1    | <b>504-0310-303</b> | Steering arm  | RH, L=271 mm, Taper 1:8 (L=34), big end down   |
| 46   | 1    | <b>540-261-6200</b> | Steering arm  | RH, L=215 mm, Taper 1:8 (L=34), big end down   |
| 46   | 1    | <b>540-261-6210</b> | Steering arm  | LH, L=215 mm, Taper 1:8 (L=34), big end down   |
| 46   | 1    | <b>540-261-7500</b> | Steering arm  | RH, L=271 mm, Taper 1:8 (L=32.3), big end down |
| 46   | 1    | <b>540-261-7510</b> | Steering arm  | LH, L=271 mm, Taper 1:8 (L=32.3), big end down |
| 47   | ar   | <b>590602-18700</b> | Spring cotter | D18x70, 2 pcs per steering arm                 |
| 48   | ar   | <b>590311-16808</b> | Allen Screw   | M16x80, 6 pcs per steering arm                 |

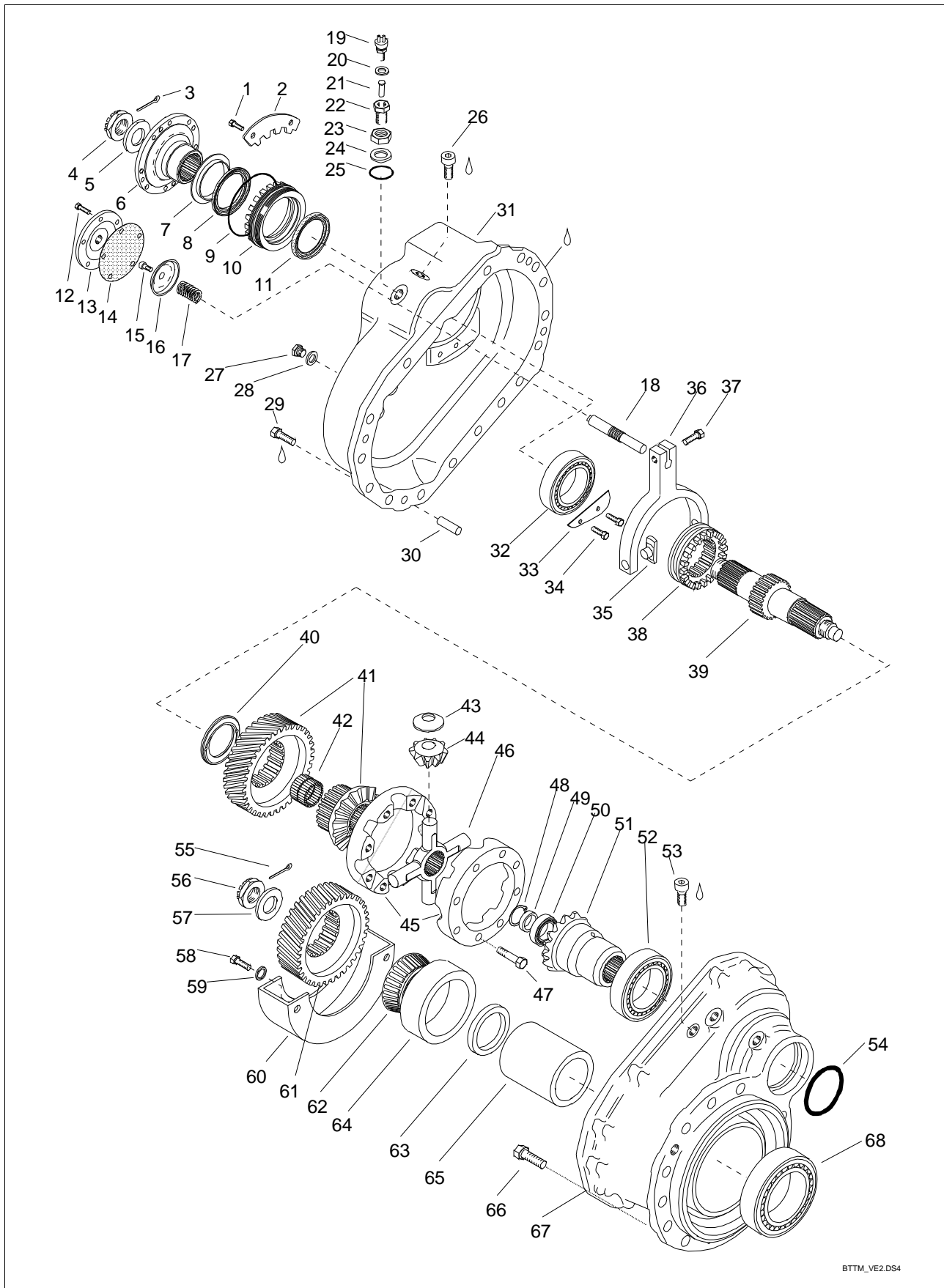


TDM-VE1.DS4

| Item | Qty. | Order no.    | Description              | Note                                      |
|------|------|--------------|--------------------------|-------------------------------------------|
| 1    | 1    | 144-210-1911 | Differential Carrier     | Inc. Bearing Case Halfs                   |
| 2    | ar   | 144-239-2000 | Shim                     | (1.0 mm)                                  |
| 2    | ar   | 144-239-2001 | Shim                     | (0.5 mm)                                  |
| 2    | ar   | 144-239-2002 | Shim                     | (0.2 mm)                                  |
| 2    | ar   | 144-239-2003 | Shim                     | (0.1 mm)                                  |
| 3    | 1    | 91600-20811  | Name plate               |                                           |
| 4    | 4    | 90111-29054  | Rivet                    |                                           |
| 5    | 4    | 590604-08141 | Pin                      | Ø8x14                                     |
| 6    | 2    | 143-214-2180 | Bearing Case Half        | Not Serviced Separately                   |
| 7    | 4    | 90301-20377  | Hex Screw                |                                           |
| 8    | 4    | 90303-08103  | Hex Screw                | M8x10                                     |
| 9    | 2    | 143-227-0610 | Lock plate               |                                           |
| 10   | 2    | 143-226-0012 | Adjusting nut            |                                           |
| 11   | 2    | 090-121-4700 | Bearing outer race       |                                           |
| 12   | 2    | 090-110-9000 | Bearing inner race       |                                           |
| 13   | 1    | 143-240-3351 | Ring and pinion gear set | Final Ratio 8.79                          |
| 13   | 1    | 143-240-3381 | Ring and pinion gear set | Final Ratio 10.55                         |
| 14   | 12   | 90321-16538  | Hex Screw                |                                           |
| 15   | 1    | 144-341-1700 | Sliding Gear             |                                           |
| 16   | 1    | 090-359-7000 | Thrust washer            |                                           |
| 17   | 1    | 143-310-3811 | Diff. case assy          |                                           |
| 18   | 1    | 543-351-4310 | Side gear                |                                           |
| 19   | 4    | 143-341-0700 | Pinion gear              |                                           |
| 20   | 4    | 143-345-0400 | Thrust washer            |                                           |
| 21   | 1    | 143-331-0603 | Spider                   |                                           |
| 22   | 1    | 543-351-4210 | Side gear                |                                           |
| 23   | 1    | 090-357-5000 | Thrust washer            |                                           |
| 24   | 12   | 90556-16247  | Nut                      |                                           |
| 25   | 5    | 90303-08203  | Hex Screw                |                                           |
| 26   | 1    | 172-161-0700 | Membrane cover           | M18x1.5                                   |
| 26   | 1    | 172-161-0701 | Membrane cover           | M16x1.5                                   |
| 27   | 1    | 172-351-1202 | Membrane                 |                                           |
| 28   | 1    | 90319-08206  | Screw                    |                                           |
| 29   | 1    | 172-361-0410 | Push plate               |                                           |
| 30   | 1    | 097-122-0100 | Return spring            |                                           |
| 31   | 1    | 172-212-1710 | Sliding Shaft            |                                           |
| 32   | 1    | 144-751-1210 | Control fork             | w/o diff. lock indicator switch           |
| 32   | 1    | 544-751-1410 | Control fork             | With optional diff. lock indicator switch |
| 33   | 1    | 90313-06208  | Allen Screw              |                                           |
| 34   | 2    | 133-348-0710 | Sliding shoe             |                                           |
| 35   | 1    | 90335-05108  | Stopping screw           |                                           |
| 36   | 1    | 91711-06500  | Retainer ring            |                                           |
| 37   | 1    | 144-348-0000 | Sliding ring             |                                           |
| 38   | 1    | 541-812-0200 | Guide plate              | With optional diff. lock indicator switch |
| 39   | 1    | 90303-08123  | Hex Screw                | With optional diff. lock indicator switch |
| 40   | 1    | 186-490-0281 | Signal Lamp Switch       | Optional                                  |
| 41   | 1    | 91201-12150  | Seal ring                | Optional                                  |
| 42   | 1    | 141-812-0100 | Control pin              | Optional                                  |
| 43   | 1    | 141-812-0000 | Binding screw            | Optional                                  |
| 44   | 1    | 91842-18243  | Lock Nut                 | Optional                                  |
| 45   | 1    | 91838-18010  | Pressure ring            | Optional                                  |
| 46   | 1    | 91838-18100  | O-ring                   | Optional                                  |



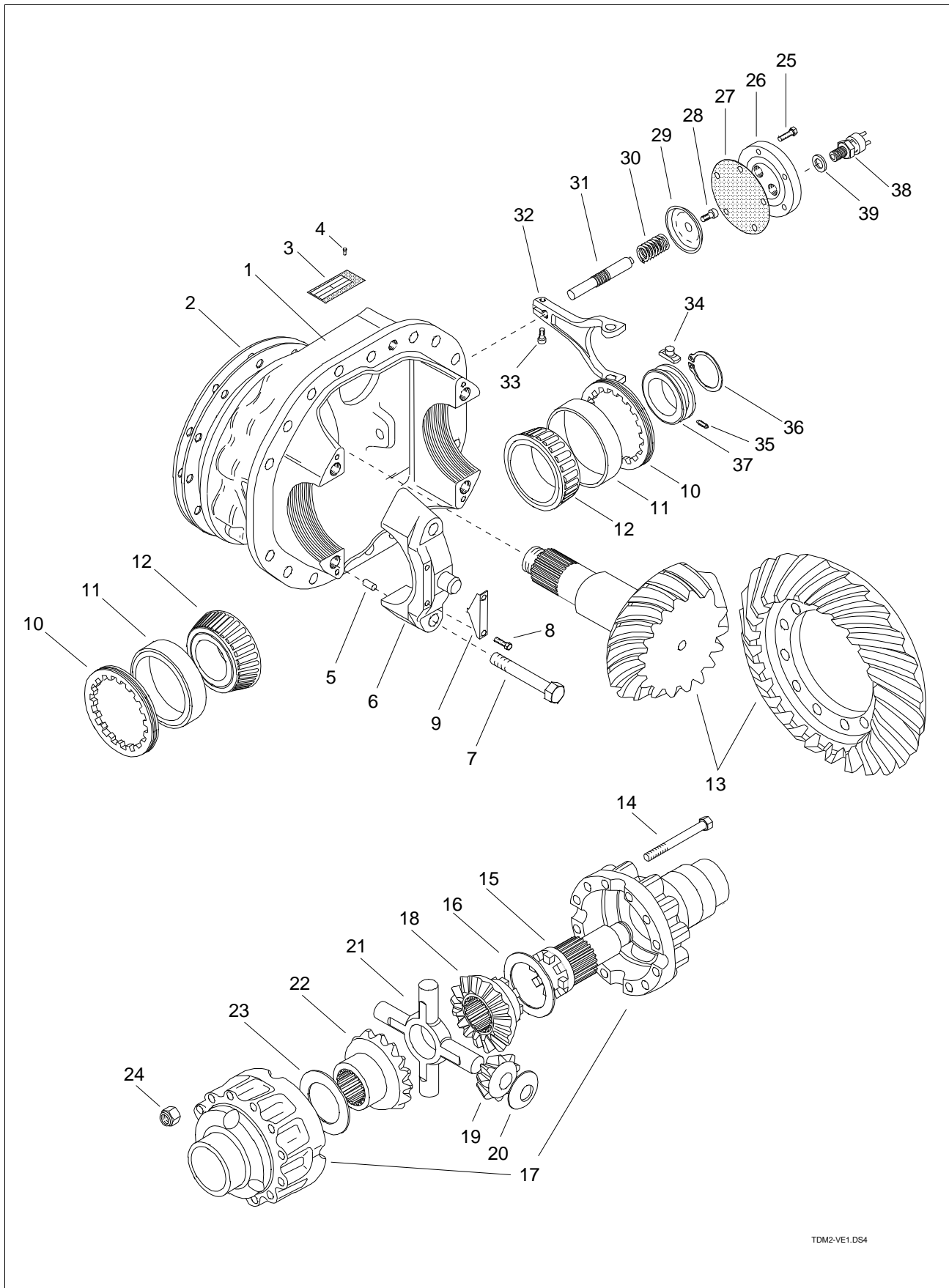
| Item | Qty. | Order no.    | Description         | Note                                     |
|------|------|--------------|---------------------|------------------------------------------|
| 1    | 2    | 90303-08203  | Hex Screw           | M8x20                                    |
| 2    | 1    | 143-227-0710 | Lock plate          |                                          |
| 3    | 1    | 90621-63633  | Split pin           | 6.3x63                                   |
| 4    | 1    | 90546-42653  | Nut                 | M42x1.5                                  |
| 5    | 1    | 90705-43069  | washer              | D43/80x6                                 |
| 6    | 1    | 138-918-0400 | Flange              | HS1700-1800                              |
| 6    | 1    | 138-918-0401 | Flange              | ISO 8667 - T180                          |
| 7    | 1    | 090-711-9010 | Shield              |                                          |
| 8    | 1    | 090-400-9500 | V-ring              | VS-95                                    |
| 9    | 1    | 91101-39530  | O-ring              | D139.5x3                                 |
| 10   | 1    | 143-226-1200 | Adjusting nut       |                                          |
| 11   | 1    | 91122-08505  | Shaft seal          | D85/105x10                               |
| 12   | 5    | 90303-08203  | Hex Screw           | M8x20                                    |
| 13   | 1    | 172-161-0700 | Membrane cover      | M18x1.5, up to 2/1996                    |
| 13   | 1    | 172-161-0701 | Membrane cover      | M16x1.5, since 2/1996                    |
| 14   | 1    | 172-351-1202 | Membrane            |                                          |
| 15   | 1    | 90319-08206  | Screw               | M8x20                                    |
| 16   | 1    | 172-361-0410 | Push plate          | D70x12                                   |
| 17   | 1    | 097-122-0100 | Return spring       | D29.5x43                                 |
| 18   | 1    | 172-212-1710 | Sliding Shaft       | D16/20x125                               |
| 19   | 1    | 186-490-0281 | Signal Lamp Switch  | M12x1.5                                  |
| 20   | 1    | 91201-12150  | Seal ring           | D12/18x1.5                               |
| 21   | 1    | 141-812-0100 | Control pin         | D8/10x26                                 |
| 22   | 1    | 141-812-0000 | Binding screw       | M12x1.5/M18x1.5                          |
| 23   | 1    | 91842-18243  | Lock Nut            | M18x1.5                                  |
| 24   | 1    | 91838-18010  | Pressure ring       | Ms DR/R 18x23                            |
| 25   | 1    | 91838-18100  | O-ring              | Ø16x2.5                                  |
| 26   | 1    | 90873-10053  | Plug screw          | M10x1, Allen head                        |
| 27   | 2    | 90871-22193  | Plug screw          | 1 pc since serial No. 02040, 7/2000      |
| 28   | 2    | 91201-22150  | Seal ring           | 1 pc since serial No. 02040, 7/2000      |
| 29   | 16   | 90303-12308  | Hex Screw           | M12x30                                   |
| 30   | 2    | 90604-10201  | Cotter Pin          | D10x20                                   |
| 31   | 1    | 144-221-0600 | Diff. Carrier Cover | Without Pressure Lubrication             |
| 32   | 1    | 91744-00704  | T. Roller bearing   |                                          |
| 33   | 1    | 146-167-1000 | Oil Plate           | Up to ser. No. 61919 (8/96)              |
| 33   | 1    | 546-167-1101 | Oil Plate           | Supersedes: 146-167-1010 ja 546-167-1100 |
| 34   | 2    | 90303-08203  | Hex Screw           | 1 piece up to ser. No. 61919 (8/96)      |
| 35   | 2    | 133-348-1701 | Sliding shoe        |                                          |
| 36   | 1    | 144-751-1300 | Control fork        |                                          |
| 37   | 1    | 90313-08208  | Allen Screw         | M8x20                                    |
| 38   | 1    | 144-274-0710 | Sliding ring        |                                          |
| 39   | 1    | 144-251-3300 | Intermediate Shaft  |                                          |
| 40   | 1    | 144-282-0013 | Thrust washer       | D64/99x6                                 |
| 41   | 1    | 144-269-0600 | Gear Assembly       |                                          |
| 42   | 1    | 91738-40621  | Needle bush         |                                          |
| 43   | 4    | 143-345-0400 | Thrust washer       | D29/65x1.5                               |
| 44   | 4    | 143-341-0700 | Pinion gear         |                                          |
| 45   | 1    | 143-310-3611 | Diff. case assy     |                                          |
| 46   | 1    | 143-331-1900 | Spider              |                                          |
| 47   | 8    | 90301-12703  | Hex Screw           | M12x70                                   |
| 48   | 1    | 91711-05600  | Retainer ring       | D56x2                                    |
| 49   | ar   | 90731-03510  | Shim                | (0.1 mm)                                 |
| 49   | ar   | 90731-03520  | Shim                | (0.2 mm)                                 |
| 49   | ar   | 90731-03550  | Shim                | (0.5 mm)                                 |
| 49   | ar   | 90732-03510  | Shim                | (1.0 mm)                                 |
| 50   | 1    | 91744-00351  | T. Roller bearing   |                                          |



BTTM\_VE2.DS4

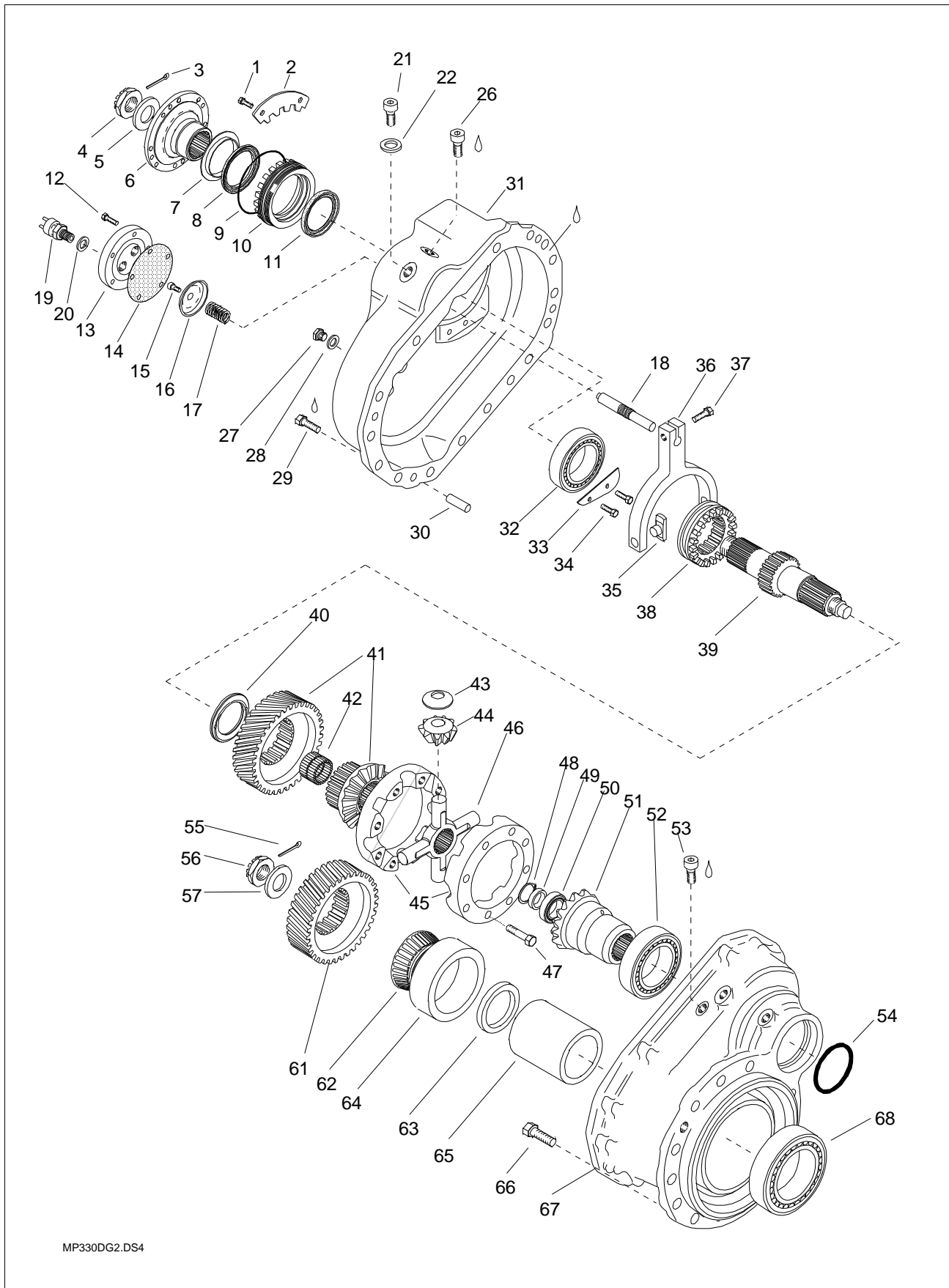


| Item | Qty. | Order no.           | Description           | Note                        |
|------|------|---------------------|-----------------------|-----------------------------|
| 51   | 1    | <b>143-351-3700</b> | Side gear             |                             |
| 52   | 1    | <b>91744-00951</b>  | T. Roller bearing     |                             |
| 53   | 1    | <b>90873-10053</b>  | Plug screw            | M10x1, Allen head           |
| 54   | 1    | <b>591106-99532</b> | O-ring                | D99.5x3                     |
| 55   | 1    | <b>90621-63633</b>  | Split pin             | D6.3x63                     |
| 56   | 1    | <b>90546-42653</b>  | Nut                   | M42x1.5                     |
| 57   | 1    | <b>90705-43069</b>  | washer                | D43/80x6                    |
| 58   | 3    | <b>90318-08163</b>  | Screw                 | Up to ser. No. 61919 (8/96) |
| 59   | 3    | <b>90705-08423</b>  | washer                | Up to ser. No. 61919 (8/96) |
| 60   | 1    | <b>146-167-0910</b> | Oil trough            | Up to ser. No. 61919 (8/96) |
| 61   | 1    | <b>144-261-1900</b> | Gear                  |                             |
| 62   | 1    | <b>090-110-6740</b> | Bearing inner race    |                             |
| 63   | ar   | <b>099-516-7000</b> | Shim                  | (0.1 mm)                    |
| 63   | ar   | <b>099-516-7001</b> | Shim                  | (0.3 mm)                    |
| 63   | ar   | <b>099-516-7002</b> | Shim                  | (0.5 mm)                    |
| 63   | ar   | <b>099-516-7003</b> | Shim                  | (0.25 mm)                   |
| 64   | 1    | <b>090-121-3700</b> | Bearing outer race    |                             |
| 65   | ar   | <b>143-261-0700</b> | Spacer ring           | L=94.20 mm                  |
| 65   | ar   | <b>143-261-0701</b> | Spacer ring           | L=94.15 mm                  |
| 65   | ar   | <b>143-261-0702</b> | Spacer ring           | L=94.18 mm                  |
| 65   | ar   | <b>143-261-0703</b> | Spacer ring           | L=94.12 mm                  |
| 66   | 12   | <b>90303-16407</b>  | Hex Screw             | M16x40, 10.9                |
| 67   | 1    | <b>144-211-1300</b> | Diff. Carrier Housing |                             |
| 68   | 1    | <b>91744-00681</b>  | T. Roller bearing     |                             |



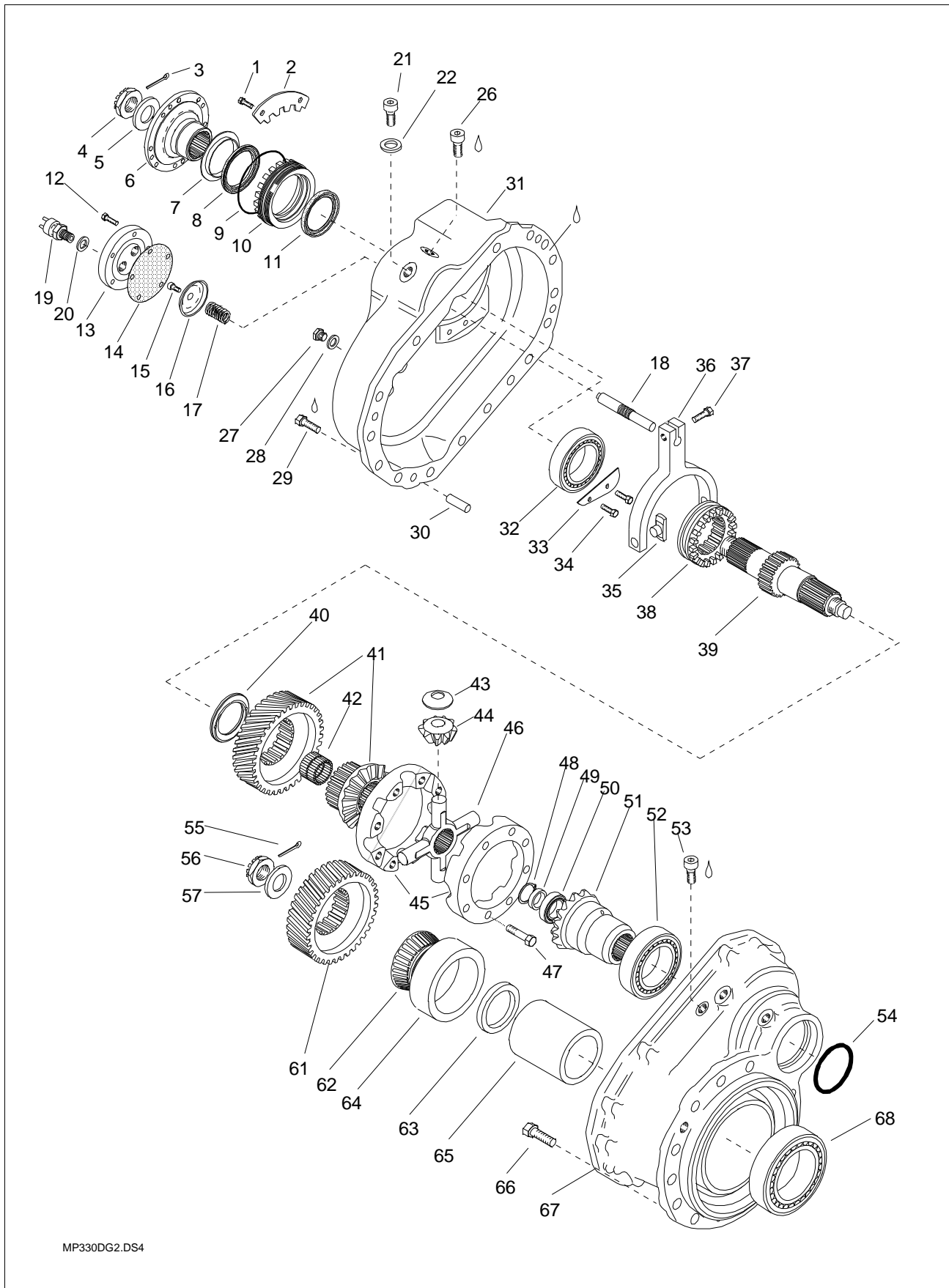
TDM2-VE1.DS4

| Item | Qty. | Order no.           | Description              | Note                              |
|------|------|---------------------|--------------------------|-----------------------------------|
| 1    | 1    | <b>144-210-1911</b> | Differential Carrier     | Inc. Bearing Case Halfs and Bolts |
| 2    | ar   | <b>144-239-2000</b> | Shim                     | (1.0 mm)                          |
| 2    | ar   | <b>144-239-2001</b> | Shim                     | (0.5 mm)                          |
| 2    | ar   | <b>144-239-2002</b> | Shim                     | (0.2 mm)                          |
| 2    | ar   | <b>144-239-2003</b> | Shim                     | (0.1 mm)                          |
| 3    | 1    | <b>591600-20823</b> | Name plate               |                                   |
| 4    | 4    | <b>90111-29054</b>  | Rivet                    | D2.9x5                            |
| 5    | 4    | <b>590604-08141</b> | Pin                      | 8x14                              |
| 6    | 2    | <b>143-214-2180</b> | Bearing Case Half        | Not Serviced Separately           |
| 7    | 4    | <b>90301-20377</b>  | Hex Screw                | M20x130                           |
| 8    | 4    | <b>90303-08103</b>  | Hex Screw                | M8x10                             |
| 9    | 2    | <b>143-227-0610</b> | Lock plate               |                                   |
| 10   | 2    | <b>143-226-0012</b> | Adjusting nut            | D149                              |
| 11   | 2    | <b>090-121-4700</b> | Bearing outer race       |                                   |
| 12   | 2    | <b>090-110-9000</b> | Bearing inner race       |                                   |
| 13   | 1    | <b>543-240-6119</b> | Ring and pinion gear set | 14/27, FR 7.01                    |
| 13   | 1    | <b>543-240-6129</b> | Ring and pinion gear set | 16/28, FR 6.36                    |
| 13   | 1    | <b>543-240-6151</b> | Ring and pinion gear set | 12/29, FR 8.79                    |
| 13   | 1    | <b>543-240-6181</b> | Ring and pinion gear set | 10/29, FR 10.55                   |
| 13   | 1    | <b>543-240-6289</b> | Ring and pinion gear set | 13/34, FR 9.51                    |
| 14   | 12   | <b>90321-16538</b>  | Hex Screw                | M16x1.5                           |
| 15   | 1    | <b>144-341-1700</b> | Sliding Gear             |                                   |
| 16   | 1    | <b>090-359-7000</b> | Thrust washer            | D97/127x3                         |
| 17   | 1    | <b>143-310-3811</b> | Diff. case assy          |                                   |
| 18   | 1    | <b>543-351-4310</b> | Side gear                | D55/Z26                           |
| 19   | 4    | <b>143-341-0700</b> | Pinion gear              |                                   |
| 20   | 4    | <b>143-345-0400</b> | Thrust washer            | D29/65x1.5                        |
| 21   | 1    | <b>143-331-0603</b> | Spider                   |                                   |
| 22   | 1    | <b>543-351-4210</b> | Side gear                | D55/Z26                           |
| 23   | 1    | <b>090-357-5000</b> | Thrust washer            | D75/111x3                         |
| 24   | 12   | <b>90556-16247</b>  | Nut                      | M16x1.5                           |
| 25   | 5    | <b>90303-08203</b>  | Hex Screw                | M8x20                             |
| 26   | 1    | <b>572-161-1502</b> | Membrane cover           | For Signal Lamp Switch            |
| 27   | 1    | <b>172-351-1202</b> | Membrane                 |                                   |
| 28   | 1    | <b>90319-08206</b>  | Screw                    | M8x20                             |
| 29   | 1    | <b>172-361-0410</b> | Push plate               |                                   |
| 30   | 1    | <b>097-122-0100</b> | Return spring            |                                   |
| 31   | 1    | <b>172-212-1710</b> | Sliding Shaft            |                                   |
| 32   | 1    | <b>144-751-1210</b> | Control fork             |                                   |
| 33   | 1    | <b>90313-06208</b>  | Allen Screw              | M6x20                             |
| 34   | 2    | <b>133-348-0710</b> | Sliding shoe             |                                   |
| 35   | 1    | <b>90335-05108</b>  | Stopping screw           | M5x10                             |
| 36   | 1    | <b>91711-06500</b>  | Retainer ring            | D65                               |
| 37   | 1    | <b>144-348-0000</b> | Sliding ring             |                                   |
| 38   | 1    | <b>586-490-0381</b> | Signal Lamp Switch       | M18x1.5                           |
| 39   | 1    | <b>91201-18150</b>  | Seal ring                | D18/22x1.5 Cu                     |



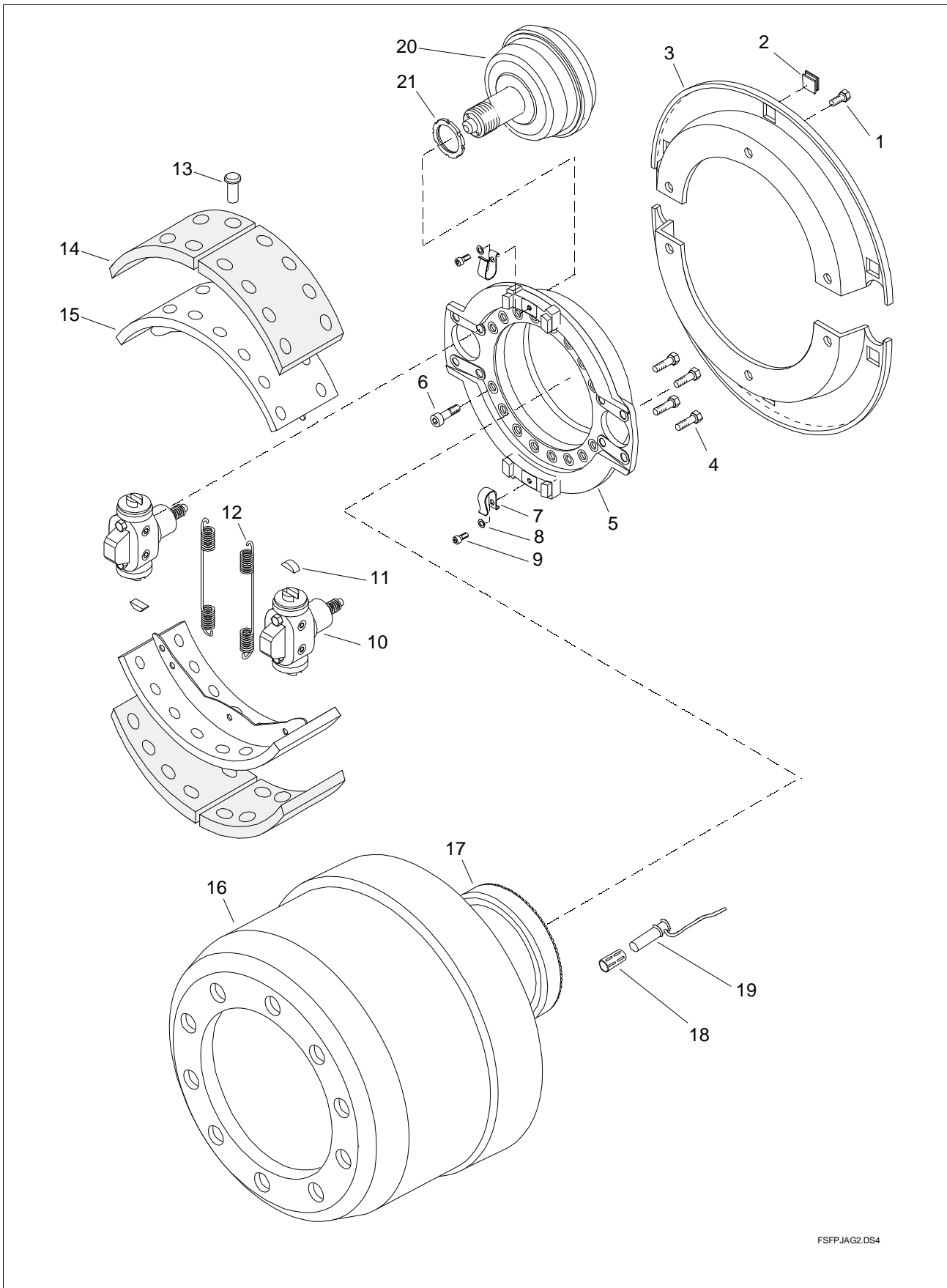
MP330DG2.DS4

| Item | Qty. | Order no.    | Description         | Note                             |
|------|------|--------------|---------------------|----------------------------------|
| 1    | 2    | 90303-08203  | Hex Screw           | M8x20                            |
| 2    | 1    | 143-227-0710 | Lock plate          |                                  |
| 3    | 1    | 90621-63633  | Split pin           | 6.3x63                           |
| 4    | 1    | 90546-42653  | Nut                 | M42x1.5                          |
| 5    | 1    | 90705-43069  | washer              | D43/80x6                         |
| 6    | 1    | 138-918-0400 | Flange              | HS1700-1800, S/N 143556 only     |
| 6    | 1    | 138-918-0401 | Flange              | ISO 8667 - T180, S/N 143556 only |
| 6    | 1    | 538-918-1610 | Flange              | HS 1700/1800, for cassette seal  |
| 6    | 1    | 538-918-1611 | Flange              | ISO 8667-T180, for cassette seal |
| 7    | 1    | 090-711-9010 | Shield              | S/N 143556 only                  |
| 8    | 1    | 090-400-9500 | V-ring              | VS-95, S/N 143556 only           |
| 8    | 1    | 591122-08507 | Shaft seal          | Cassette seal D85/120x9/20       |
| 9    | 1    | 91101-39530  | O-ring              | D139.5x3                         |
| 10   | 1    | 143-226-1200 | Adjusting nut       | S/N 143556 only                  |
| 10   | 1    | 543-226-1400 | Adjusting nut       | For cassette seal                |
| 11   | 1    | 91122-08505  | Shaft seal          | D85/105x10, S/N 143556 only      |
| 12   | 5    | 90303-08203  | Hex Screw           | M8x20                            |
| 13   | 1    | 572-161-1502 | Membrane cover      |                                  |
| 14   | 1    | 172-351-1202 | Membrane            |                                  |
| 15   | 1    | 90319-08206  | Screw               | M8x20                            |
| 16   | 1    | 172-361-0410 | Push plate          |                                  |
| 17   | 1    | 097-122-0100 | Return spring       |                                  |
| 18   | 1    | 172-212-1710 | Sliding Shaft       |                                  |
| 19   | 1    | 586-490-0381 | Signal Lamp Switch  | M18x1.5                          |
| 20   | 1    | 91201-18150  | Seal ring           | D18/22x1.5 Cu                    |
| 21   | 1    | 90871-18173  | Plug screw          | M18x1.5                          |
| 22   | 1    | 91201-18150  | Seal ring           | D18/22x1.5 Cu                    |
| 26   | 1    | 90873-10053  | Plug screw          | M10x1, Allen head                |
| 27   | 1    | 90871-22193  | Plug screw          | M22x1.5, hex head                |
| 28   | 1    | 91201-22150  | Seal ring           | D22/27x1.5 Cu                    |
| 29   | 16   | 90303-12308  | Hex Screw           | M12x30                           |
| 30   | 2    | 90604-10201  | Cotter Pin          | D10x20                           |
| 31   | 1    | 144-221-0600 | Diff. Carrier Cover |                                  |
| 32   | 1    | 91744-00704  | T. Roller bearing   |                                  |
| 33   | 1    | 546-167-1101 | Oil Plate           |                                  |
| 34   | 2    | 90303-08203  | Hex Screw           | M8x20                            |
| 35   | 2    | 133-348-1701 | Sliding shoe        |                                  |
| 36   | 1    | 144-751-1300 | Control fork        |                                  |
| 37   | 1    | 90313-08208  | Allen Screw         | M8x20                            |
| 38   | 1    | 544-274-0910 | Sliding Ring        |                                  |
| 39   | 1    | 144-251-3300 | Intermediate Shaft  |                                  |



MP330DG2.DS4

| Item | Qty. | Order no.           | Description           | Note              |
|------|------|---------------------|-----------------------|-------------------|
| 40   | 1    | <b>144-282-0013</b> | Thrust washer         | D64/99x6          |
| 41   | 1    | <b>544-269-1610</b> | Gear assembly         | Z28               |
| 42   | 1    | <b>91738-40621</b>  | Needle bush           |                   |
| 43   | 4    | <b>143-345-0400</b> | Thrust washer         | D29/65x1.5        |
| 44   | 4    | <b>143-341-0700</b> | Pinion gear           |                   |
| 45   | 1    | <b>143-310-3611</b> | Diff. case assy       |                   |
| 46   | 1    | <b>143-331-1900</b> | Spider                |                   |
| 47   | 8    | <b>90301-12703</b>  | Hex Screw             | M12x70            |
| 48   | 1    | <b>91711-05600</b>  | Retainer ring         | D56x2             |
| 49   | ar   | <b>90731-03510</b>  | Shim                  | (0.1 mm)          |
| 49   | ar   | <b>90731-03520</b>  | Shim                  | (0.2 mm)          |
| 49   | ar   | <b>90731-03550</b>  | Shim                  | (0.5 mm)          |
| 49   | ar   | <b>90732-03510</b>  | Shim                  | (1.0 mm)          |
| 50   | 1    | <b>91744-00351</b>  | T. Roller bearing     |                   |
| 51   | 1    | <b>143-351-3700</b> | Side gear             |                   |
| 52   | 1    | <b>91744-00951</b>  | T. Roller bearing     |                   |
| 53   | 1    | <b>90873-10053</b>  | Plug screw            | M10x1, Allen head |
| 54   | 1    | <b>591106-99532</b> | O-ring                | D99.5x3           |
| 55   | 1    | <b>90621-63633</b>  | Split pin             | 6.3x63            |
| 56   | 1    | <b>90546-42653</b>  | Nut                   | M42x1.5           |
| 57   | 1    | <b>90705-43069</b>  | washer                | D43/80x6          |
| 61   | 1    | <b>544-261-3010</b> | Gear                  | Z28               |
| 62   | 1    | <b>591744-10754</b> | Bearing inner race    |                   |
| 63   | ar   | <b>590731-07510</b> | Shim                  | s=0.10 mm         |
| 63   | ar   | <b>590731-07530</b> | Shim                  | s=0.30 mm         |
| 63   | ar   | <b>590731-07550</b> | Shim                  | s=0.50 mm         |
| 64   | 1    | <b>591744-21451</b> | Bearing outer race    |                   |
| 65   | ar   | <b>543-261-1300</b> | Spacer ring           | L=89.00 mm        |
| 65   | ar   | <b>543-261-1301</b> | Spacer ring           | L=89.02 mm        |
| 65   | ar   | <b>543-261-1302</b> | Spacer ring           | L=89.05 mm        |
| 65   | ar   | <b>543-261-1303</b> | Spacer ring           | L=89.08 mm        |
| 66   | 12   | <b>90303-16407</b>  | Hex Screw             | M16x40, 10.9      |
| 67   | 1    | <b>544-211-1900</b> | Diff. Carrier Housing |                   |
| 68   | 1    | <b>591744-00760</b> | T. Roller bearing     |                   |



FSFPJAG2.DS4



| Item | Qty. | Order no.           | Description               | Note                                          |
|------|------|---------------------|---------------------------|-----------------------------------------------|
| 1    | 12   | <b>90313-08123</b>  | Allen Screw               | M8x12                                         |
| 1    | 12   | <b>90705-08423</b>  | washer                    | D8.4/17x1.6                                   |
| 2    | 12   | <b>591426-02000</b> | Plug                      |                                               |
| 3    | 4    | <b>546-131-7011</b> | Dust Shield               |                                               |
| 4    | 16   | <b>590316-14358</b> | Screw                     | Not serviced separately                       |
| 4    | 16   | <b>590707-14223</b> | washer                    | Not serviced separately                       |
| 5    | 2    | <b>546-111-3601</b> | Brake Bracket             |                                               |
| 6    | 32   | <b>90311-16608</b>  | Allen Screw               | M16x60                                        |
| 7    | 4    | <b>546-817-0010</b> | Bracket                   | Including pos. 8 & 9, Not serviced separately |
| 8    | 4    | <b>590710-10547</b> | washer                    | Not serviced separately                       |
| 9    | 4    | <b>590317-10163</b> | Hex Screw                 | Not serviced separately                       |
| 10   | 2    | <b>546-011-0011</b> | Expander                  | RH, Including pos. 4                          |
| 10   | 2    | <b>546-011-0021</b> | Expander                  | LH, Including pos. 4                          |
| 11   | 4    | <b>546-358-0300</b> | Sliding shoe              |                                               |
| 12   | ar   | <b>546-099-0001</b> | Repair kit of springs     | For two wheels (inc. 7-9,12)                  |
| 12   | 4    | <b>592052-24002</b> | Return spring             | Not serviced separately                       |
| 13   | 96   | <b>591501-00991</b> | Rivet                     | Not serviced separately                       |
| 14   | ar   | <b>546-360-2111</b> | Brake lining set          | 200 mm, For two wheels, including rivets      |
| 14   | ar   | <b>546-360-2121</b> | Br. lining set(over size) | 200 mm, For two wheels, including rivets      |
| 15   | 4    | <b>546-309-9811</b> | Brake shoe assy           | 200 mm, Complete with linings                 |
| 16   | 2    | <b>546-311-8111</b> | Brake drum                | Supersession for 146-311-7210 & 546-311-8200  |
| 17   | 2    | <b>589-291-0300</b> | Ring gear                 | ABS                                           |
| 18   | 2    | <b>189-295-0000</b> | Bush                      | ABS                                           |
| 19   | 2    | <b>189-250-0071</b> | Sensor                    | ABS, Wabco                                    |
| 19   | 2    | <b>589-250-0081</b> | Sensor                    | ABS, Knorr, protected wire                    |
| 20   | 4    | <b>572-101-2271</b> | Brake chamber             | 20", for wedge brake                          |
| 20   | 4    | <b>572-101-2281</b> | Brake chamber             | 18", for wedge brake                          |
| 20   | 4    | <b>572-101-2312</b> | Brake chamber             | 12", for wedge brake                          |
| 21   | 0    | <b>599-246-9010</b> | Lock Nut                  | Superceded by item 599-246-9100               |
| 21   | 4    | <b>599-246-9100</b> | Lock Nut                  | 1.75-12 UNS                                   |