

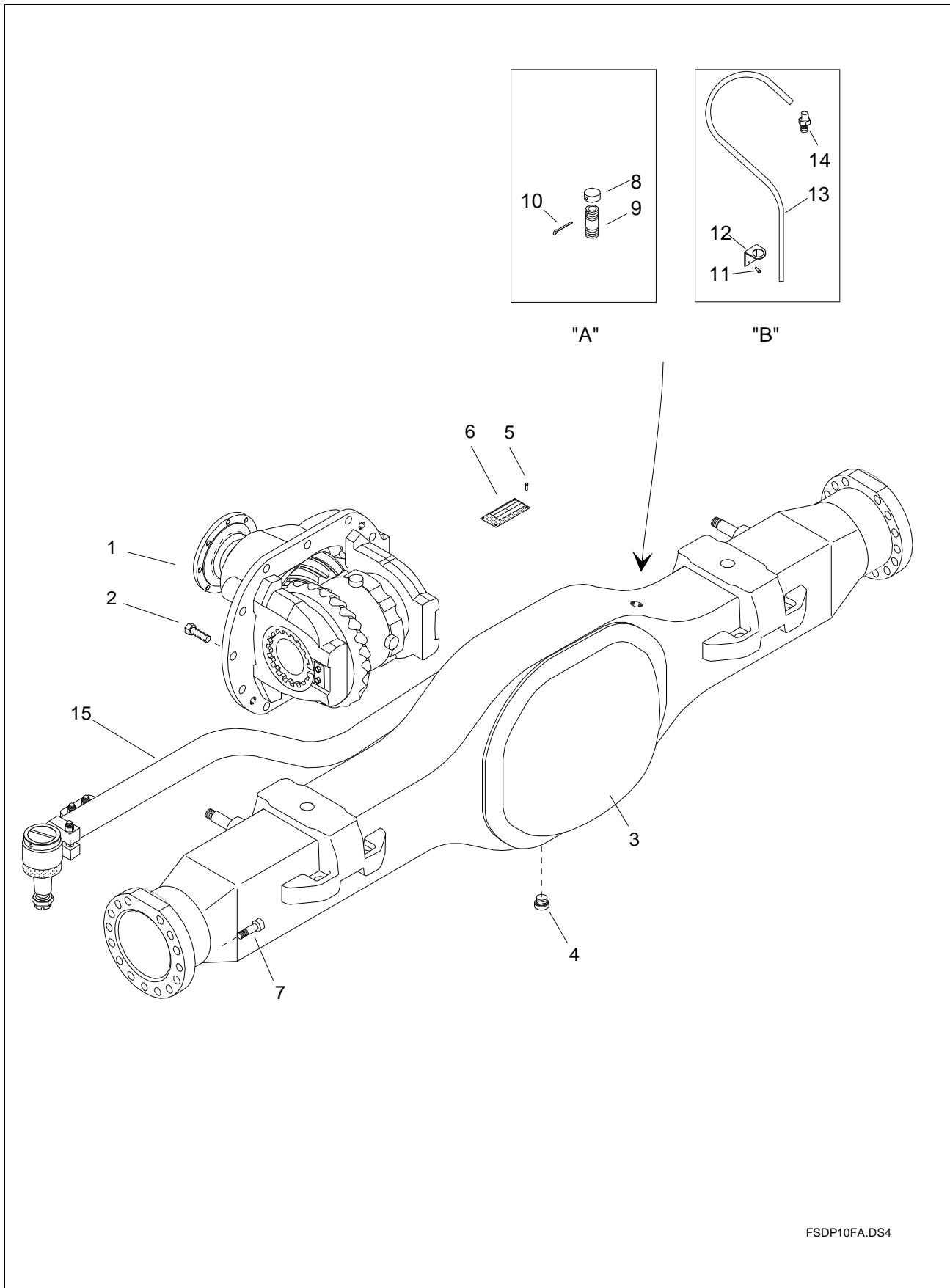
# **SISU AXLES**

## **SPARE PARTS BOOK**

**Front Axle  
FSDP-09/10-S**

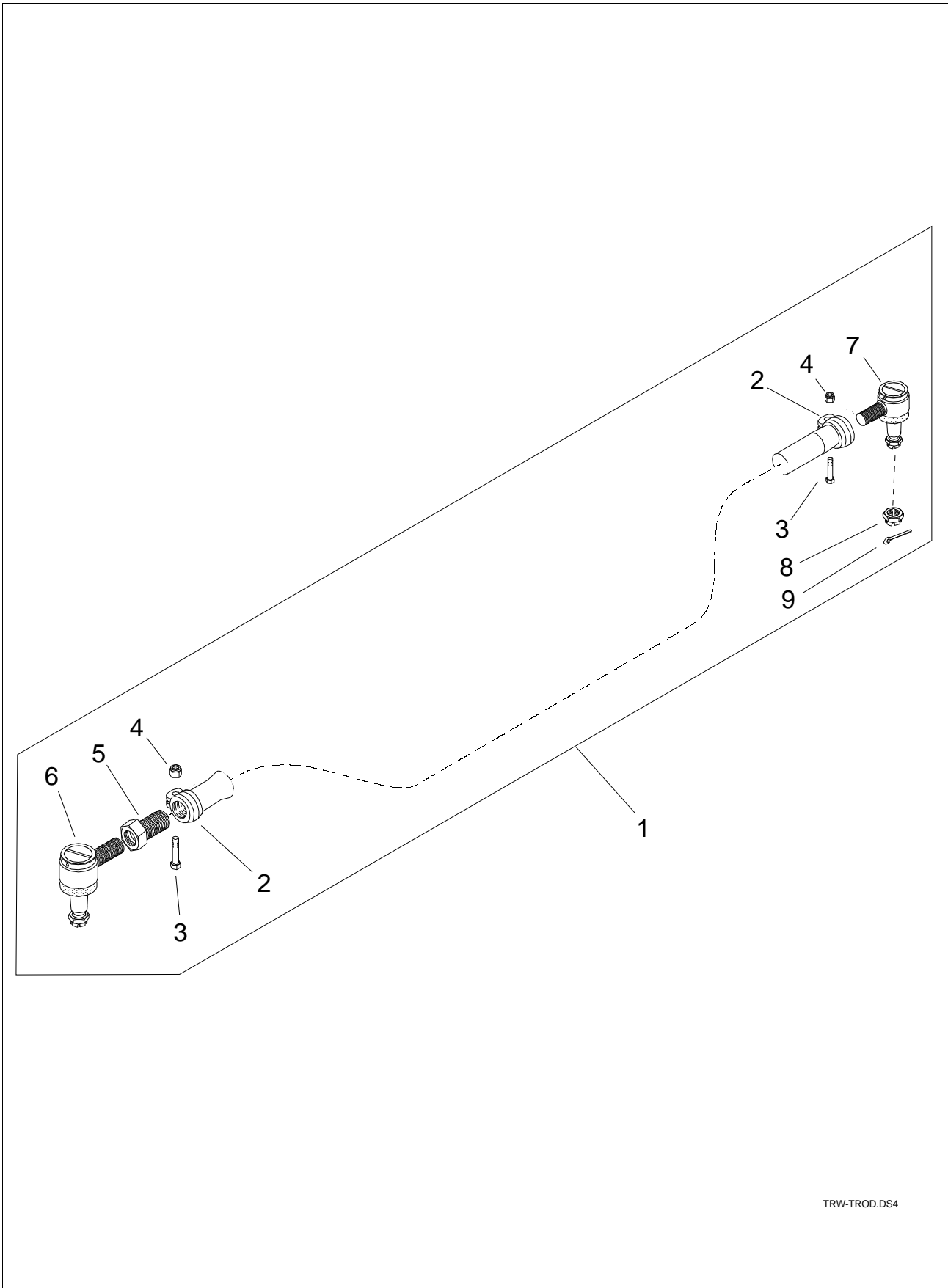
**Book No. 201 (12/2009)**

*Sisu Axles, Inc.*  
Autotehtaan tie 1  
PO Box 189  
FIN-13101 Hämeenlinna  
Finland  
Phone +358 204 55 2999  
Fax +358 204 55 2900



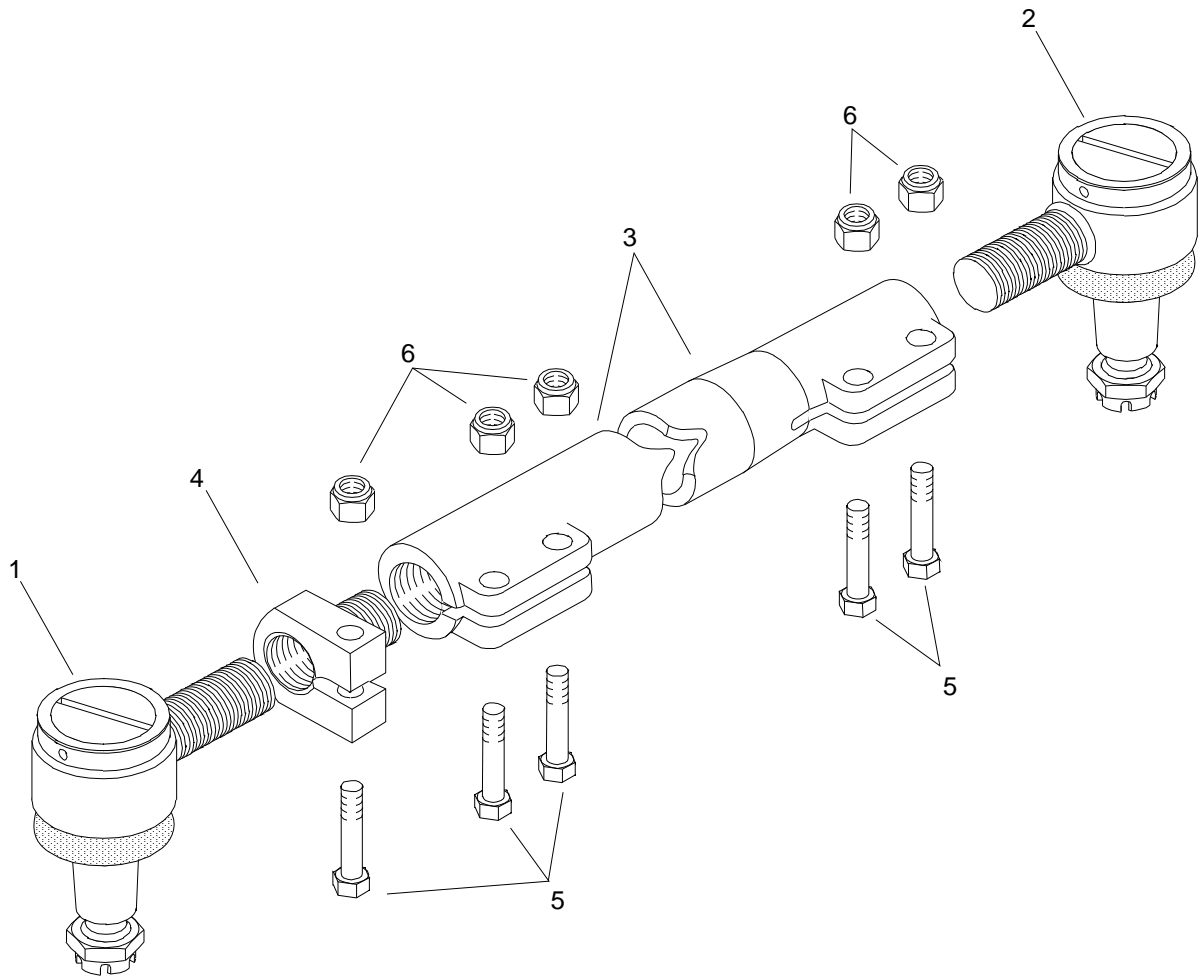
FSDP10FA.DS4

Item	Qty.	Order no.	Description	Note
1	1	<b>143-201-7053</b>	Diff. Carrier Assembly	FR 5.27, flange 1800S, diff. lock ind.switch
1	1	<b>143-201-7063</b>	Diff. Carrier Assembly	FR 8.83, flange 1800S, diff. lock ind.switch
1	1	<b>143-201-7813</b>	Diff. Carrier Assembly	FR 10.58, flange 1800 S, without lock
1	1	<b>143-201-8023</b>	Diff. Carrier Assembly	FR 6.36, flange 1800S, diff. lock ind.switch
1	1	<b>143-201-8043</b>	Diff. Carrier Assembly	FR 5.56, flange 1800S, diff. lock ind.switch
1	1	<b>543-201-7816</b>	Diff. Carrier Assembly	FR 4.27, HS1800 flange, w/o lock
1	1	<b>543-201-7823</b>	Diff. Carrier Assembly	FR 6.36, flange 1800 S, without lock
1	1	<b>543-201-7827</b>	Diff. Carrier Assembly	FR 5.66, End Yoke 1710, w/o lock
1	1	<b>543-201-7828</b>	Diff. Carrier Assembly	FR 5.66, HS1800 flange, w/o lock
1	1	<b>543-201-7843</b>	Diff. Carrier Assembly	FR 5.56, flange 1800 S, without lock
1	1	<b>543-201-7853</b>	Diff. Carrier Assembly	R 5.27, flange 1800S, W/o diff. lock
1	1	<b>543-201-7863</b>	Diff. Carrier Assembly	FR 8.83, HS1800 flange, w/o lock
1	1	<b>543-201-7893</b>	Diff. Carrier Assembly	FR 4.63, HS1800 flange, w/o lock
1	1	<b>543-201-8073</b>	Diff. Carrier Assembly	FR 7.01, HS1800 flange, diff. lock ind. switch
1	1	<b>543-203-5724</b>	Diff. Carrier Assembly	CW, FR 4.85, HS1800 flange, w/o lock
1	1	<b>543-203-5734</b>	Diff. Carrier Assembly	FR 5.54, HS1800 flange, w/o lock
1	1	<b>543-203-5854</b>	Diff. Carrier Assembly	FR 5.27, flange 1800S, diff. lock ind. in cover
2	11	<b>90303-16407</b>	Hex Screw	M16x40, 10.9
3	1	<b>101-0110-349</b>	Axle housing	10t, W/o spring pads, Caster 1.5
3	1	<b>141-113-0800</b>	Axle housing	9t, W/o spring pads, Caster 1.5
3	1	<b>541-113-1900</b>	Axle housing	Superseded by item 101-0110-349
3	1	<b>541-113-3410</b>	Axle housing	10t, W/o spring pads, Caster 4.5
3	1	<b>541-113-4100</b>	Axle housing	10t, Spring pads c/c 863.6, Caster 1.5
3	1	<b>541-113-5710</b>	Axle housing	10t, For CW diff head, Spring c/c 826, Caster 4.5
4	1	<b>90831-24139</b>	Oil plug	R 3/4", Up to No. 00702, 2/2000
4	1	<b>90873-22109</b>	Oil plug	M22x1.5, since No 00703, 2/2000
4	1	<b>91201-22150</b>	Seal ring	Cu, since No 00703, 2/2000
5	4	<b>90111-29054</b>	Rivet	D2.9x5
6	1	<b>591600-20823</b>	Name plate	
7	30	<b>90311-14508</b>	Allen Screw	M14x50, 12.9
8	1	<b>179-842-0000</b>	Breather Cover	"A"
9	1	<b>179-841-1000</b>	Breather pipe	"A"
10	1	<b>90621-32253</b>	Split pin	"A"
11	2	<b>590111-29064</b>	Rivet	"B"
12	1	<b>143-227-0800</b>	Mounting Plate	"B"
13	1	<b>95242-06010</b>	Plastic Pipe	"B", Ø9.5/15.5 L=350
14	1	<b>592422-01603</b>	Hose clamp	"B"
14	1	<b>91978-30901</b>	Binding screw	"B"
15	NLA	<b>140-201-9711</b>	Tie rod assy	Sisu, Superseded by 540-201-9821
15	1	<b>540-201-9821</b>	Tie rod assy	TRW, L=1630 mm, since S/N 11959 (6/2001)



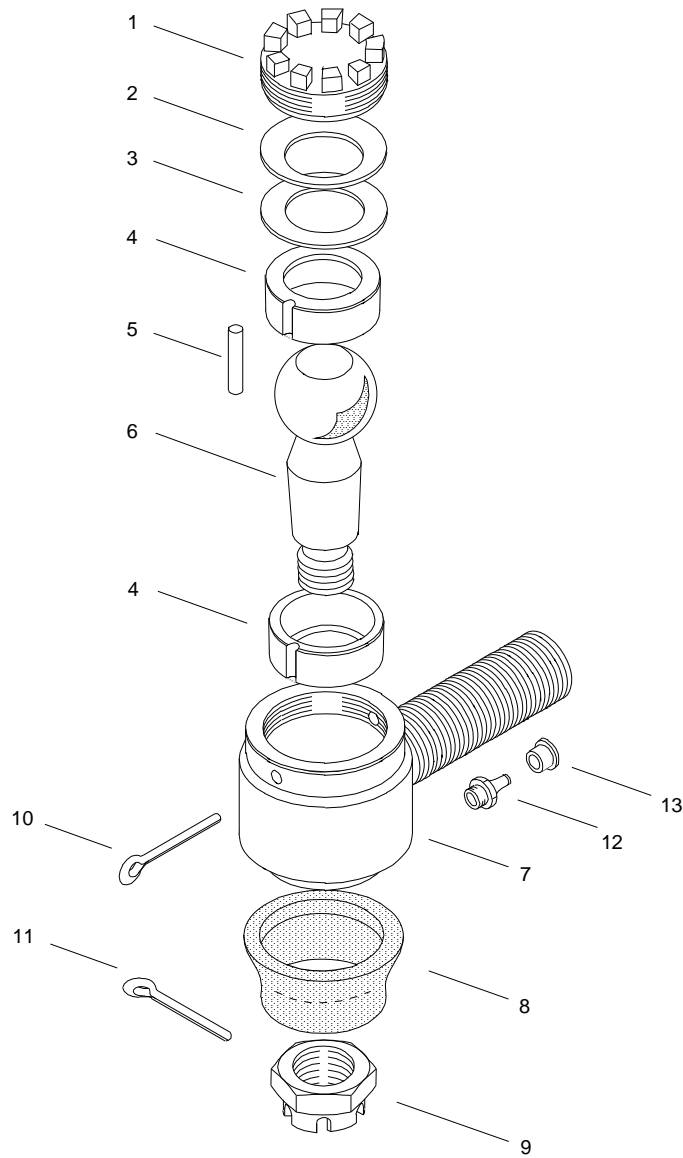
TRW-TROD.DS4

Item	Qty.	Order no.	Description	Note
1	1	<b>540-201-9821</b>	Tie rod assy	TRW, L=1630 mm, supercedes item 140-201-9711
2	1	<b>594-104-1110</b>	Clamp	50 mm diameter
3	2	<b>590321-14807</b>	Hex Screw	M14x1.5x80, DIN 960, 10.9
4	2	<b>590556-14227</b>	Nut	M14x1.5, DIN 980, 10
5	1	<b>540-216-0300</b>	Adj. piece	M38x1.5LH/M30x1.5RH
6	1	<b>160-530-0183</b>	Ball Joint Assembly	RH, RH thread M30x1.5
7	1	<b>560-530-0611</b>	Ball Joint Assembly	LH, RH thread M38x1.5
8	2	<b>90546-24363</b>	Nut	Included in pos. 12 & 31
9	2	<b>90621-50453</b>	Split pin	included in pos. 12 & 31



DEB\_RAID.DS4

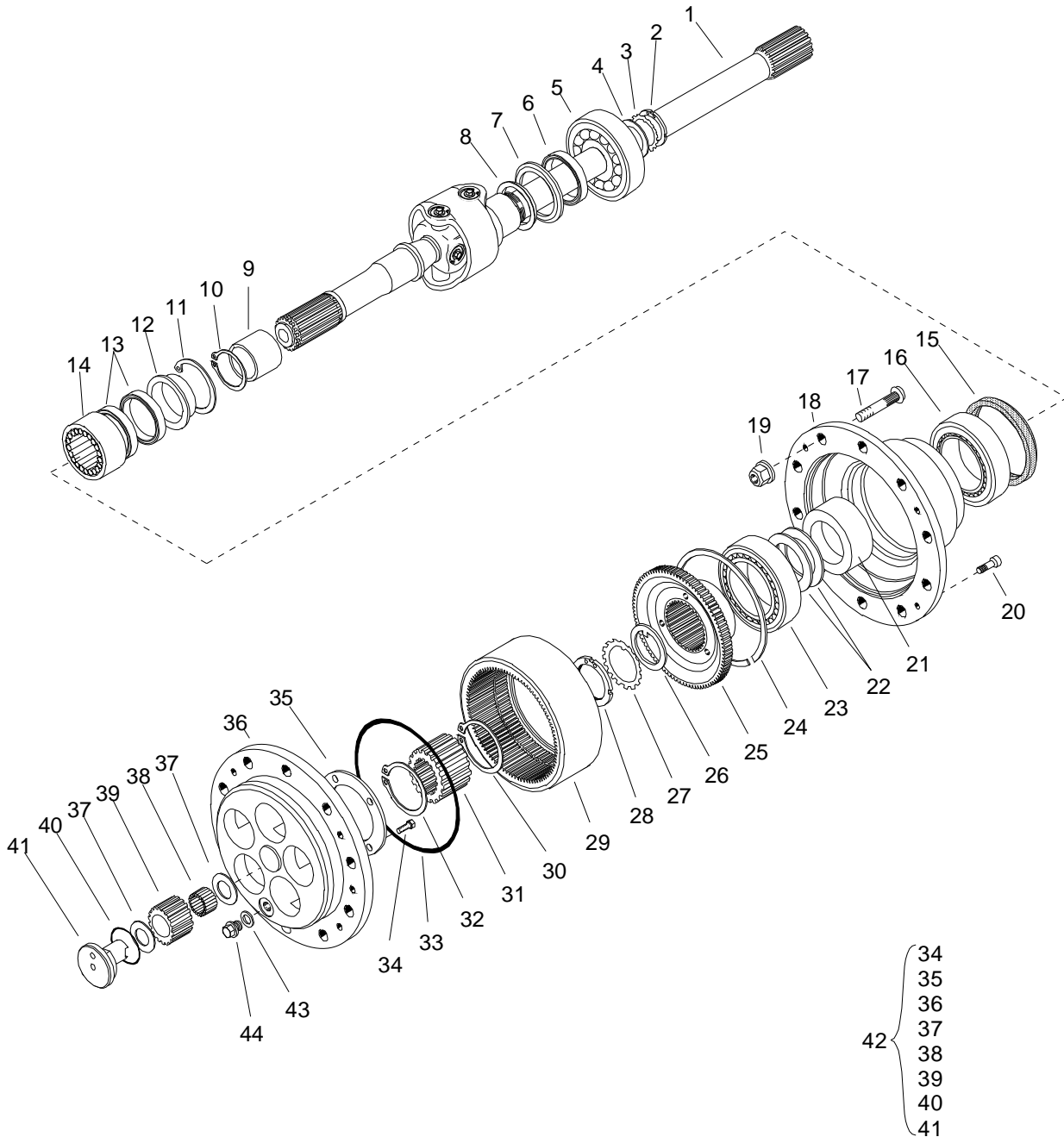
Item	Qty.	Order no.	Description	Note
1	1	<b>160-530-0035</b>	Ball Joint Assembly	M30x1.5 LH thread
2	1	<b>160-530-0045</b>	Ball Joint Assembly	M30x1.5 RH Thread
3	1	<b>140-211-4300</b>	Tie rod	
4	1	<b>095-130-2031</b>	Binding screw	M30x1.5(LH)/M42x3
5	5	<b>90301-14703</b>	Hex Screw	M14x70
6	5	<b>90550-14227</b>	Nut	M14 self locking



DEB\_K1WV.DS4

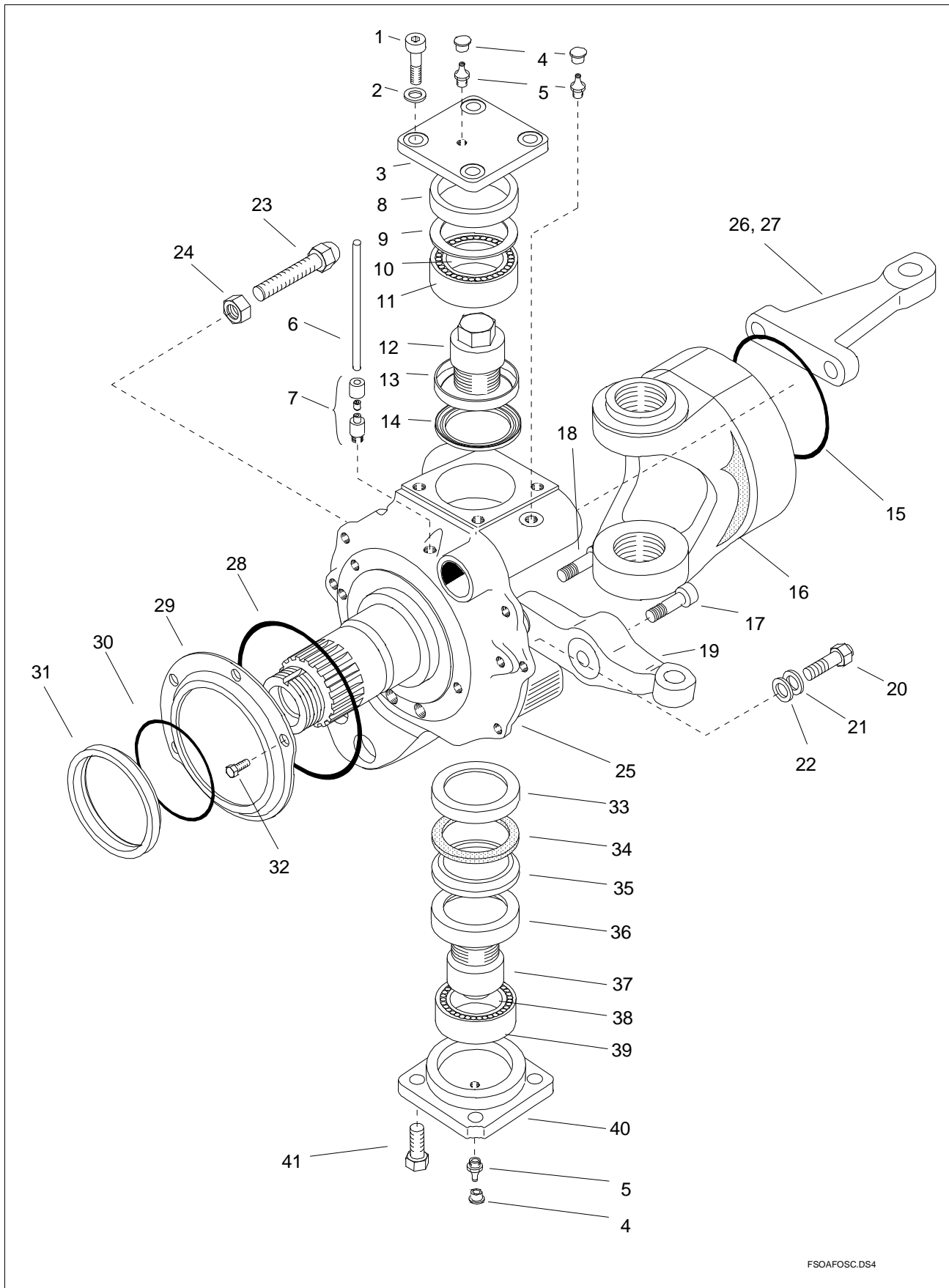


Item	Qty.	Order no.	Description	Note
0	1	<b>160-530-0035</b>	Ball Joint Assembly	LH, LH Thread, includes all items
0	1	<b>160-530-0045</b>	Ball Joint Assembly	RH, RH Thread, includes all items
1	1	<b>140-227-0311</b>	Cover	
2	1	<b>92055-25460</b>	Disc spring	D50/25.4x1.5
3	1	<b>90700-29001</b>	Spacer plate	D29/50x2
4	2	<b>140-225-0400</b>	Ball seat	
5	1	<b>090-005-0390</b>	Needle roller	D3x25.4
6	1	<b>140-229-1310</b>	Ball stud	D40
7	1	<b>140-221-0810</b>	Balljoint housing	RH Thread (for 160-530-0045)
7	1	<b>140-222-0810</b>	Balljoint housing	LH Thread (for 160-530-0035)
8	1	<b>090-610-2610</b>	Dust membrane	
9	1	<b>90546-24363</b>	Nut	M24x1.5
10	1	<b>90621-50323</b>	Split pin	D5x32
11	1	<b>90621-50453</b>	Split pin	D5x45
12	1	<b>91402-10003</b>	Grease nipple	M10x1, Straight (for 160-530-0035)
12	1	<b>91402-10453</b>	Grease nipple	M10x1, 45° (for 160-530-0045)
13	1	<b>91421-06060</b>	Shield hat	
14	1	<b>160-580-0011</b>	Service kit	Includes items 1 - 6 & 8 -12



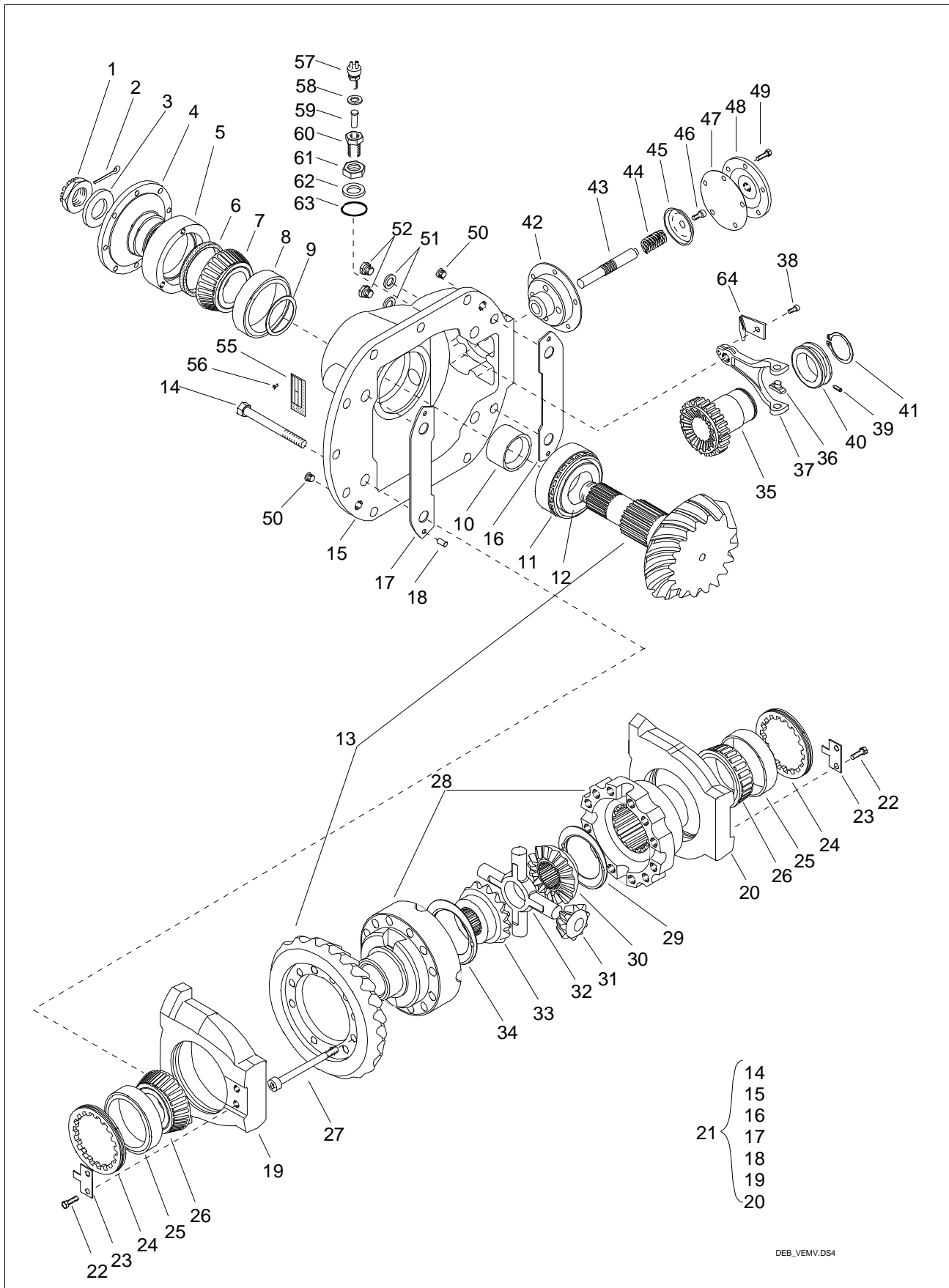
DEB\_NAPA.DS4

Item	Qty.	Order no.	Description	Note
1	2	<b>141-502-0181</b>	Axle Shaft	FSDP
1	1	<b>541-502-0421</b>	Axle Shaft	LH, FSMP, L=1254
1	1	<b>541-502-0431</b>	Axle Shaft	RH, FSMP, L=1089
2	2	<b>099-250-8000</b>	Lock nut	M50x1.5
3	2	<b>099-455-0000</b>	Lock washer	D50/74x1.25
4	2	<b>099-455-0010</b>	washer	D50/75x4
5	2	<b>090-010-5020</b>	Deep groove ball bearing	
6	2	<b>91122-06001</b>	Shaft seal	D60/75x8
7	2	<b>91121-06001</b>	Seal ring	With swivel head 141-117-0401/0910
7	2	<b>91121-12070</b>	Seal ring	With swivel head 141-117-0900
8	2	<b>141-533-0210</b>	Shield ring	With swivel head 141-117-0900
9	2	<b>090-160-5020</b>	Sleeve	D50/60x50
10	2	<b>092-953-5030</b>	Retainer ring	D50x2
11	2	<b>092-957-8000</b>	Retainer ring	D80x2.5
12	2	<b>141-533-0110</b>	Shield ring	For single shaft seal, pos. 13
12	2	<b>141-533-0200</b>	Shield ring	For double shaft seals, pos. 13
13	2/4	<b>91122-06001</b>	Shaft seal	D60/75x8
14	2	<b>090-060-6040</b>	Needle bush	D60/72x25
15	2	<b>91122-14003</b>	Shaft seal	D140/165x15
16	2	<b>91744-01051</b>	T. Roller bearing	
17	20	<b>140-911-2510</b>	Wheel bolt	L=93 mm
17	20	<b>140-911-2700</b>	Wheel bolt	L=113 mm
18	2	<b>141-411-0510</b>	Wheel hub	Without ABS
18	2	<b>141-411-0600</b>	Wheel hub	With ABS
19	20	<b>540-916-1610</b>	Wheel nut	M22x1.5
20	8	<b>90303-12303</b>	Hex Screw	M12x30 - DIN 933 - 8.8
21	2	<b>143-416-0010</b>	Spacer ring	D90/118x41
22	NLA	<b>099-519-1001</b>	Shim	s=0.10 mm, D91/108, Ms
22	NLA	<b>099-519-1002</b>	Shim	s=0.20 mm, D91/108, Ms
22	NLA	<b>099-519-1003</b>	Shim	s=0.50 mm, D91/108, Ms
22	ar	<b>590731-09020</b>	Shim	s=0.20 mm, D90x110, St
22	ar	<b>590731-09030</b>	Shim	s=0.30 mm, D90x110, St
22	ar	<b>590731-09050</b>	Shim	s=0.50 mm, D90x110, St
23	2	<b>91744-01101</b>	T. Roller bearing	
24	2	<b>91720-22001</b>	Retainer ring	D220x3
25	NLA	<b>135-271-0110</b>	Ring gear hub	Superceded by 535-271-0800
25	2	<b>535-271-0800</b>	Ring gear hub	
26	2	<b>099-458-0010</b>	washer	D80/100x2
27	2	<b>099-458-0000</b>	Lock washer	D80/112x1,75
28	2	<b>90575-08040</b>	Lock nut	M80x2
29	2	<b>135-261-1600</b>	Ring gear	
30	2	<b>092-953-4710</b>	Retainer ring	D47x1.5
31	2	<b>135-211-1000</b>	Sun gear	
32	2	<b>092-953-4710</b>	Retainer ring	D47x1.5
33	2	<b>090-512-6500</b>	O-ring	D265x2
34	10	<b>90303-10203</b>	Hex Screw	M10 x 20 - DIN 933 - 8.8
35	2	<b>135-259-0110</b>	Lock plate	
36	2	<b>141-441-0810</b>	Planet carrier	
37	20	<b>090-353-5020</b>	Spacer plate	D57/35x1.5
38	260	<b>090-005-0530</b>	Needle roller	D4.762x28.5
39	10	<b>135-241-1000</b>	Planet gear	
40	10	<b>91100-76025</b>	O-ring	D76x2.5
41	10	<b>135-251-1000</b>	Planet gear shaft	
42	2	<b>141-404-0071</b>	Planetary gear	
43	2	<b>91201-22150</b>	Seal ring	D22/27x1.5 Cu
44	2	<b>90871-22193</b>	Plug screw	M22x1.5, hex head

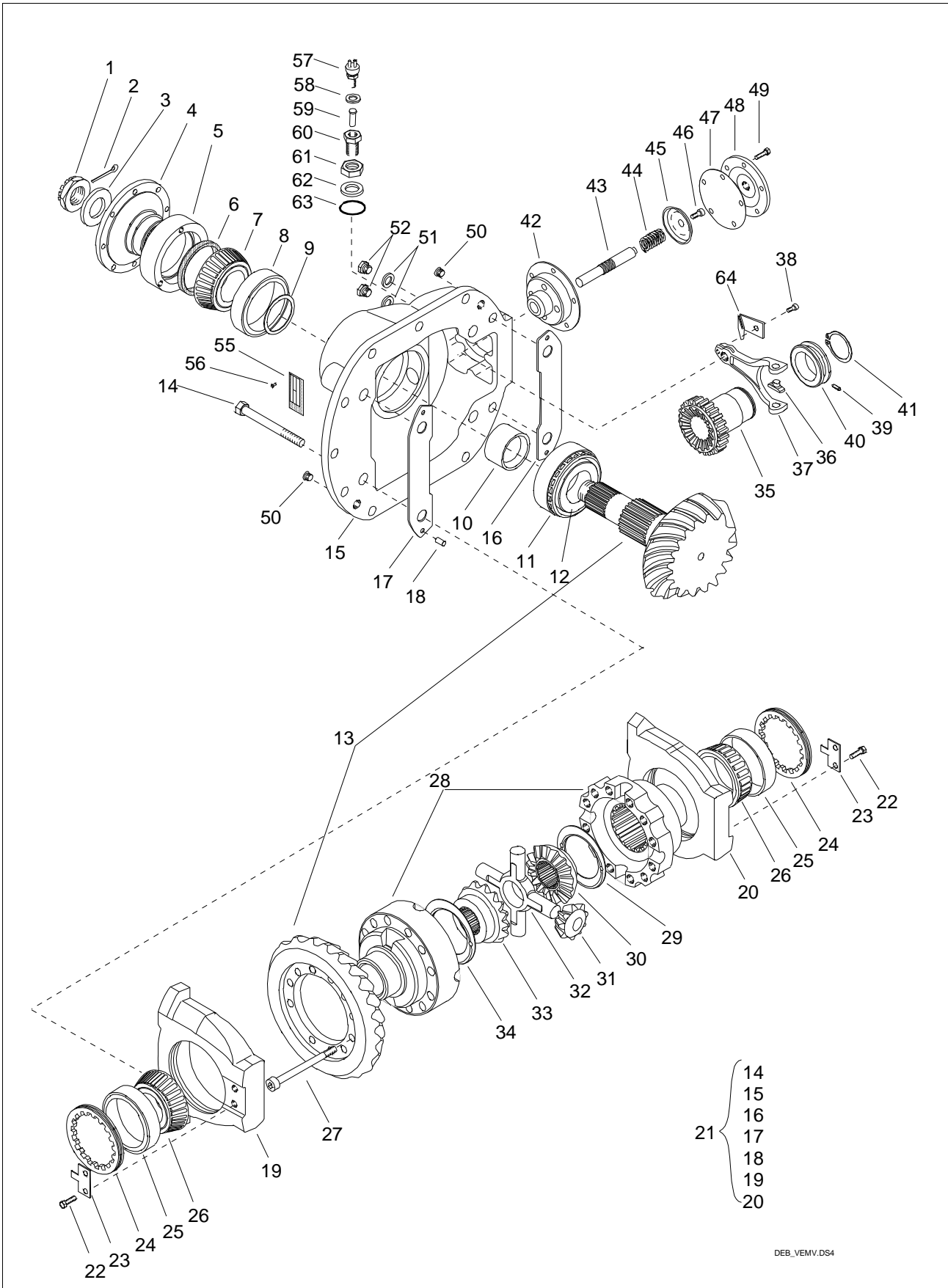


F50AFOSC.DS4

Item	Qty.	Order no.	Description	Note
1	8	90303-16307	Hex Screw	M16x30
2		0		Not used
3	2	140-123-1110	King pin cover	
4	6	91421-06060	Shield hat	
5	6	91402-10003	Grease nipple	M10x1, Straight
6	2	179-614-1110	Breather pipe	l=0.5 m
7	2	91950-11010	Pipe joint	M10x1, 6 mm
8	2	099-607-6050	Spacer ring	D94/76.3x21.5
9	ar	099-518-0011	Shim	(s=0.10 mm)
9	ar	099-518-0012	Shim	(s=0.20 mm)
9	ar	099-518-0013	Shim	(s=0.50 mm)
10	2	090-110-5130	Bearing inner race	
11	2	090-120-9300	Bearing outer race	
12	2	140-121-1200	King pin	
13	2	090-721-7400	Protective cup	D74/93.3x7
14	2	090-400-7000	Gamma-seal	D70/90x5.5
15	2	090-511-2110	O-ring	D120,0 x 2,0 NBR 70
16	NLA	141-117-0401	Swivel head	9 ton, Cast iron, superceded by 141-117-0910
16	2	141-117-0900	Swivel head	10 ton, Steel, R88x15x29.5deg, sealed
16	2	141-117-0910	Swivel head	9 ton, Steel, R85x15x30deg
17	2	90311-24808	Allen Screw	M24x80, only with 140-241-5400/5410
17	2	90311-24908	Allen Screw	M24x90
18	2	90311-24708	Allen Screw	M24x70, only with 140-241-5400/5410
18	2	90311-24908	Allen Screw	M24x90
19	1	140-241-5400	Tie rod arm	RH, Superceded by 540-241-5401
19	1	140-241-5410	Tie rod arm	LH, Superceded by 540-241-5411
19	1	540-241-5401	Tie rod arm	RH, Up to No. 11958 (6/2001)
19	1	540-241-5411	Tie rod arm	LH, Up to No. 11958 (6/2001)
19	1	540-241-6600	Tie rod arm	RH, Since No. 11959 (6/2001)
19	1	540-241-6610	Tie rod arm	LH, Since No. 11959 (6/2001)
20	2	140-249-1400	Stop screw	Total L=80mm (lock angle 40 deg.)
20	2	140-249-1510	Stop screw	Total L=45.5mm (lock angle 48 deg.)
21	ar	099-551-6001	Spacer ring	s = 3.0
22	ar	099-551-6000	Spacer ring	s = 2.0
23	2	140-249-1400	Stop screw	Total L=80mm
24	2	90502-16243	Nut	M16
25	1	141-141-0700	Steering knuckle	RH
25	1	141-141-0710	Steering knuckle	LH
26	1	140-261-5300	Steering arm	LH, L=173.5, cone 1:8
26	ar	140-267-0100	Spacer plate	s=24 mm, if steering arm not installed
26	1	540-261-7010	Steering arm	LH, w/o taper hole
26	1	540-261-8100	Steering arm	LH, L=198.5 mm, cone 1:8
27	1	140-261-5310	Steering arm	RH, L=173.5, cone 1:8
27	1	540-261-7000	Steering arm	RH, w/o taper hole
27	1	540-261-8110	Steering arm	RH, L=198.5 mm, cone 1:8
28	2	591101-94230	O-ring	194.2x3, supercedes item 91101-90030
29	2	143-871-0100	Shield	
30	2	91101-33026	O-ring	133x2.62
31	2	540-415-1100	Sliding Ring	Supersession for 140-415-0712
32	4	90303-08123	Hex Screw	M8x12
33	2	090-722-1100	Protective cup	D70.5/109.6x5.5
34	2	090-551-9200	Seal plate	D92/108x5, oil before installation
35	2	090-400-7000	Gamma-seal	D70/90x5.5
36	2	090-722-1110	Protective cup	D72/111.1x11.5
37	2	140-121-1200	King pin	
38	2	090-110-5140	Bearing inner race	
39	2	090-121-1110	Bearing outer race	
40	2	140-123-1010	King pin cover	
41	8	90303-16307	Hex Screw	M16x30

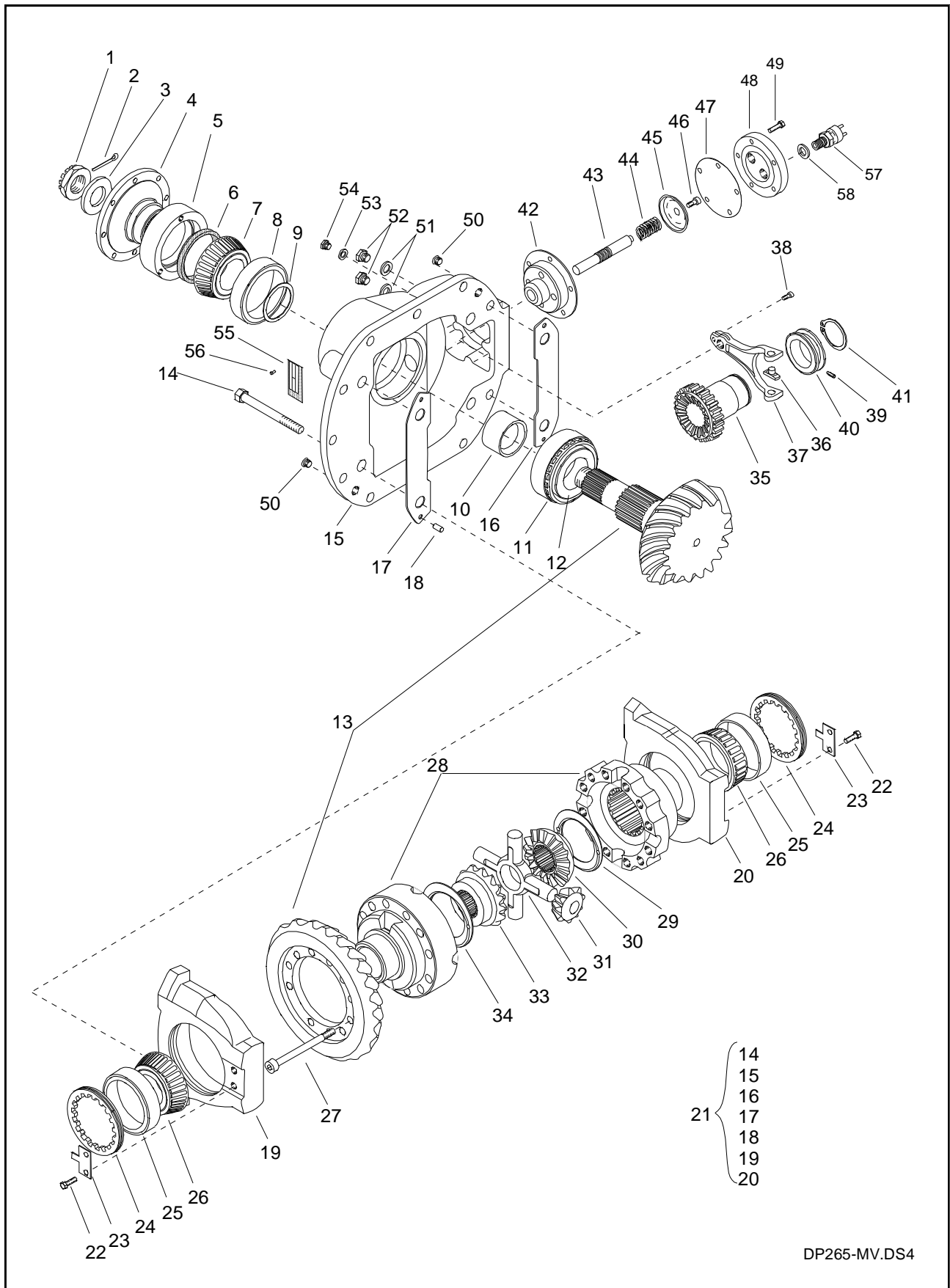


Item	Qty.	Order no.	Description	Note
1		<b>099-233-3000</b>	Nut	M33x1.5
2	1	<b>90621-04503</b>	Split pin	D4x50
3	1	<b>90705-33043</b>	washer	D33/56x3.5
4	1	<b>138-916-1810</b>	Flange	HS1600
4	1	<b>138-917-2400</b>	Flange	HS1800
4	1	<b>138-946-0100</b>	Flange	DIN 165
4	1	<b>538-916-2911</b>	Flange	ISO 8667 - T 150
4	1	<b>538-967-0200</b>	End Yoke	Splined Yoke 1710
5	1	<b>143-234-0210</b>	Seal housing	
6	1	<b>090-500-6501</b>	Shaft seal	D65/90x10
7	1	<b>090-110-5150</b>	Bearing inner race	
8	1	<b>090-121-1310</b>	Bearing outer race	
9	ar	<b>099-515-1066</b>	Spacer ring	(s=0.3 mm)
9	ar	<b>099-515-1067</b>	Spacer ring	(s=0.4 mm)
9	ar	<b>099-515-1068</b>	Spacer ring	(s=0.5 mm)
10	ar	<b>143-261-0111</b>	Spacer ring	(l=30.20 mm)
10	ar	<b>143-261-0113</b>	Spacer ring	(l=30.24 mm)
10	ar	<b>143-261-0115</b>	Spacer ring	(l=30.28 mm)
11	1	<b>090-121-2400</b>	Bearing outer race	
12	1	<b>090-110-6600</b>	Bearing inner race	
13	1	<b>143-240-2411</b>	Ring and pinion gear set	22/28, Final Ratio 4.63
13	1	<b>143-240-2419</b>	Ring and pinion gear set	23/27, Final Ratio 4.27
13	1	<b>143-240-2451</b>	Ring and pinion gear set	20/29, Final Ratio 5.27
13	1	<b>143-240-2461</b>	Ring and pinion gear set	14/34, Final Ratio 8.83
13	1	<b>143-240-2811</b>	Ring and pinion gear set	11/32, Final Ratio 10.58
13	1	<b>143-240-2812</b>	Ring and pinion gear set	18/28, Final Ratio 5.66
13	1	<b>143-240-2821</b>	Ring and pinion gear set	16/28, Final Ratio 6.36
13	1	<b>143-240-2831</b>	Ring and pinion gear set	23/26, Final Ratio 4.11
13	1	<b>143-240-2841</b>	Ring and pinion gear set	17/26, Final Ratio 5,56
13	1	<b>543-240-2871</b>	Ring and pinion gear set	14/27, Final ratio 7.01
13	1	<b>543-240-3821</b>	Ring and pinion gear set	24/32, Final Ratio 4.85
13	1	<b>543-240-3831</b>	Ring and pinion gear set	22/33, Final Ratio 5.45
13	1	<b>543-240-3841</b>	Ring and pinion gear set	21/32, Final Ratio 5.54
14	4	<b>90311-20218</b>	Allen Screw	M20x110, 12.9
15	1	<b>143-211-1480</b>	Diff. Carrier Housing	Not serviced separately
16	ar	<b>144-239-1710</b>	Shim	(s=1.00 mm)
16	ar	<b>144-239-1711</b>	Shim	(s=0.50 mm)
16	ar	<b>144-239-1712</b>	Shim	(s=0.20 mm)
16	ar	<b>144-239-1713</b>	Shim	(s=0.10 mm)
17	ar	<b>144-239-1800</b>	Shim	(s=1.00 mm)
17	ar	<b>144-239-1801</b>	Shim	(s=0.50 mm)
17	ar	<b>144-239-1802</b>	Shim	(s=0.20 mm)
17	ar	<b>144-239-1803</b>	Shim	(s=0.10 mm)
18	4	<b>590604-08141</b>	Pin	Ø8x14
19		<b>143-217-0080</b>	Bearing housing	Not serviced separately
20		<b>143-217-0180</b>	Bearing housing	Not serviced separately
21	1	<b>143-210-1311</b>	Differential Carrier	
22	4	<b>90303-08103</b>	Hex Screw	M8x10
23	2	<b>143-227-0202</b>	Lock plate	
24	2	<b>143-226-1100</b>	Adjusting nut	D136x12 (5 11/32-12-2A)
25	2	<b>090-121-3200</b>	Bearing outer race	
26	2	<b>090-110-7610</b>	Bearing inner race	
27	12	<b>90301-16118</b>	Hex Screw	Final ratios 4.11 & 4.27
27	12	<b>90311-16908</b>	Allen Screw	Not for final ratios 4.11 & 4.27
28	1	<b>143-310-1621</b>	Diff. case assy	
29	1	<b>143-356-0310</b>	Thrust washer	D81/115x1.5
30	1	<b>143-351-3110</b>	Side gear	
31	4	<b>143-341-1600</b>	Pinion gear	
32	1	<b>143-331-1601</b>	Spider	
33	1	<b>143-351-2800</b>	Side gear	
34	1	<b>090-356-7000</b>	Thrust washer	D66.5/100x1.5



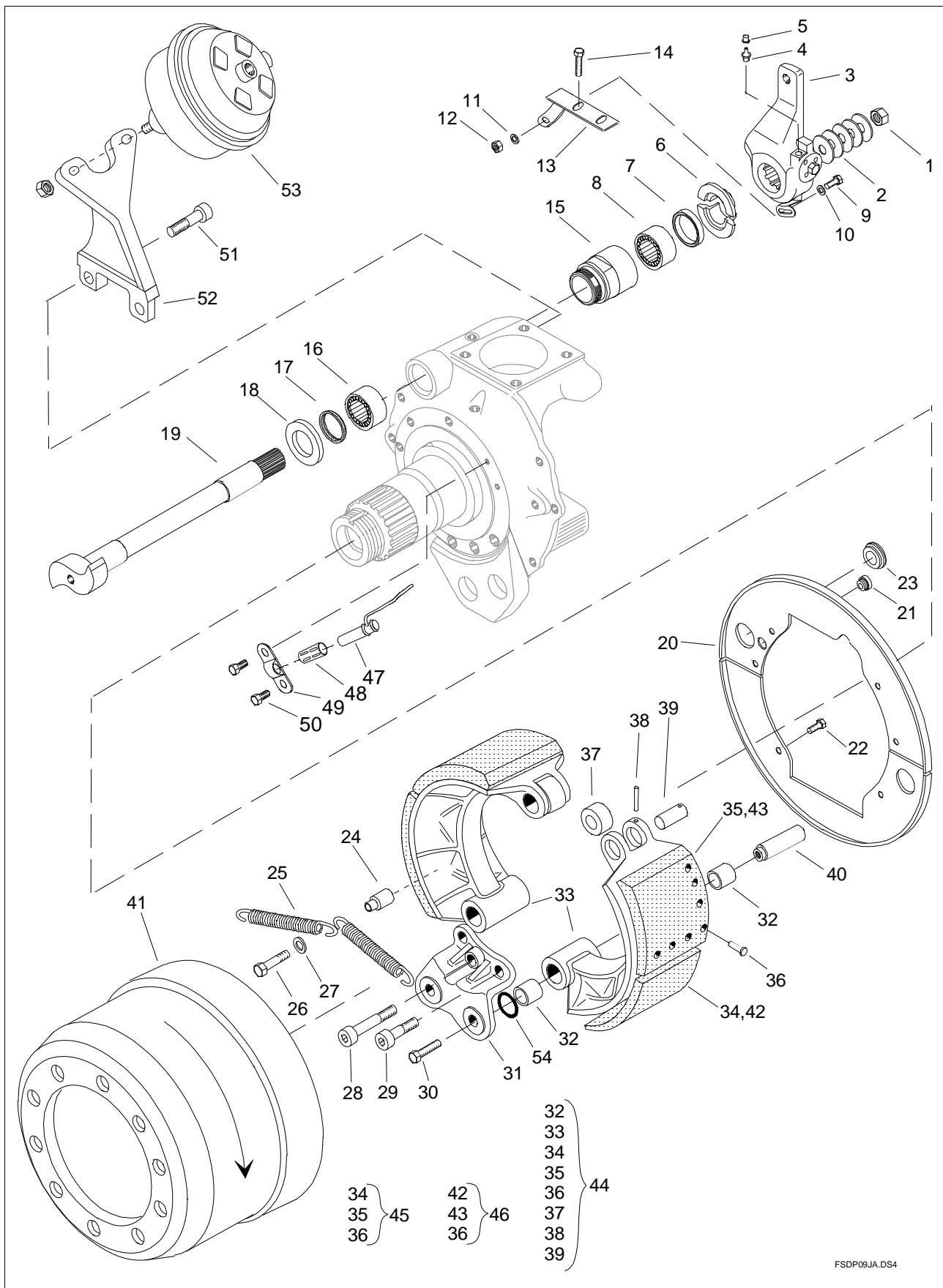


Item	Qty.	Order no.	Description	Note
35	1	<b>144-341-1400</b>	Sliding Gear	
36	2	<b>133-348-0710</b>	Sliding shoe	
37	1	<b>144-751-1000</b>	Control fork	
38	1	<b>90313-06208</b>	Allen Screw	M6x20
39	1	<b>90335-05108</b>	Stopping screw	M5x10
40	1	<b>144-348-0010</b>	Sliding ring	
41	1	<b>91711-05600</b>	Retainer ring	D56x2
42	1	<b>144-732-0200</b>	Shaft housing	
43	1	<b>172-212-1410</b>	Sliding Shaft	
44	1	<b>097-122-0100</b>	Return spring	
45	1	<b>172-361-0410</b>	Push plate	
46	1	<b>90319-08206</b>	Screw	M8x20
47	1	<b>172-351-1202</b>	Membrane	
48	1	<b>144-736-0300</b>	Cover	W/o diff lock
48	1	<b>172-161-0700</b>	Membrane cover	M18x1.5, up to S/N 60200 (2/1996)
48	1	<b>172-161-0701</b>	Membrane cover	M16x1.5, since S/N 60201 (2/1996)
48	1	<b>572-161-1501</b>	Membrane cover	M16x1.5, side connection, since S/N 60201 (2/1996)
49	5	<b>90303-08303</b>	Hex Screw	M8x30
50	2	<b>91425-13120</b>	Shield plug	
51	2	<b>91201-22150</b>	Seal ring	D22/27x1.5 Cu
52	2	<b>90871-22193</b>	Plug screw	M22x1.5, hex head
55	1	<b>91600-20811</b>	Name plate	
56	4	<b>90111-29054</b>	Rivet	D2.9x5
57	1	<b>186-490-0281</b>	Signal Lamp Switch	M12x1.5
58	1	<b>91201-12150</b>	Seal ring	D12/18x1.5
59	1	<b>141-812-0100</b>	Control pin	
60	1	<b>141-812-0000</b>	Binding screw	M12x1.5/M18x1.5
60	1	<b>90871-18173</b>	Plug screw	W/o diff lock indicator switch
60	1	<b>91201-18150</b>	Seal ring	W/o diff lock indicator switch
61	1	<b>91842-18243</b>	Lock Nut	M18x1.5
62	1	<b>91838-18010</b>	Pressure ring	Ms DR/R 18x23
63	1	<b>91838-18100</b>	O-ring	Ø16x2.5
64	1	<b>141-812-0010</b>	Guide plate	



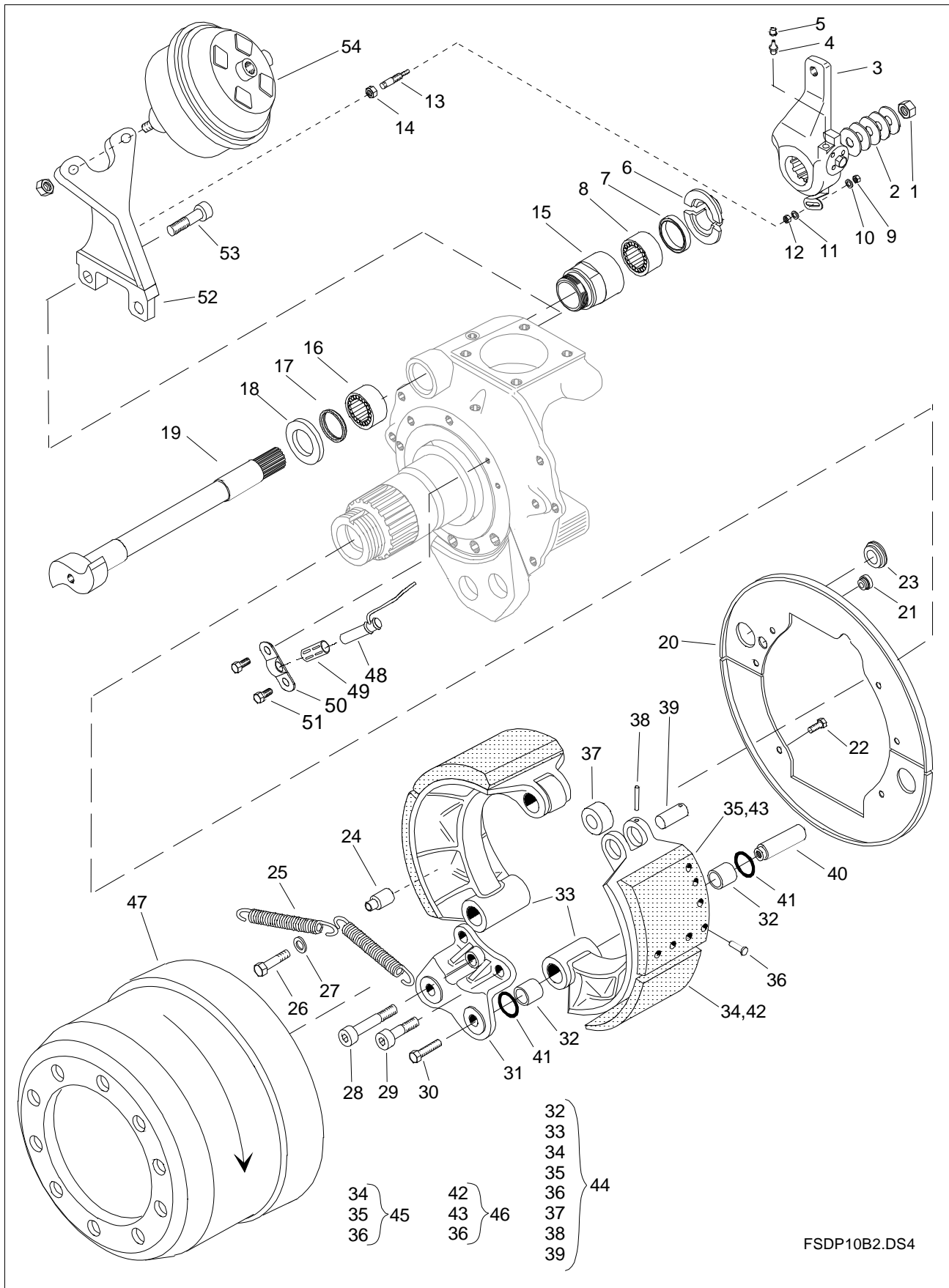
DP265-MV.DS4

Item	Qty.	Order no.	Description	Note
35	1	<b>144-341-1400</b>	Sliding Gear	
36	2	<b>133-348-0710</b>	Sliding shoe	
37	1	<b>144-751-1000</b>	Control fork	
38	1	<b>90313-06208</b>	Allen Screw	M6x20
39	1	<b>90335-05108</b>	Stopping screw	M5x10
40	1	<b>144-348-0010</b>	Sliding ring	
41	1	<b>91711-05600</b>	Retainer ring	D56x2
42	1	<b>144-732-0200</b>	Shaft housing	
43	1	<b>172-212-1410</b>	Sliding Shaft	D18/20x105
44	1	<b>097-122-0100</b>	Return spring	D29.5x43
45	1	<b>172-361-0410</b>	Push plate	D70x12
46	1	<b>90319-08206</b>	Screw	M8x20
47	1	<b>172-351-1202</b>	Membrane	
48	1	<b>572-161-1502</b>	Membrane cover	
49	5	<b>90303-08303</b>	Hex Screw	M8x30
50	2	<b>91425-13120</b>	Shield plug	
51	2	<b>91201-22150</b>	Seal ring	D22/27x1.5 Cu
52	2	<b>90871-22193</b>	Plug screw	M22x1.5, hex head
53	1	<b>91201-18150</b>	Seal ring	D18/22x1.5 Cu
54	1	<b>90871-18173</b>	Plug screw	M18x1.5
55	1	<b>591600-20823</b>	Name plate	
56	4	<b>90111-29054</b>	Rivet	D2.9x5
57	1	<b>586-490-0381</b>	Signal Lamp Switch	M18x1.5, connection M27x1.5
57	1	<b>586-490-0481</b>	Signal Lamp Switch	M18x1.5, connection DIN72585 bayonet
58	1	<b>91201-18150</b>	Seal ring	D18/22x1.5 Cu

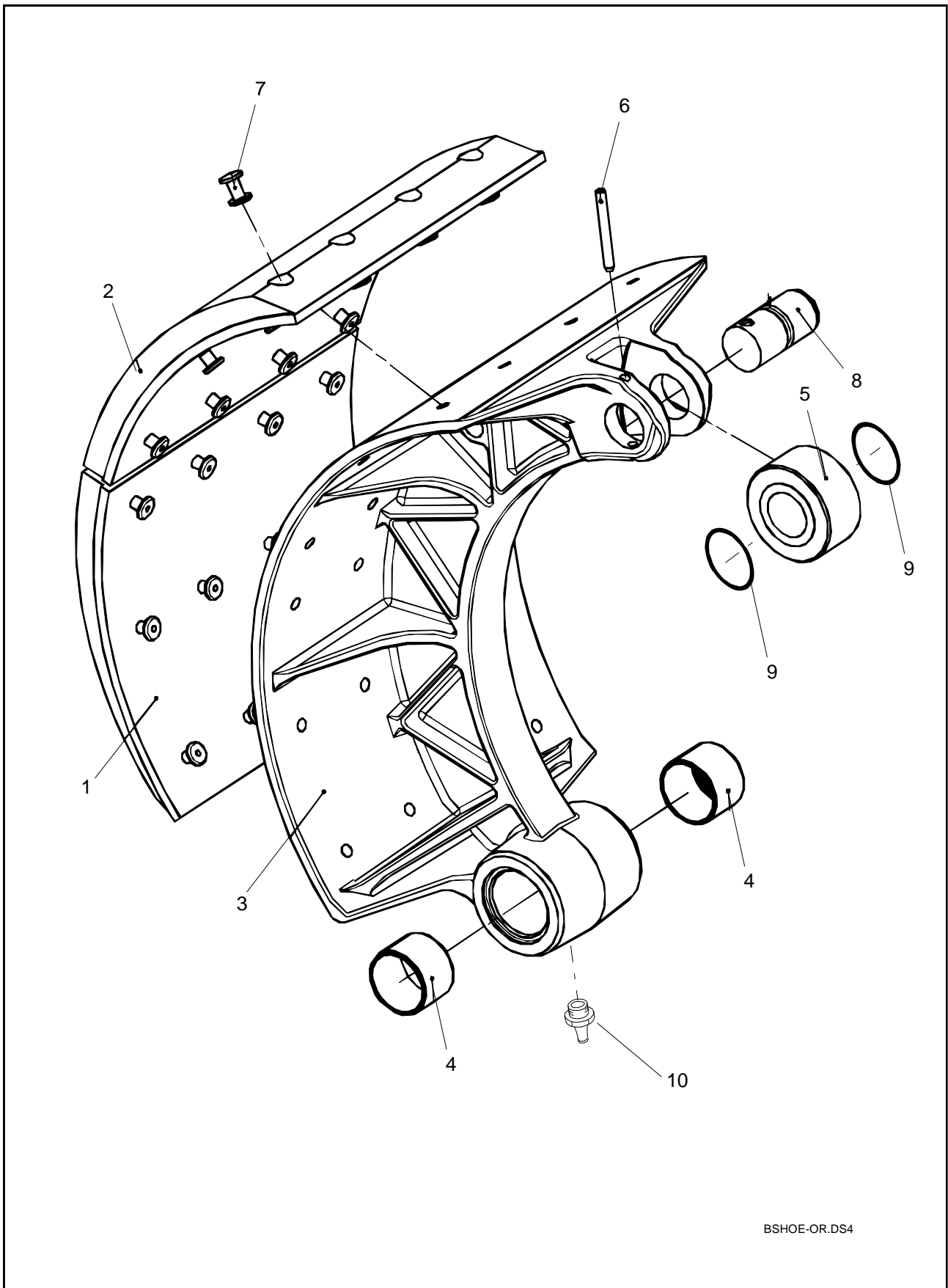


FSDP09JA.DS4

Item	Qty.	Order no.	Description	Note
1	2	90550-16247	Nut	M16 self locking
2	10	592055-18330	Disc spring	D18.3/35.5x0.9
3	2	146-520-1811	Slack adjuster	R145, offset 0, manual
3	2	146-530-0611	Slack adjuster	R145, offset 0, automatic
3	1	546-530-3211	Slack adjuster	RH, 165 mm, offset 56
3	1	546-530-3221	Slack adjuster	LH, 165 mm, offset 56
4	2	91402-08003	Grease nipple	M8x1
5	2	91421-06060	Shield hat	
6	2	146-591-0270	Retainer sleeve	
7	2	91122-04201	Shaft seal	D42/55x8
8	2	090-060-4220	Needle bush	D52/42x20
9	2	90303-08203	Hex Screw	M8x20
10	2	90705-08423	washer	D8.4/17x1.6
11	2	90705-08423	washer	D8.4/17x1.6
12	2	90502-08133	Nut	M8
13	1	146-592-0600	Lock plate	RH, for slack adjuster -0611
13	1	146-592-0610	Lock plate	LH, for slack adjuster -0611
13	1	146-592-1000	Lock plate	RH, for slack adjuster -3211
13	1	146-592-1010	Lock plate	LH, for slack adjuster -3221
14	4	90303-08123	Hex Screw	M8x12
15	2	146-221-1010	Bearing housing	
16	2	090-060-4220	Needle bush	D52/42x20
17	2	91122-04201	Shaft seal	D42/55x8
18	2	91726-43065	Support ring	D43/65x3
19	1	146-211-7800	S-cam shaft	RH
19	1	146-211-7900	S-cam shaft	LH
20	1	146-131-6300	Dust Shield	RH
20	1	146-131-6310	Dust Shield	LH
21	2	590775-51550	Shield plug	D15, w/o ABS, since S/N 152541 (6/2005)
21	2	592234-14101	Rubber bushing	ABS, D10/14, since S/N 152541 (6/2005)
21	2	90775-41015	Shield plug	D10, w/o ABS, up to S/N 152540 (6/2005)
21	2	92234-10031	Rubber bushing	ABS, D3/10, up to S/N 152540 (6/2005)
22	12	90303-08123	Hex Screw	M8x12
23	4	095-553-2000	Shield plug	D33/44
24	6	599-601-8900	Bush	D12/20/25x36
25	4	92052-30002	Return spring	D30x165.5
26	6	90303-12603	Hex Screw	M12x60
27	6	90705-13023	washer	D13/24x2.5
28	2	90311-16608	Allen Screw	M16x60, up to S/N 152540 (6/2005)
29	4	90313-16308	Allen Screw	M16x30
30	4	90303-10203	Hex Screw	M10 x 20 - DIN 933 - 8.8
31	2	146-331-0500	Anchor support	
32	8	590-313-2091	Sleeve	D32/36x25
33	4	146-351-4000	Brake shoe	180 mm, o-ring sealing
33	4	546-351-4600	Brake shoe	180 mm, with grease nipple
36	96	91501-00819	Rivet	Included in brake lining set
37	4	146-371-0700	Roller	
38	4	90602-05450	Spring cotter	D5x40
39	4	146-373-0201	Pin	
40	4	146-341-1210	Anchor bolt	W/o grease nipple
40	4	546-341-1300	Anchor bolt	With grease boring
41	2	146-311-7400	Brake drum	
44	4	546-306-0052	Brake shoe assy	180 mm, DB5010
44	4	546-306-0252	Brake shoe assy	180 mm, DB5010, with grease nipple
45	2	546-360-3012	Brake lining set	180mm, DB5010, for one wheel
47	2	189-250-0071	Sensor	Wabco, up to S/N 152540 (6/2005)
47	2	589-250-0081	Sensor	Knorr, protected wire, since S/N 152541 (6/2005)
48	2	189-295-0000	Bush	ABS
49	2	189-931-0810	Bracket	ABS
50	4	90313-08208	Allen Screw	ABS, M8x20
51		N1	Note	See separate pages
52		N1	Note	See separate pages
53	2	172-101-2241	Brake chamber	20"
54	8	91106-36212	O-ring	D36,2x3 Viton



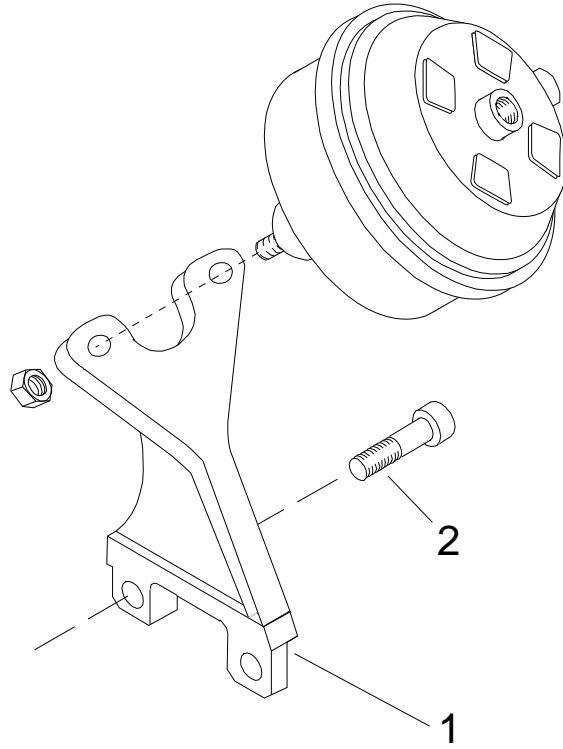
Item	Qty.	Order no.	Description	Note
1	2	90550-16247	Nut	M16 self locking
2	10	592055-18330	Disc spring	D18.3/35.5x0.9 (Supercedes item 92055-18323)
3	1	546-530-3511	Slack adjuster	RH, 165 mm, offset 28.5
3	1	546-530-3521	Slack adjuster	LH, 165 mm, offset 28.5
4	2	91402-08003	Grease nipple	M8x1
5	2	91421-06060	Shield hat	
6	2	146-591-0270	Retainer sleeve	
7	2	91122-04201	Shaft seal	D42/55x8
8	2	090-060-4220	Needle bush	D52/42x20
9	2	90502-08133	Nut	M8
10	2	90705-08423	washer	D8.4/17x1.6
11	2	90705-08423	washer	D8.4/17x1.6
12	2	90502-08133	Nut	M8
13	2	90177-01203	Stud bolt	M12/M8, L=94
14	4	90502-12193	Nut	M12
15	2	146-221-1010	Bearing housing	
16	2	090-060-4220	Needle bush	D52/42x20
17	2	91122-04201	Shaft seal	D42/55x8
18	2	91726-43065	Support ring	D43/65x3
19	1	146-211-7800	S-cam shaft	RH
19	1	146-211-7900	S-cam shaft	LH
20	1	146-131-6300	Dust Shield	RH
20	1	146-131-6310	Dust Shield	LH
21	2	590775-51550	Shield plug	D15, w/o ABS, since S/N 152541 (6/2005)
21	2	592234-14101	Rubber bushing	ABS, D10/14, since S/N 152541 (6/2005)
21	2	90775-41015	Shield plug	D10, w/o ABS, up to S/N 152540 (6/2005)
21	2	92234-10031	Rubber bushing	ABS, D3/10, up to S/N 152540 (6/2005)
22	12	90303-08123	Hex Screw	M8x12
23	4	095-553-2000	Shield plug	D33/44
24	6	599-601-8900	Bush	D12/20/25x36
25	4	92052-30002	Return spring	D30x165.5
26	6	90303-12603	Hex Screw	M12x60
27	6	90705-13023	washer	D13/24x2.5
28	2	90311-16608	Allen Screw	M16x60, up to S/N 152540 (6/2005)
29	4	90313-16308	Allen Screw	M16x30
30	4	90303-10203	Hex Screw	M10 x 20 - DIN 933 - 8.8
31	2	146-331-0500	Anchor support	
32	8	590-313-2091	Sleeve	D32/36x25
33	4	146-351-4000	Brake shoe	180 mm, o-ring sealing
33	4	546-351-4600	Brake shoe	180 mm, with grease nipple
36	96	91501-00819	Rivet	Included in brake lining set
37	4	146-371-0700	Roller	D25/54x28
38	4	90602-05450	Spring cotter	D5x40
39	4	146-373-0201	Pin	D25x50
40	4	146-341-1210	Anchor bolt	W/o grease nipple
40	4	546-341-1300	Anchor bolt	With grease boring
41	8	91106-36212	O-ring	D36,2x3 Viton
44	4	546-306-0052	Brake shoe assy	180 mm, DB5010
44	4	546-306-0252	Brake shoe assy	180 mm, DB5010, with grease nipple
45	2	546-360-3012	Brake lining set	180mm, DB5010, for one wheel
47	2	146-311-7400	Brake drum	
48	2	189-250-0071	Sensor	Wabco, up to S/N 152540 (6/2005)
48	2	589-250-0081	Sensor	Knorr, protected wire, since S/N 152541 (6/2005)
49	2	189-295-0000	Bush	ABS
50	2	189-931-0810	Bracket	ABS
51	4	90313-08208	Allen Screw	ABS, M8x20
52		N1	Note	See separate pages
53		N1	Note	See separate pages



BSHOE-OR.DS4

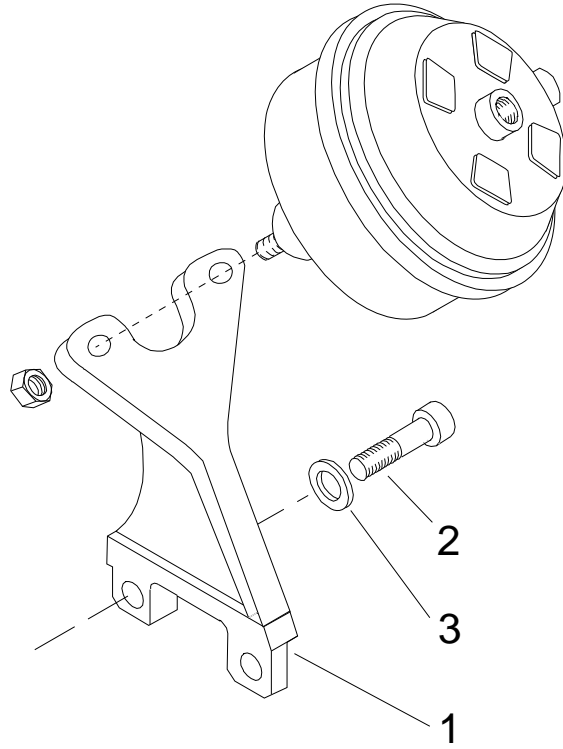


Item	Qty.	Order no.	Description	Note
1,2	ar	<b>546-360-3012</b>	Brake lining set	180mm, DB5010, for one wheel
3	1	<b>546-351-4600</b>	Brake shoe	180 mm, with grease nipple
4	2	<b>590-313-2091</b>	Sleeve	D32/36x25
5	1	<b>546-371-0710</b>	Roller	o-ring sealing
6	1	<b>90602-05450</b>	Spring cotter	D5x40
7	24	<b>91501-00819</b>	Rivet	Included in lining set (pos1,2)
8	1	<b>146-373-0201</b>	Pin	D25x50
9	2	<b>91106-25232</b>	O-ring	D25.2x3
10	1	<b>91402-10003</b>	Grease nipple	M10x1, Straight



M206-062.DS4

Item	Qty.	Order no.	Description	Note
1	1	<b>146-711-2600</b>	Chamber bracket	RH, for 145 mm straight slack adjuster
1	1	<b>146-711-2610</b>	Chamber bracket	LH, for 145 mm straight slack adjuster
1	1	<b>546-711-4100</b>	Chamber bracket	RH, 165 mm, offset 56, 30 deg.
1	1	<b>546-711-4110</b>	Chamber bracket	LH, 165 mm, offset 56, 30 deg.
1	1	<b>546-711-4300</b>	Chamber bracket	RH, 165 mm, offset 28.5, 30 deg.
1	1	<b>546-711-4310</b>	Chamber bracket	LH, 165 mm, offset 28.5, 30 deg.
2	2	<b>90311-20708</b>	Allen Screw	M20x70, Rear
2	2	<b>90311-20808</b>	Allen Screw	M20x80, Forward



M206-079.DS4

Item	Qty.	Order no.	Description	Note
1	1	<b>546-711-4101</b>	Chamber bracket	RH, 165 mm, offset 56, 30 deg.
1	1	<b>546-711-4111</b>	Chamber bracket	LH, 165 mm, offset 56, 30 deg.
1	1	<b>546-711-4301</b>	Chamber bracket	RH, 165 mm, offset 28.5, 30 deg.
1	1	<b>546-711-4311</b>	Chamber bracket	RH, 165 mm, offset 28.5, 30 deg.
2	4	<b>90311-20708</b>	Allen Screw	M20x70
3	4	<b>590710-21047</b>	washer	DIN 6916 21-37, HV10