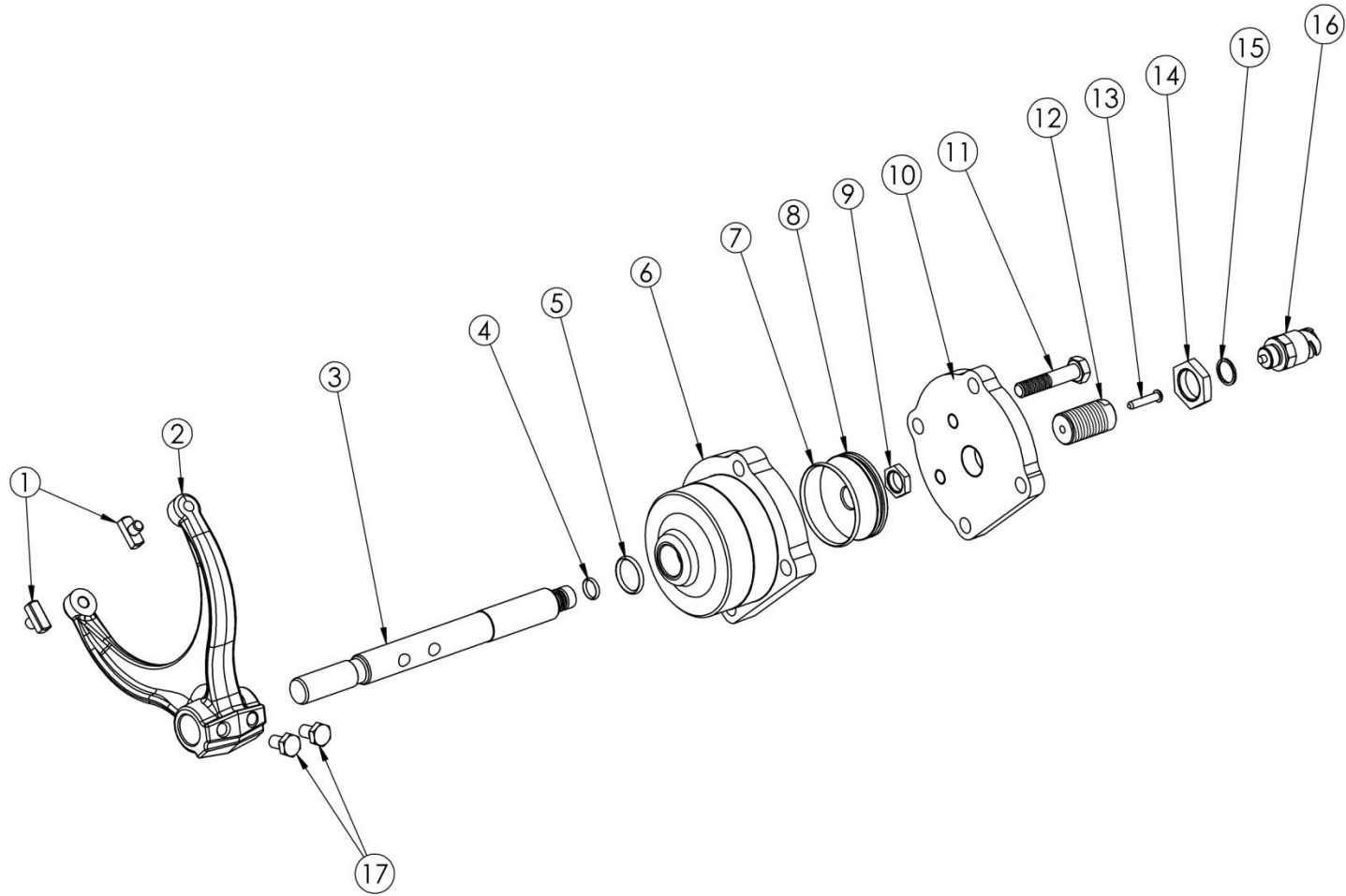


HI-LO SHIFTING T60



Marmon-Herrington

