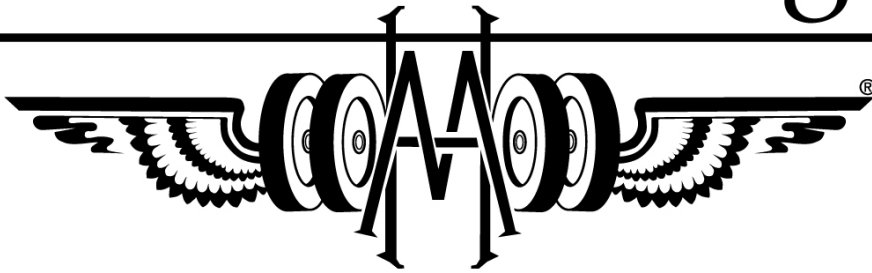


Marmon-Herrington



SERVICE PARTS MANUAL FOR T30 420 SERIES

Rev: 1

Date: 10/08/12

MARMON-HERRINGTON ALL-WHEEL DRIVE

WWW.MARMON-HERRINGTON.COM

13001 Magisterial Drive Louisville, KY 40223

(502) 253-0277 * (800) 227-0727 * Fax (502) 253-0317

E-mail: info@marmon-herrington.com

TABLE OF CONTENTS

REPLACEMENT PARTS & WARRANTY CLAIM PROCEDURE	3
COMPLETE TRANSFER CASE.....	4
MODEL IDENTIFICATION.....	5
FLANGE IDENTIFICATION.....	6
FRONT HOUSING.....	8-9
DTC FLANGE ADAPTER.....	10-11
FRONT HOUSING TUBING.....	12-13
REAR HOUSING.....	14-15
INPUT SHAFT COVER.....	16-17
INTERMEDIATE SHAFT COVER.....	18-19
DTC INPUT SHAFT.....	20-21
RTC INPUT SHAFT.....	22-23
INTERMEDIATE SHAFT.....	24-25
OUTPUT SHAFT NON-PD.....	26-27
OUTPUT SHAFT PD OPTION.....	28-29
PLANETARY DIFFERENTIAL.....	30-31
HI-LO SHIFTING.....	32-33
FRONT DECLUTCH ASSEMBLY.....	34-35
PARKING BRAKE.....	36-37



REPLACEMENT PARTS

When ordering replacement parts for **MARMON-HERRINGTON TRANSFER CASES**, the following information should be given:

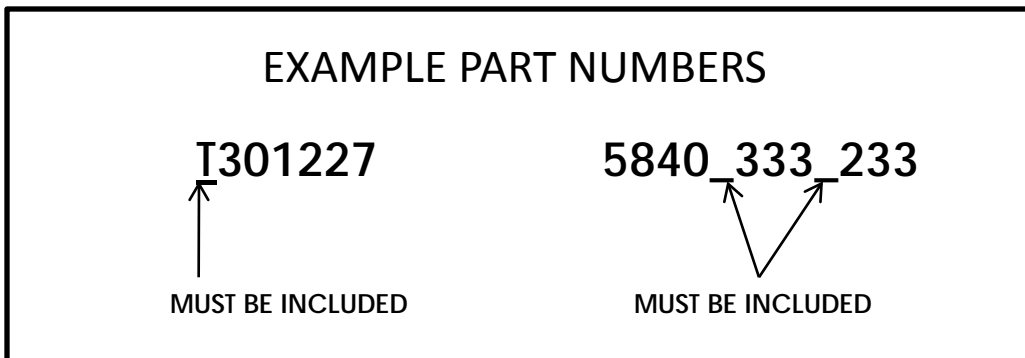
1. **FACTORY ORDER NUMBER.** Found on ID Plate affixed to Transfer Case Housing. This will be a six (6) digit number. (See illustration below)
2. Model of transfer case, i.e T-30, T-60
3. Give quantity and complete part number including **ALL CHARACTERS** (including zeros (0), dashes (-), underscores (_), and spaces). **Note:** Drivelines, shift linkages, etc., can be found on the computer printout of Bill of Material, which is included in the Service Manual.
4. Give complete billing and shipping address.

WARRANTY CLAIM PROCEDURE

Before proceeding with repairs or ordering parts that you feel may be covered under warranty, you must first contact Marmon-Herrington Customer Service Department and obtain a Repair Authorization number.

Please be prepared to supply all of the following information:

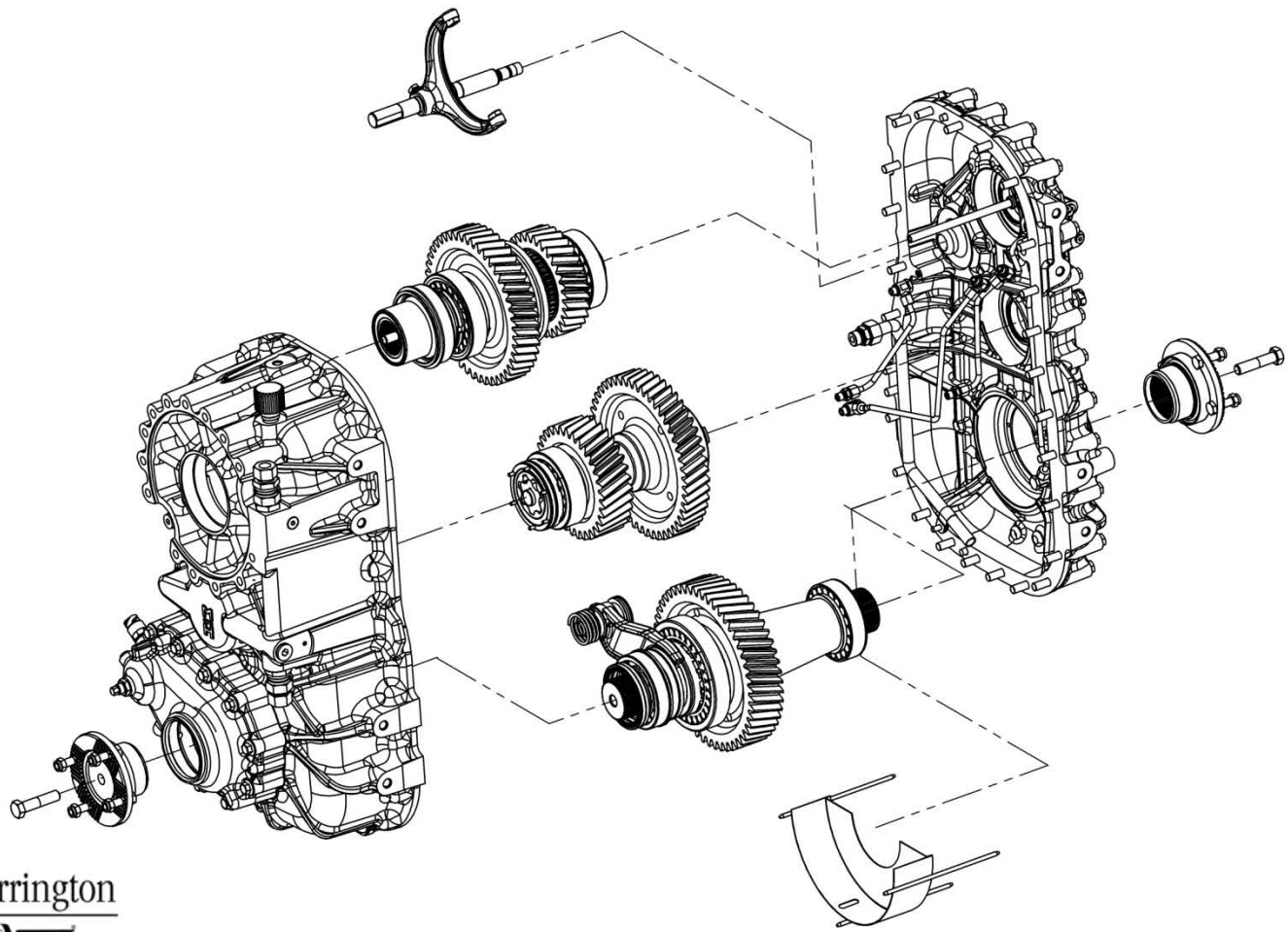
- Factory Order Number**- This is located on an ID plate fixed to either the driver's door panel or the component (axle or transfer case) itself.
- Model and Serial Number** (Required)- Again located on the ID plate fixed to either the driver's door panel or the component itself.
- Vehicle year, Make and Model**
- Vehicle Identification Number**
- Mileage**
- In Service Date**



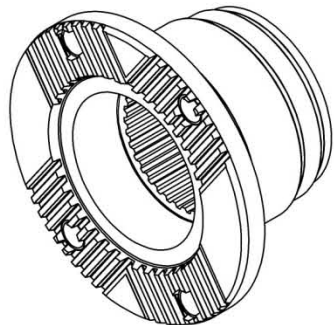
The information necessary for replacement parts and/or warranty claim procedures will be found on the ID Plate



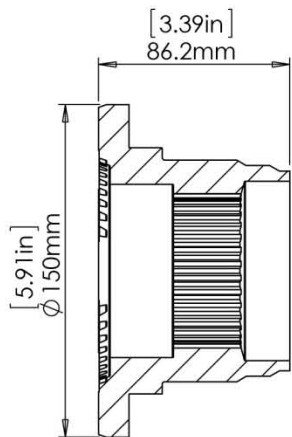
T30 SERIES T30-420



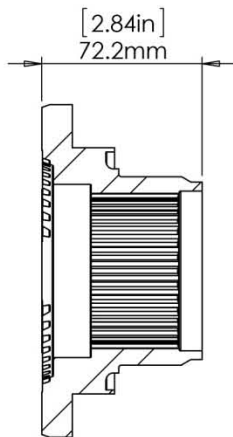
FLANGE IDENTIFICATION



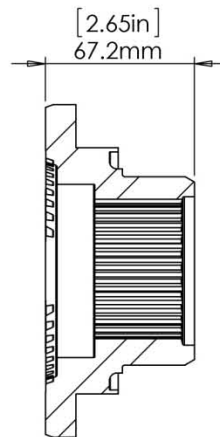
KV 150 Series



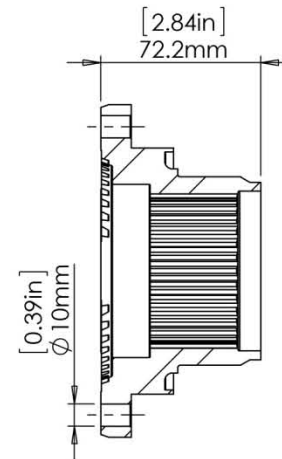
11060220261
Input Flange
34 Spline



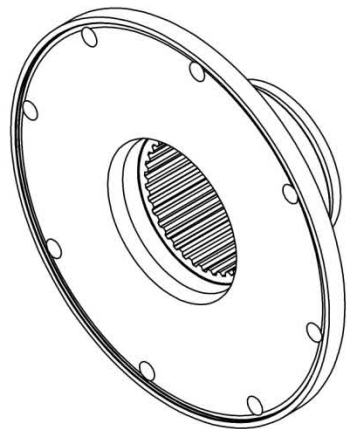
11060220251
Rear Output Flange
34 Spline



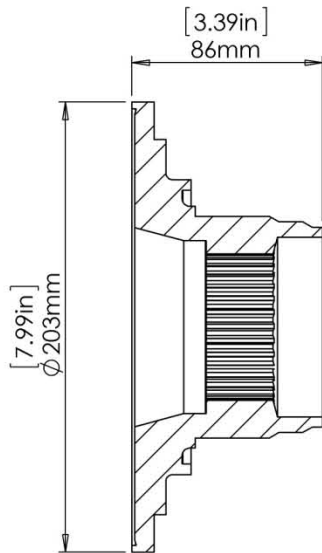
11060220031
Front Output Flange
31 Spline



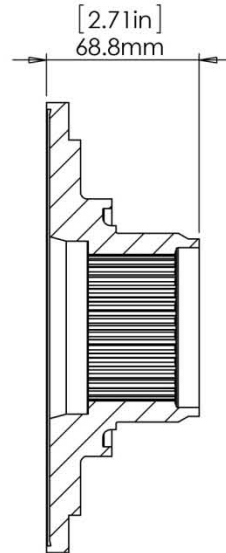
11060220271
Rear Output Flange
Parking Brake
34 Spline



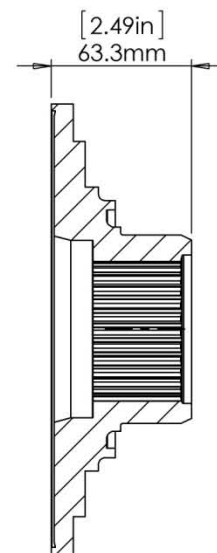
1710 Series



11060220301
Input Flange
34 Spline



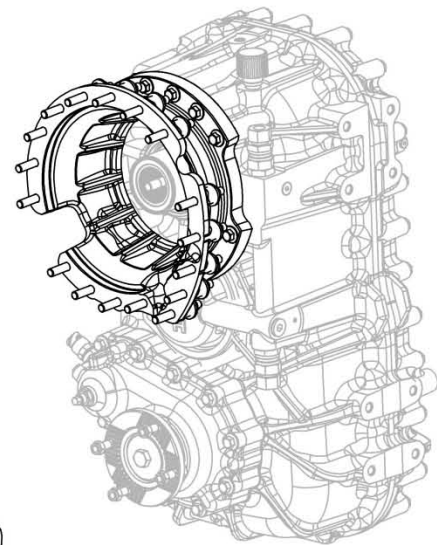
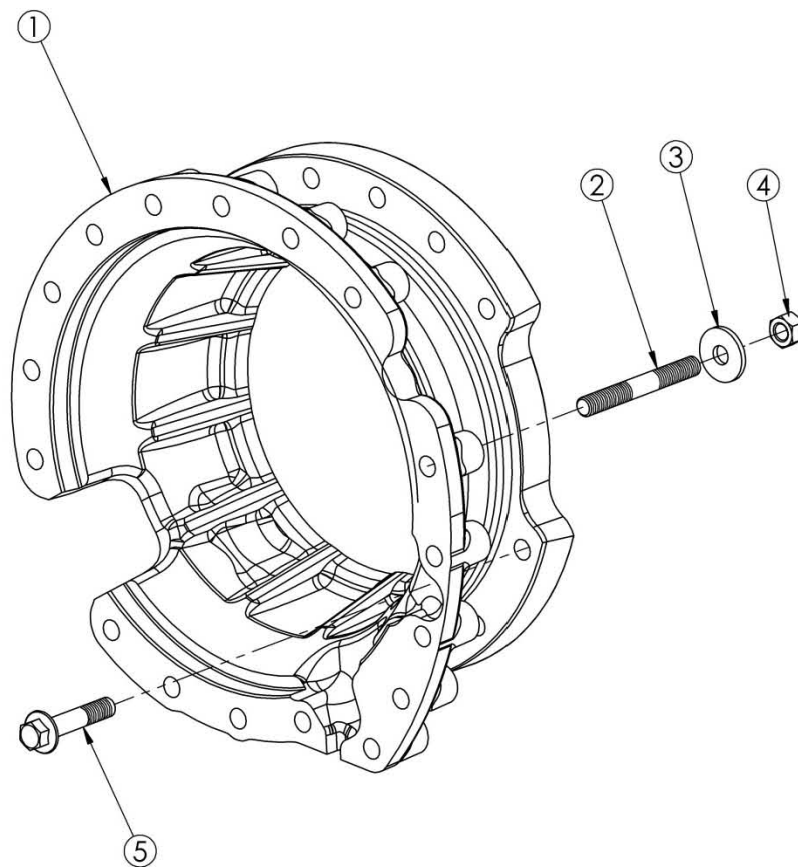
11060220311
Rear Output Flange
34 Spline



11060220291
Front Output Flange
31 Spline

This Page Left Intentionally Blank

DTC FLANGE T30



ITEM NO.	PART NUMBER	DESCRIPTION	QTY.	ITEM NO.	PART NUMBER	DESCRIPTION	QTY.
1	T301001	DTC Adapter Flange	1				
2	T301002	Stud M12x80	17				
3	T301003	Washer M12	17				
4	T301004	Nut M12x1.75	17				
5	T301005	Bolt M12x60	14				

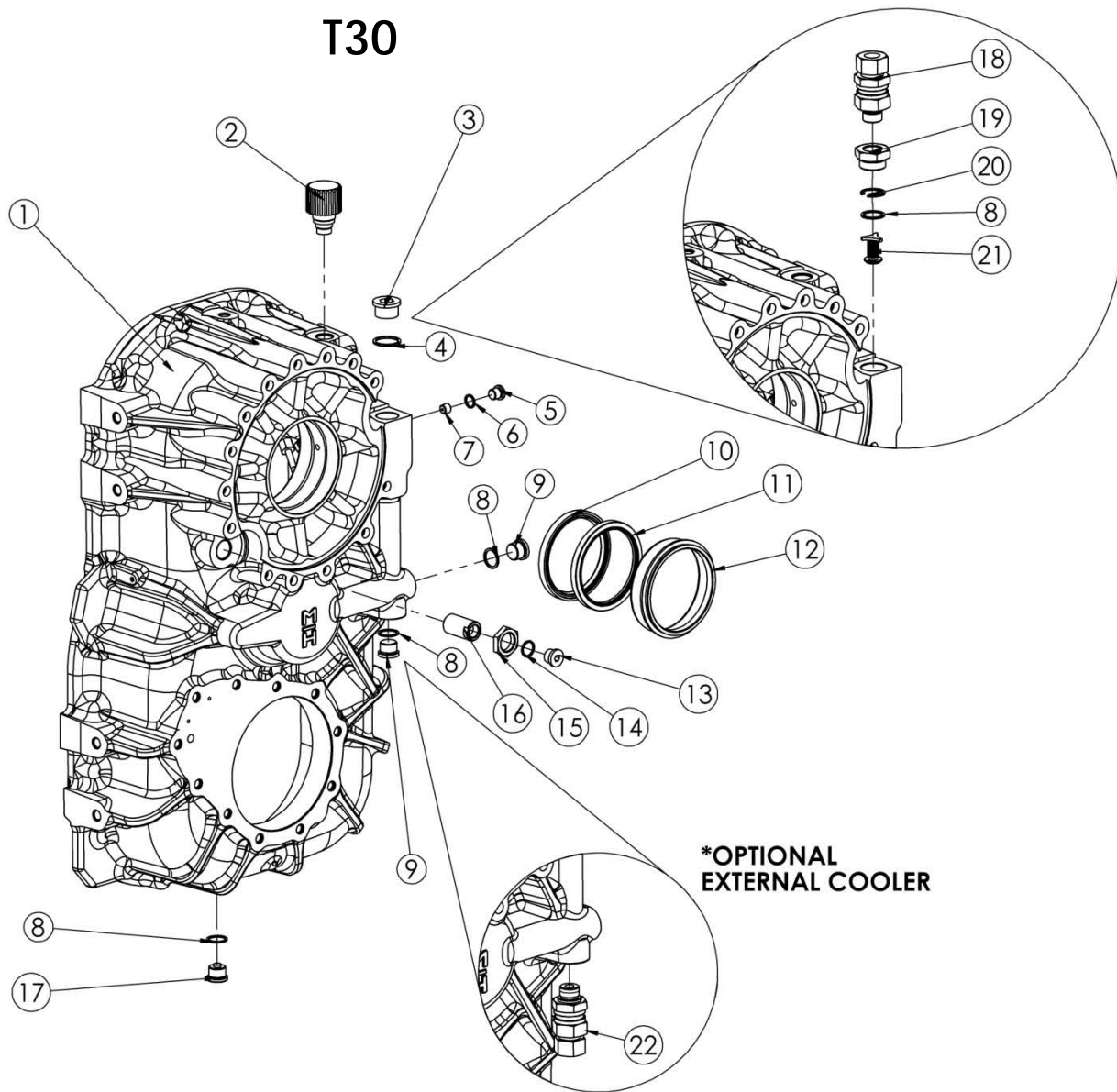
MARMON-HERRINGTON ALL-WHEEL DRIVE
 13001 Magisterial Drive Louisville, KY 40223
 (502) 253-0277 * (800) 227-0727 * Fax (502) 253-0317
 E-mail: info@marmon-herrington.com

DTC FLANGE
T30



FRONT HOUSING T30

***OPTIONAL
EXTERNAL COOLER**



Marmon-Herrington



WWW.MARMON-HERRINGTON.COM

ITEM NO.	PART NUMBER	DESCRIPTION	QTY.	ITEM NO.	PART NUMBER	DESCRIPTION	QTY.
1	T301006	DTC Front Housing	1				
*Option	T301007	RTC Front Housing	1	*OPTIONAL-EXTERNAL COOLER			
2	T301008	Breather Filter	1	T301024	53501230171	Check Valve RZ	1
3	T301009	Plug Screw M30x1.5	1	T301025	11060230181	Reducer	1
4	T301010	Sealing Ring A30x36	1	T301026	00025216540	Retaining Ring 27x1.2	1
5	T301011	Plug Screw M14x1.5	1	T301014	00030213220	Sealing Ring A22x27	1
6	T301012	Sealing Ring A14x18	1	T301028	11060210161	Pressure Relief Valve	1
7	T301013	Restrictor Plug	1	T301029	53501230121	Check Valve RV	1
8	T301014	Sealing Ring A22x27	3				
9	T301015	Plug Screw M22x1.5	2				
10	T601044	Seal, Inner 120x100x10	1				
11	T601043	Seal, Outer 120x100x10	1				
12	T301018	Seal Holder	1				
13	T301019	Plug Screw M18x1.5	1				
14	T301020	Sealing Ring A18x22	1				
15	T301021	Nut M26x1.5	1				
16	T301022	Adjuster Screw	1				
17	T301023	Drain Plug Magnetic M22x1.5	1				

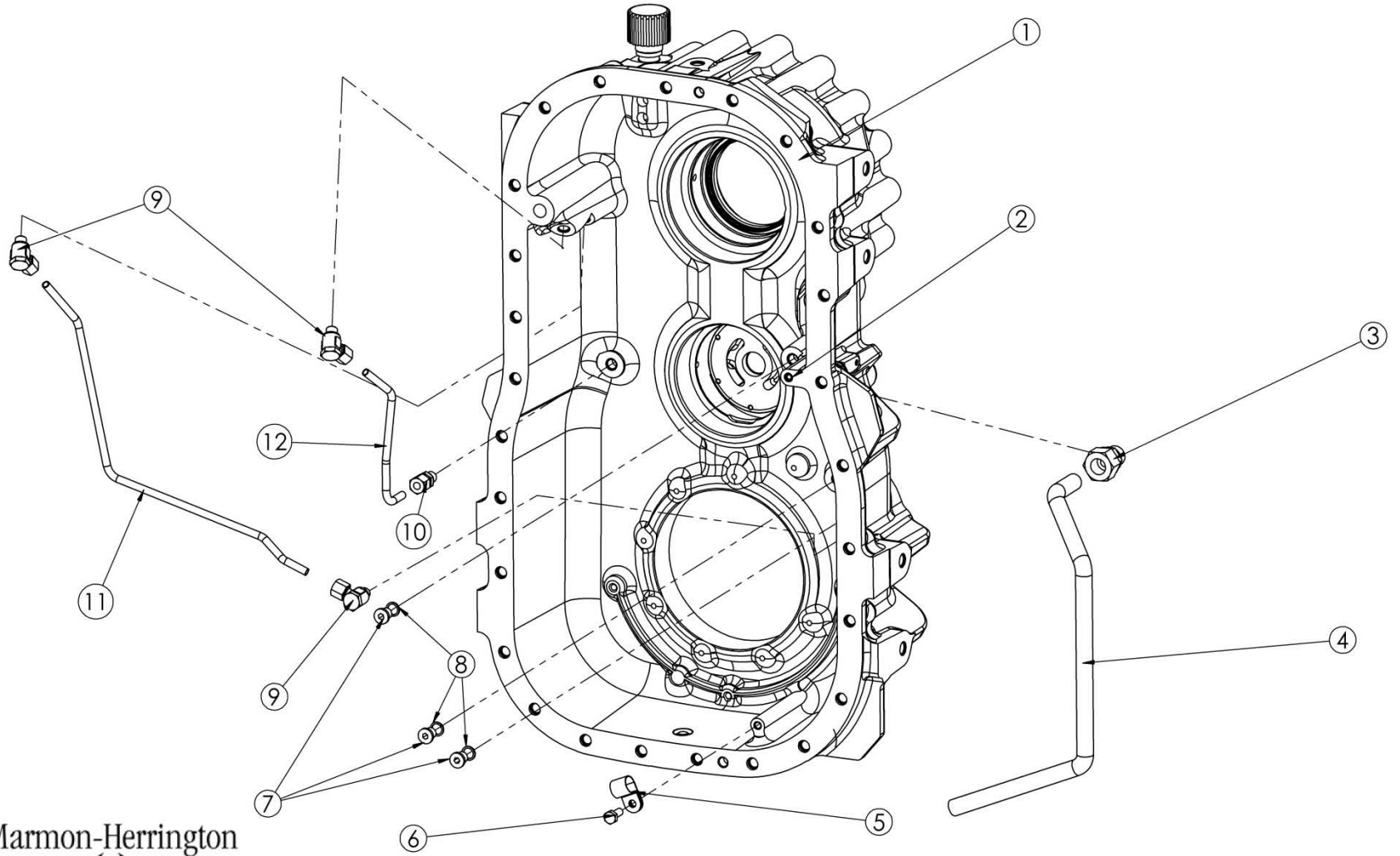
MARMON-HERRINGTON ALL-WHEEL DRIVE

13001 Magisterial Drive Louisville, KY 40223
 (502) 253-0277 * (800) 227-0727 * Fax (502) 253-0317
 E-mail: info@marmon-herrington.com

FRONT HOUSING
T30



FRONT HOUSING TUBING T30



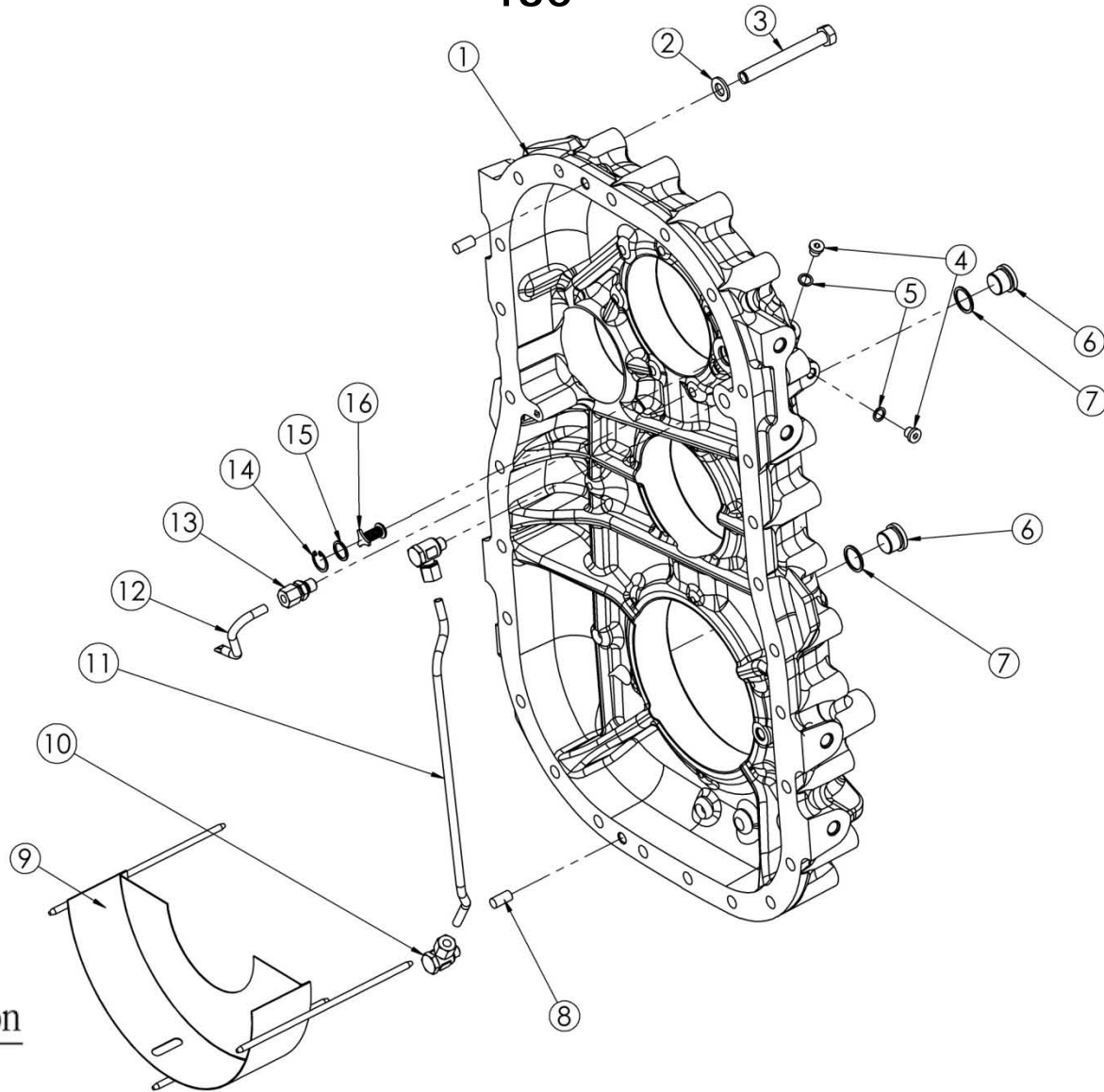
ITEM NO.	PART NUMBER	DESCRIPTION	QTY.	ITEM NO.	PART NUMBER	DESCRIPTION	QTY.
1	T301006	DTC Front Housing	1				
*Option	T301007	RTC Front Housing	1				
2	T301032	O-Ring 7x1.5	1				
3	T301033	Fitting, 18mm	1				
4	T301034	Oil Pickup Tube	1				
5	T301035	Tube Clamp	1				
6	T301036	Bolt M8x20	1				
7	T301037	Plug Screw M12x1.5	3				
8	T301038	Sealing Ring A12x15.5	3				
9	T301039	Swivel Fitting, 90 degree	3				
10	T301040	Fitting, Straight	1				
11	T301041	Tube, Cross-over	1				
12	T301042	Tube, Short	1				

MARMON-HERRINGTON ALL-WHEEL DRIVE
 13001 Magisterial Drive Louisville, KY 40223
 (502) 253-0277 * (800) 227-0727 * Fax (502) 253-0317
 E-mail: info@marmon-herrington.com

FRONT HOUSING TUBING
T30



REAR HOUSING T30



Marmon-Herrington



ITEM NO.	PART NUMBER	DESCRIPTION	QTY.	ITEM NO.	PART NUMBER	DESCRIPTION	QTY.
1	T301043	Rear Housing	1				
2	T301044	Washer, Wave M12	26				
3	T301045	Bolt M12x100	26				
4	T301046	Plug Screw M10x1	2				
5	T301047	Sealing Ring A10x14	2				
6	T301015	Plug Screw M22x1.5	2				
7	T301014	Sealing Ring A22x27	2				
8	T301050	Dowel Pin M6x20	2				
9	T301051	Oil Deflector Non-PD	1				
*PD Option	T301052	Oil Deflector With PD	1				
10	T301039	Swivel Fitting, 90 degree	2				
11	T301054	Tube	1				
12	T301055	Sprayer Tube	1				
13	T301040	Fitting, Straight	1				
14	T301057	Retaining Ring 21x1	1				
15	T301058	Sealing Ring A16x20	1				
16	T301059	Pressure Relief Valve	1				

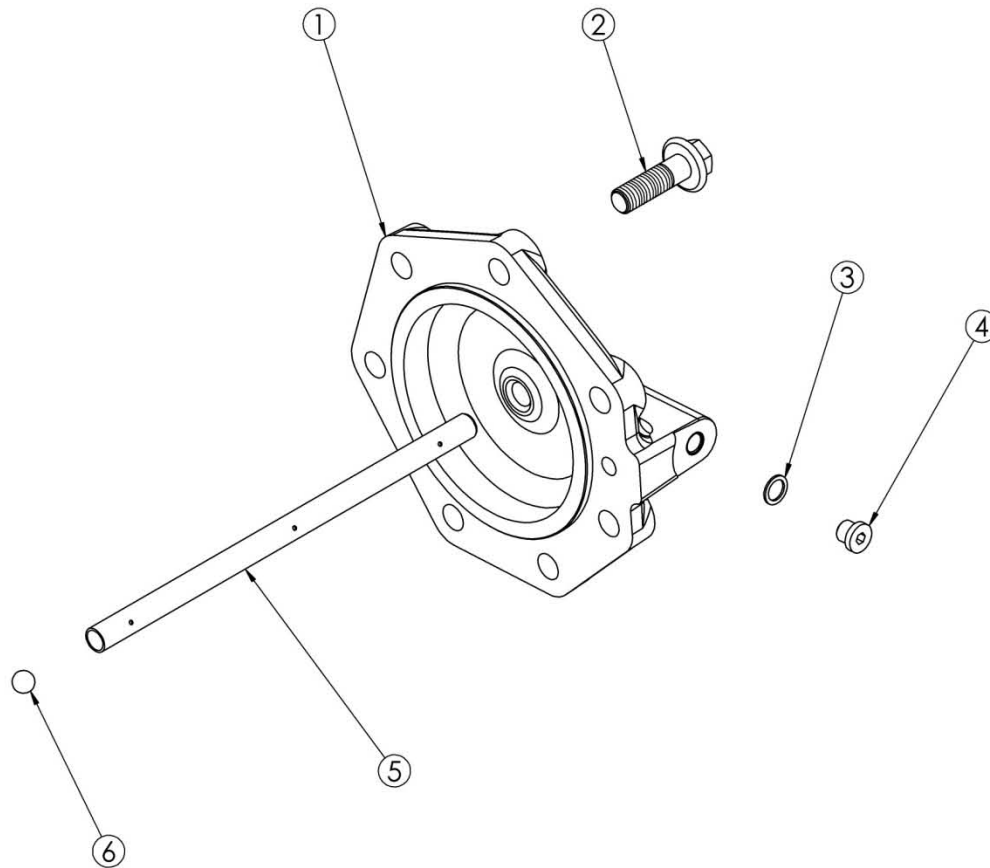
MARMON-HERRINGTON ALL-WHEEL DRIVE

13001 Magisterial Drive Louisville, KY 40223
 (502) 253-0277 * (800) 227-0727 * Fax (502) 253-0317
 E-mail: info@marmon-herrington.com

REAR HOUSING
T30



INPUT SHAFT COVER T30



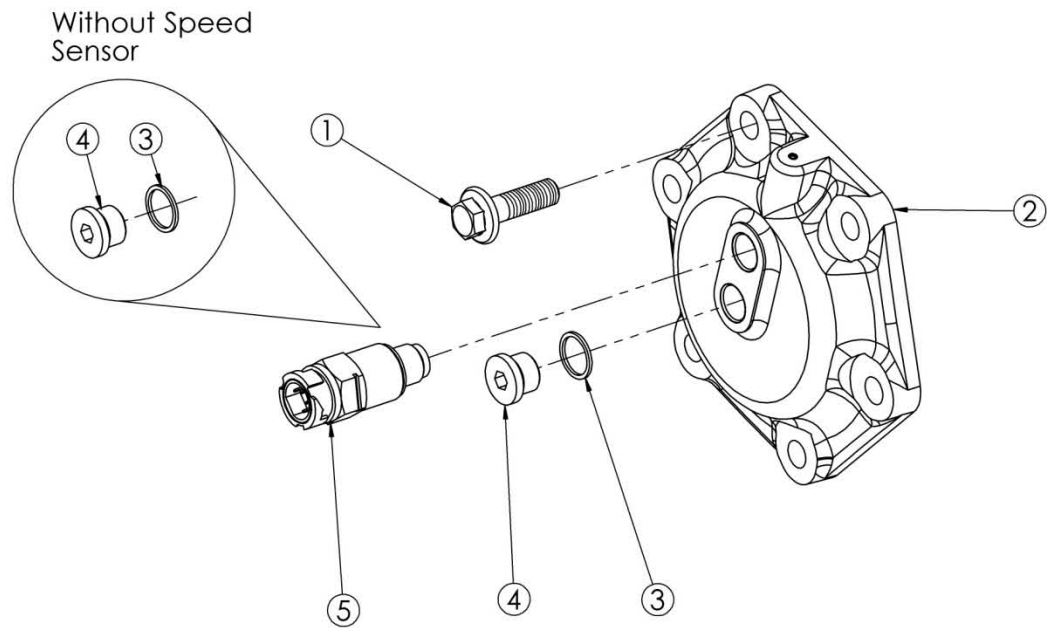
ITEM NO.	PART NUMBER	DESCRIPTION	QTY.	ITEM NO.	PART NUMBER	DESCRIPTION	QTY.
1	T301060	Input Cover Plate	1				
2	T301061	Bolt M12x40	7				
3	T301047	Sealing Ring A10x14	1				
4	T301046	Plug Screw M10x1	1				
5	T301064	Oil Tube Input Shaft	1				
6	T301065	Detent Ball 10.319mm	NSS				
						NSS=Not Sold Separately	

MARMON-HERRINGTON ALL-WHEEL DRIVE
 13001 Magisterial Drive Louisville, KY 40223
 (502) 253-0277 * (800) 227-0727 * Fax (502) 253-0317
 E-mail: info@marmon-herrington.com

INPUT SHAFT COVER
T30



INTERMEDIATE SHAFT COVER T30



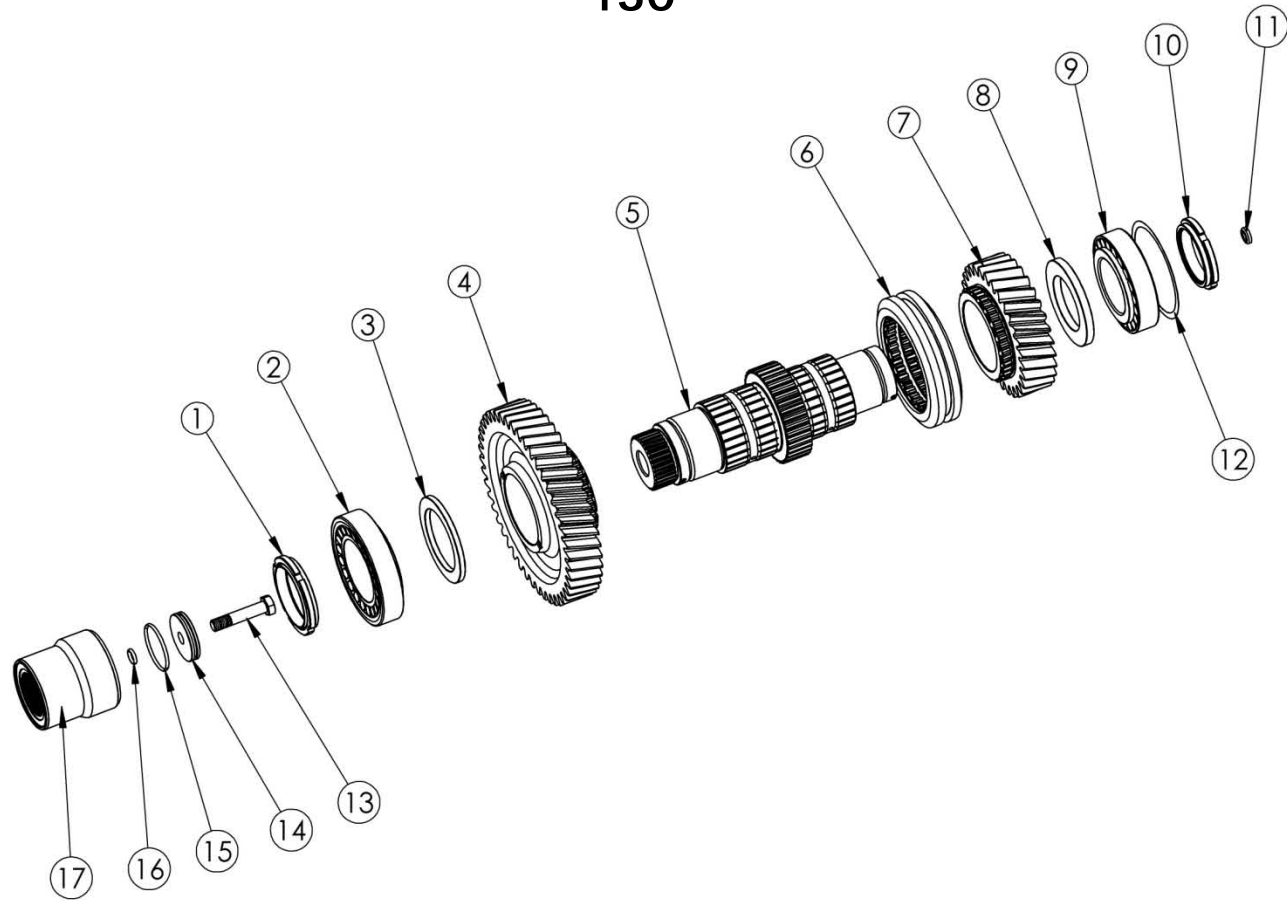
ITEM NO.	PART NUMBER	DESCRIPTION	QTY.	ITEM NO.	PART NUMBER	DESCRIPTION	QTY.
1	T301061	Bolt M12x40	6				
2	T301067	Intermediate Shaft Cover	1				
3	T301020	Sealing Ring A18x22	1				
4	T301019	Plug Screw M18x1.5	1				
5	T301070	Speed Sensor	1				
WITHOUT SPEED SENSOR							
3	T301020	Sealing Ring A18x22	1				
4	T301019	Plug Screw M18x1.5	1				

MARMON-HERRINGTON ALL-WHEEL DRIVE
 13001 Magisterial Drive Louisville, KY 40223
 (502) 253-0277 * (800) 227-0727 * Fax (502) 253-0317
 E-mail: info@marmon-herrington.com

**INTERMEDIATE SHAFT
 COVER
 T30**



DTC INPUT SHAFT T30



WWW.MARMON-HERRINGTON.COM

ITEM NO.	PART NUMBER	DESCRIPTION	QTY.	ITEM NO.	PART NUMBER	DESCRIPTION	QTY.
1	T301071	Groove Nut M78	1	13	T301087	Bolt M14x70	1
2	T301072	Bearing 140x80x33	1	14	T301088	Washer, Input Shaft	1
3	T301073	Thrust Washer 7mm	1	15	T301089	O-Ring 55x3	1
4	T301074	Drive Gear 46T	1	16	T301090	O-Ring	1
5	T301075	Input Shaft	1	17	T301091	Connection Flange	1
6	T301076	Coupler	1				
7	T301077	Drive Gear 30T	1				
8	T301078	Thrust Washer 10mm	1				
9	T301079	Bearing 125x70x31	1				
10	T301080	Groove Nut M68	1				
11	T301081	Guide Bushing	1				
12	T301082A	Shim 124.8x110x0.15	AR				
	T301082B	Shim 124.8x110x0.2	AR				
	T301083C	Shim 124.8x110x0.3	AR				
	T301082D	Shim 124.8x110x0.7	AR				
	T301082E	Shim 124.8x110x1.5	AR				
						AR=As Required	

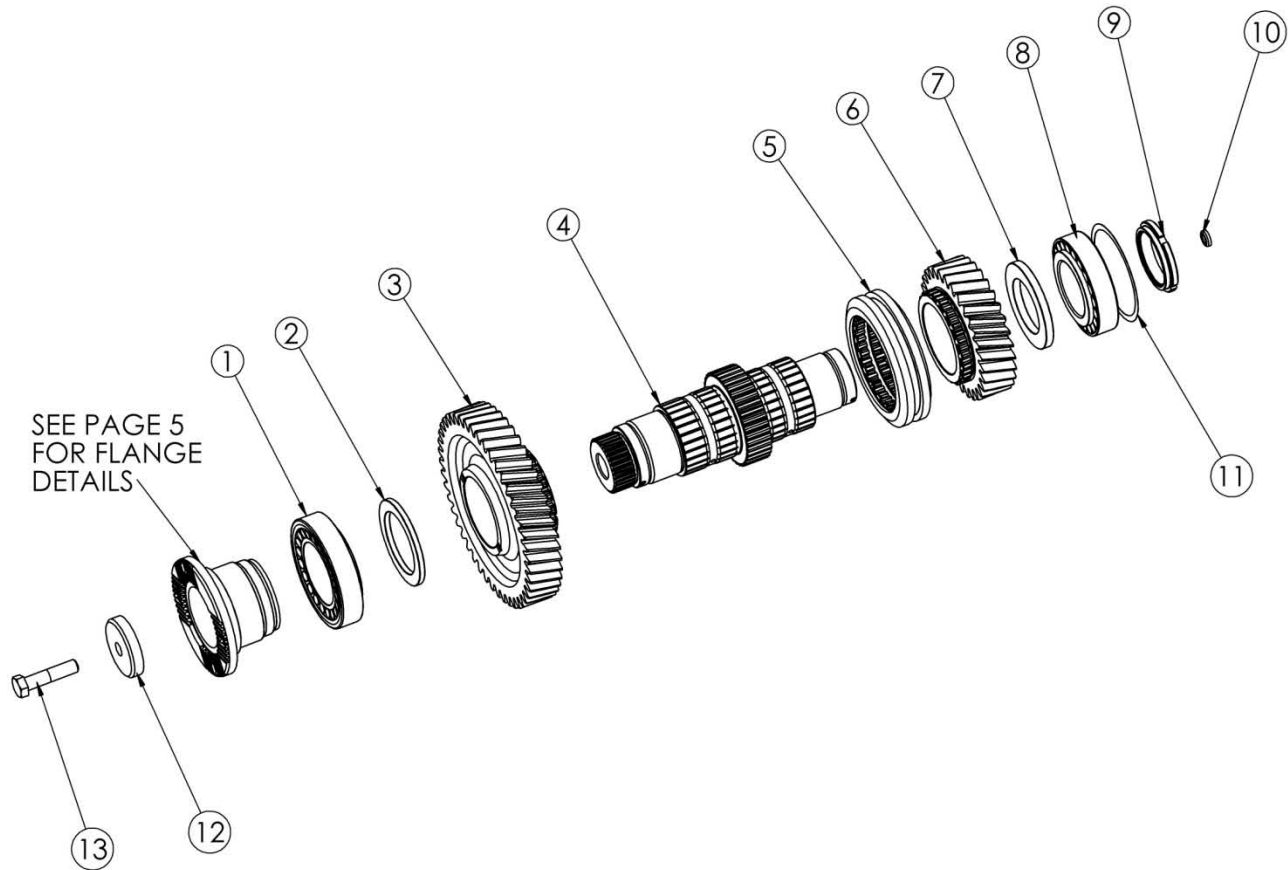
MARMON-HERRINGTON ALL-WHEEL DRIVE

13001 Magisterial Drive Louisville, KY 40223
 (502) 253-0277 * (800) 227-0727 * Fax (502) 253-0317
 E-mail: info@marmon-herrington.com

**DTC INPUT SHAFT
T30**



RTC INPUT SHAFT T30



WWW.MARMON-HERRINGTON.COM

ITEM NO.	PART NUMBER	DESCRIPTION	QTY.	ITEM NO.	PART NUMBER	DESCRIPTION	QTY.
1	T301072	Bearing 140x80x33	1				
2	T301073	Thrust Washer 7mm	1				
3	T301074	Drive Gear 46T	1				
4	T301075	Input Shaft	1				
5	T301076	Coupler	1				
6	T301077	Drive Gear 30T	1				
7	T301078	Thrust Washer 10mm	1				
8	T301079	Bearing 125x70x31	1				
9	T301080	Groove Nut M68	1				
10	T301081	Guide Bushing	1				
11	T301082A	Shim 124.8x110x0.15	AR				
	T301082B	Shim 124.8x110x0.2	AR				
	T301083C	Shim 124.8x110x0.3	AR				
	T301082D	Shim 124.8x110x0.7	AR				
	T301082E	Shim 124.8x110x1.5	AR				
12	T301107	Flange Washer	1				
13	T301108	Bolt M16x70	1				
						AR=As Required	

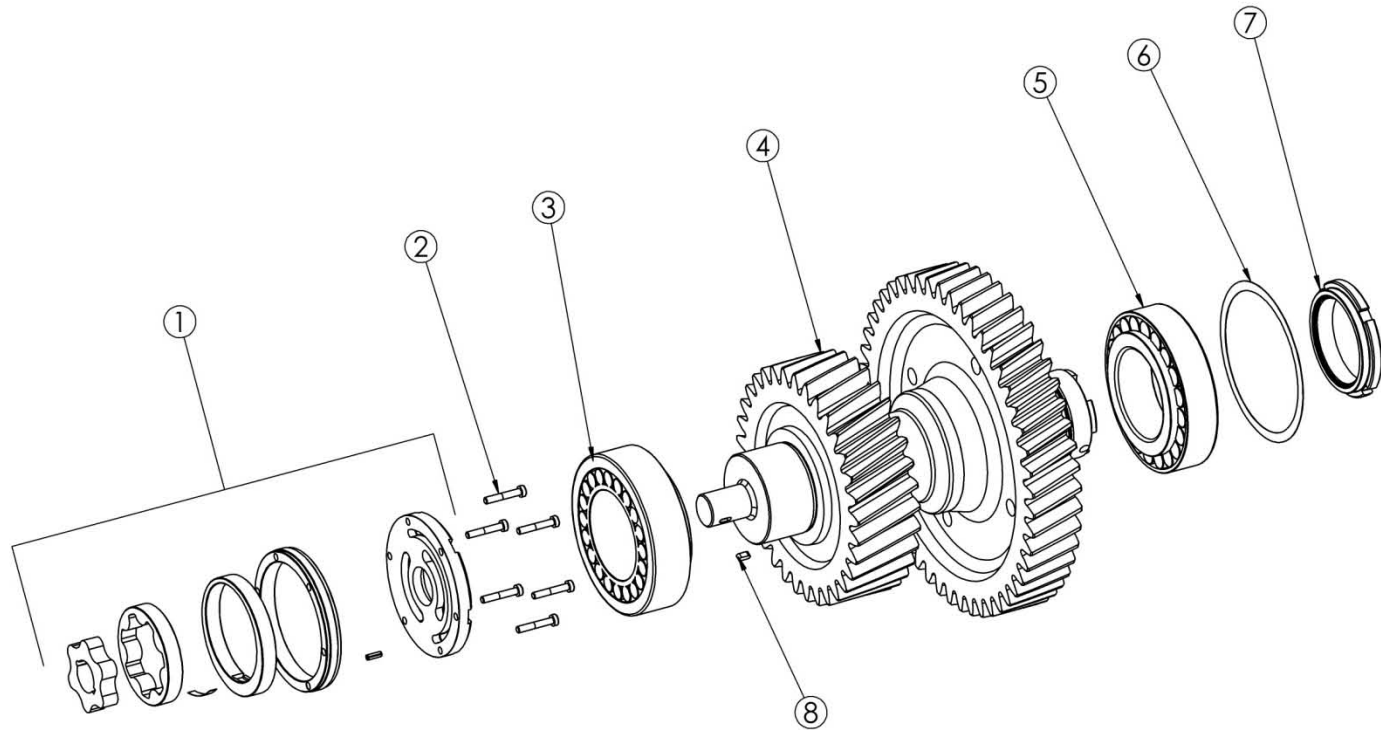
MARMON-HERRINGTON ALL-WHEEL DRIVE

13001 Magisterial Drive Louisville, KY 40223
 (502) 253-0277 * (800) 227-0727 * Fax (502) 253-0317
 E-mail: info@marmon-herrington.com

**RTC INPUT SHAFT
 T30**



INTERMEDIATE SHAFT T30



Marmon-Herrington



WWW.MARMON-HERRINGTON.COM

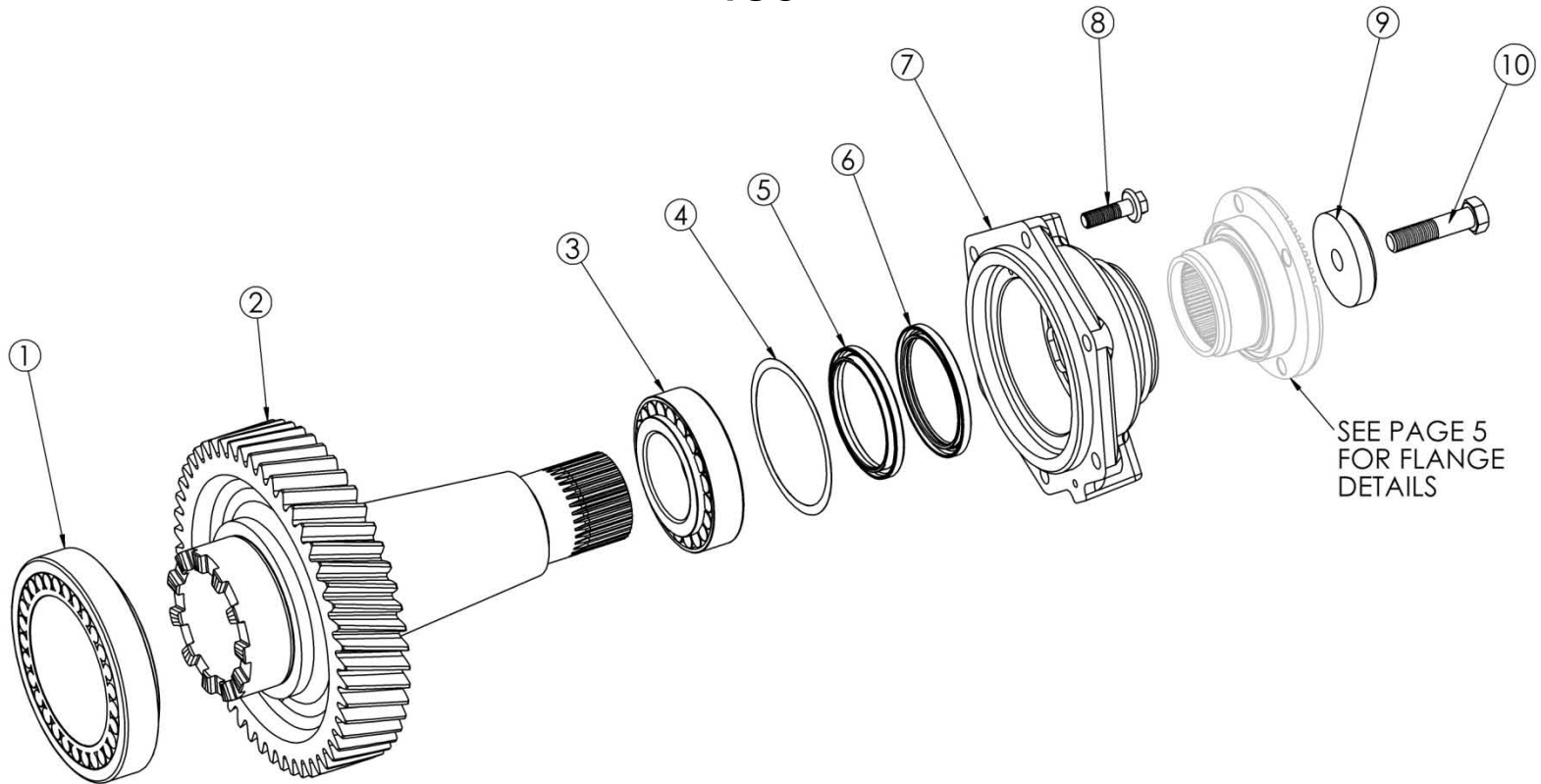
ITEM NO.	PART NUMBER	DESCRIPTION	QTY.	ITEM NO.	PART NUMBER	DESCRIPTION	QTY.
1	T301109	Oil Pump	1				
2	T301110	Bolt M5x30	6				
3	T301111	Bearing 125x70x41	1				
4	T301112	Intermediate Shaft	1				
5	T301079	Bearing 125x70x31	1				
6	T301082A	Shim 124.8x110x0.15	AR				
	T301082B	Shim 124.8x110x0.2	AR				
	T301083C	Shim 124.8x110x0.3	AR				
	T301082D	Shim 124.8x110x0.7	AR				
	T301082E	Shim 124.8x110x1.5	AR				
7	T301080	Groove Nut M68	1				
8	T301120	Key A4x4x10	1				
						AR=As Required	

MARMON-HERRINGTON ALL-WHEEL DRIVE
 13001 Magisterial Drive Louisville, KY 40223
 (502) 253-0277 * (800) 227-0727 * Fax (502) 253-0317
 E-mail: info@marmon-herrington.com

INTERMEDIATE SHAFT
T30



OUTPUT SHAFT NON-PD T30



Marmon-Herrington



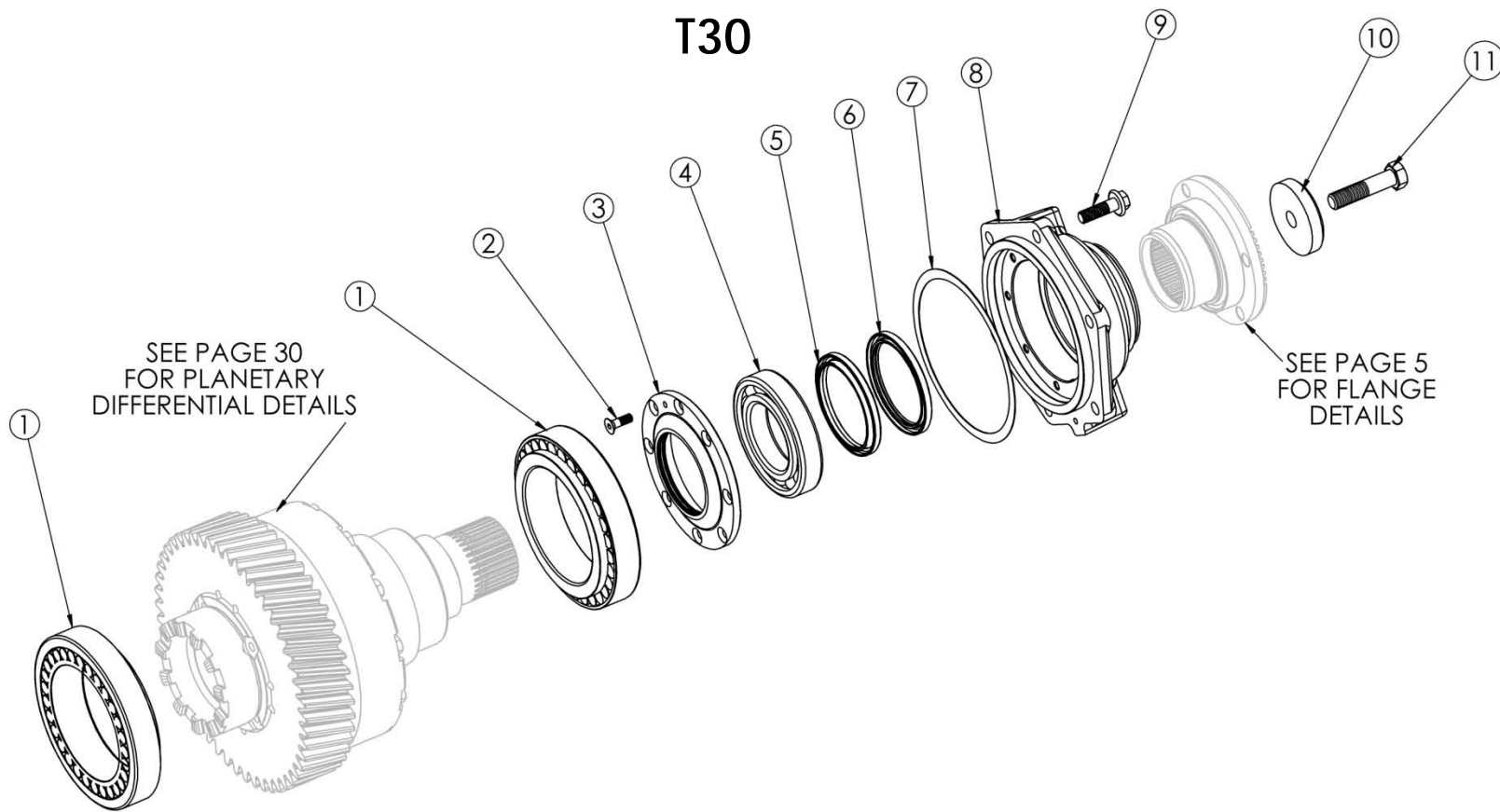
ITEM NO.	PART NUMBER	DESCRIPTION	QTY.	ITEM NO.	PART NUMBER	DESCRIPTION	QTY.
1	T301121	Bearing 180x120x38	1				
2	T301122	Output Shaft 50T (Non-PD)	1				
3	T301079	Bearing 125x70x31	1				
4	T301082A	Shim 124.8x110x0.15	AR				
	T301082B	Shim 124.8x110x0.2	AR				
	T301083C	Shim 124.8x110x0.3	AR				
	T301082D	Shim 124.8x110x0.7	AR				
	T301082E	Shim 124.8x110x1.5	AR				
5	T301129	Seal, Inner 105x85x8	1				
6	T301130	Seal, Outer 105x85x8	1				
7	T301131	Output Cover Rear Non-PD	1				
8	T301061	Bolt M12x40	6				
9	T301107	Flange Washer	1				
10	T301108	Bolt M16x70	1				
						AS=As Required	

MARMON-HERRINGTON ALL-WHEEL DRIVE
 13001 Magisterial Drive Louisville, KY 40223
 (502) 253-0277 * (800) 227-0727 * Fax (502) 253-0317
 E-mail: info@marmon-herrington.com

OUTPUT SHAFT
NON-PD
T30



OUTPUT SHAFT PD OPTION T30



Marmon-Herrington



ITEM NO.	PART NUMBER	DESCRIPTION	QTY.	ITEM NO.	PART NUMBER	DESCRIPTION	QTY.
1	T301121	Bearing 180x120x38	2				
2	T301136	Countersunk Screw M8x25	8				
3	T301137	Labyrinth Ring	1				
4	T301138	Bearing 125x70x24	1				
5	T301129	Seal, Inner 105x85x8	1				
6	T301130	Seal, Outer 105x85x8	1				
7	T301141A	Shim 179.5x160x0.7	AR				
	T301141B	Shim 179.5x160x0.3	AR				
	T301141C	Shim 179.5x160x0.2	AR				
	T301141D	Shim 179.5x160x0.15	AR				
8	T301145	Output Cover Rear PD	1				
9	T301061	Bolt M12x40	6				
10	T301107	Flange Washer	1				
11	T301108	Bolt M16x70	1				
						AR=As Required	

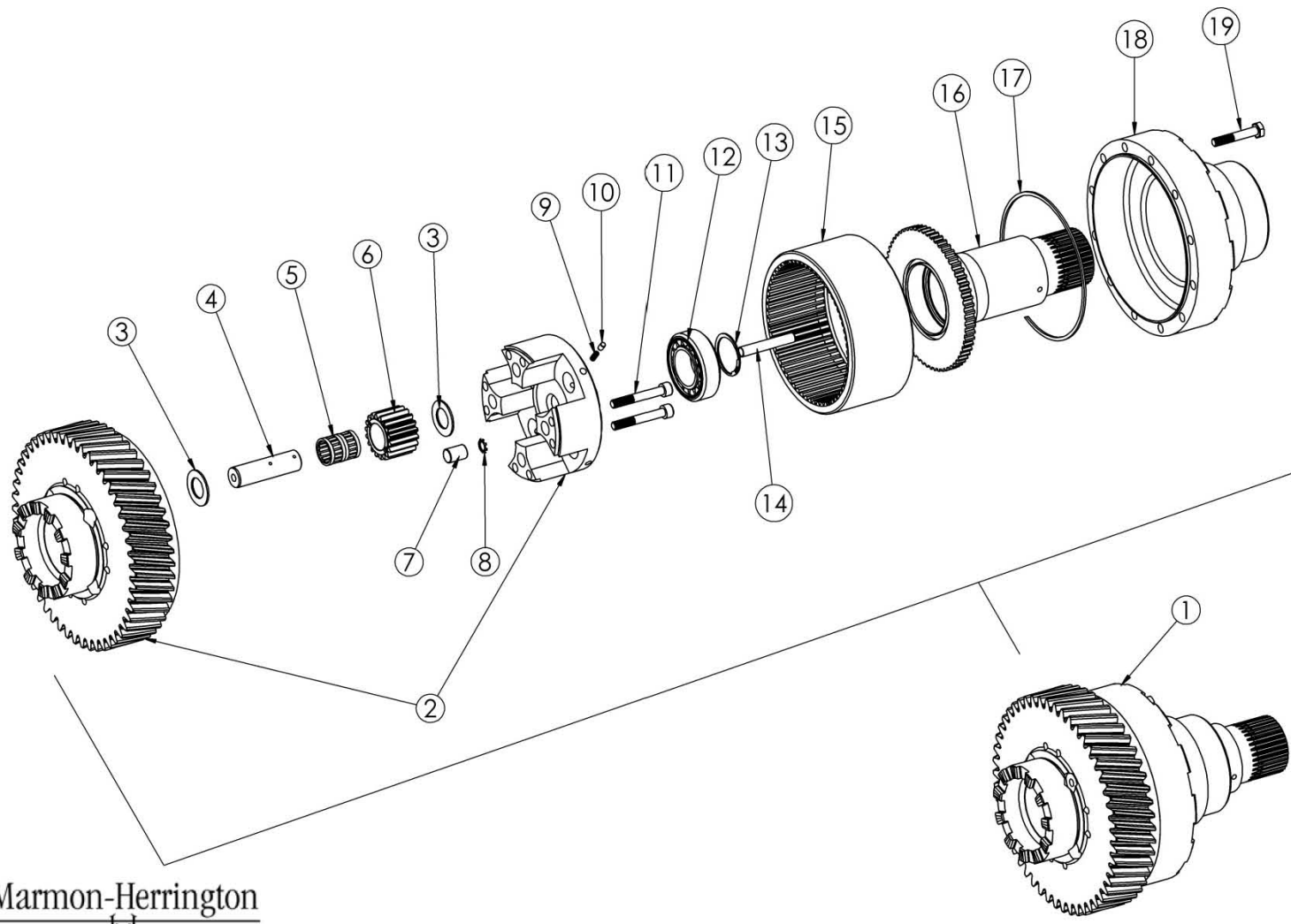
MARMON-HERRINGTON ALL-WHEEL DRIVE

13001 Magisterial Drive Louisville, KY 40223
 (502) 253-0277 * (800) 227-0727 * Fax (502) 253-0317
 E-mail: info@marmon-herrington.com

**OUTPUT SHAFT
 PD OPTION
 T30**



PLANETARY DIFFERENTIAL T30



WWW.MARMON-HERRINGTON.COM

ITEM NO.	PART NUMBER	DESCRIPTION	QTY.	ITEM NO.	PART NUMBER	DESCRIPTION	QTY.
1	T301149	Planetary Differential, Complete	1	18	T301166	Differential Housing Rear	1
				19	T301167	Bolt M10x60	12
2	T301150	Planetary Carrier Assembly (INCLUDES ITEM 11, QTY. 8)	1				
3	T301151	Thrust Washer	8				
4	T301152	Planetary Pin	4				
5	T301153	Needle Bearing	8				
6	T301154	Planetary Gear	4				
7	T301155	Cylindrical Pin 17x24	4				
8	T301156	Toothed Ring	4				
9	T301157	Retaining Spring	4				
10	T301158	Retaining Pin M6x10	4				
11	T301159	Bolt M10x70	8				
12	T301160	Bearing 85x45x23	1				
13	T301161	Retaining Ring AV45	1				
14	T301162	Oil Tube	1				
15	T301163	Ring Gear	1				
16	T301164	Output Shaft PD	1				
17	T301165	Retaining Ring SB180	1				

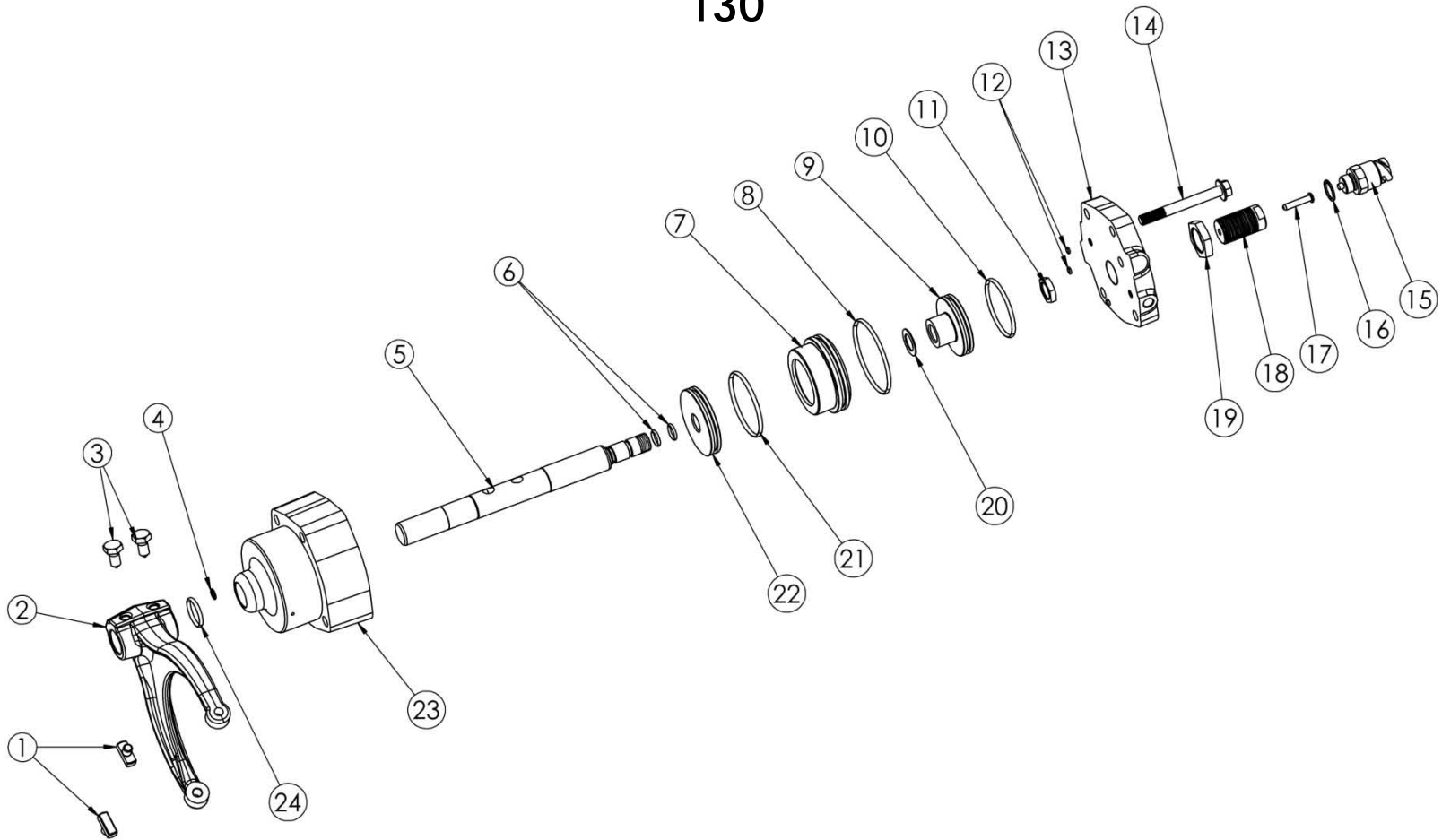
MARMON-HERRINGTON ALL-WHEEL DRIVE

13001 Magisterial Drive Louisville, KY 40223
 (502) 253-0277 * (800) 227-0727 * Fax (502) 253-0317
 E-mail: info@marmon-herrington.com

**PLANETARY DIFFERENTIAL
T30**



HI-LO SHIFTING T30



Marmon-Herrington



WWW.MARMON-HERRINGTON.COM

ITEM NO.	PART NUMBER	DESCRIPTION	QTY.	ITEM NO.	PART NUMBER	DESCRIPTION	QTY.
1	T301168	Slide Block	2	20	T301187A	Shim, 25x18x0.2	AR
2	T301169	Shift Fork	1		T301187B	Shim, 25x18x0.3	AR
3	T301170	Bolt M10x25	2		T301187C	Shim, 25x18x0.5	AR
4	T301032	O-Ring 7x1.5	1		T301187D	Shim, 25x18x1.0	AR
5	T301172	Shift Rod	1	21	T301191	O-Ring 65x3	1
6	T301173	O-Ring 13.3x2.4	2	22	T301192	Piston	1
7	T301174	Piston, Neutral	1	23	T301193	Shift Cylinder	1
8	T301175	O-Ring 74x3	1	24	T301194	O-Ring 26x3	1
9	T301176	Piston, Road	1				
10	T301177	O-Ring 57x3	1				
11	T301178	Nut M18x1.5	1				
12	T301179	O-Ring 5x1.5	2				
13	T301180	Shift Cover	1				
14	T301181	Bolt M10x90	4				
15	T301182	Pressure Switch	1				
16	T301020	Sealing Ring A18x22	1				
17	T301184	Switch Pin	1				
18	T301022	Adjuster Screw	1			AR=As Required	
19	T301021	Nut M26x1.5	1				

MARMON-HERRINGTON ALL-WHEEL DRIVE

13001 Magisterial Drive Louisville, KY 40223
 (502) 253-0277 * (800) 227-0727 * Fax (502) 253-0317
 E-mail: info@marmon-herrington.com

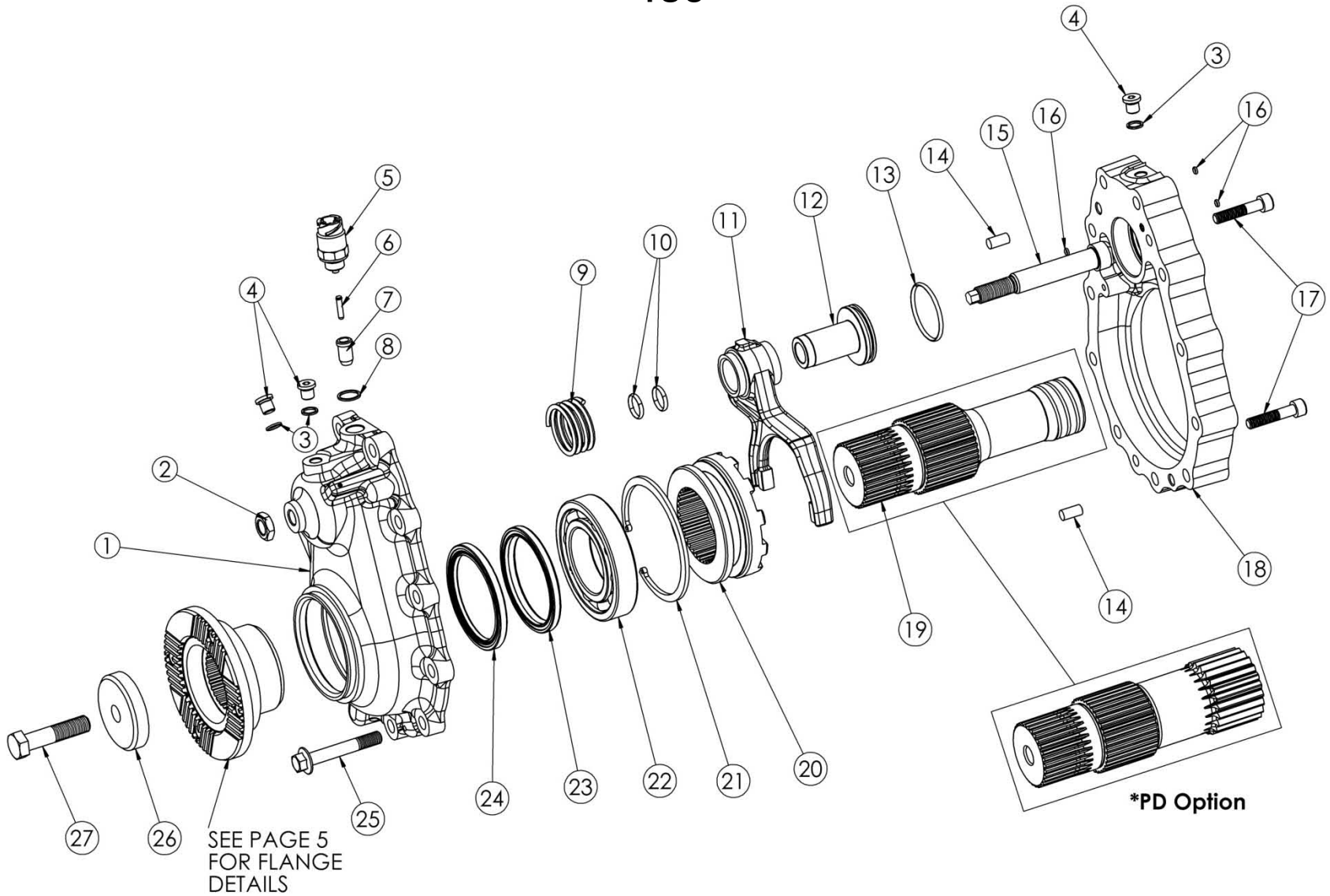
HI-LO SHIFTING
T30



Marmon-Herrington



FRONT DECLUTCH ASSEMBLY T30



WWW.MARMON-HERRINGTON.COM

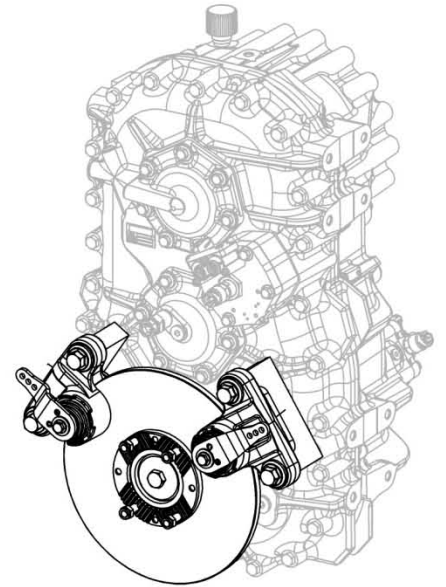
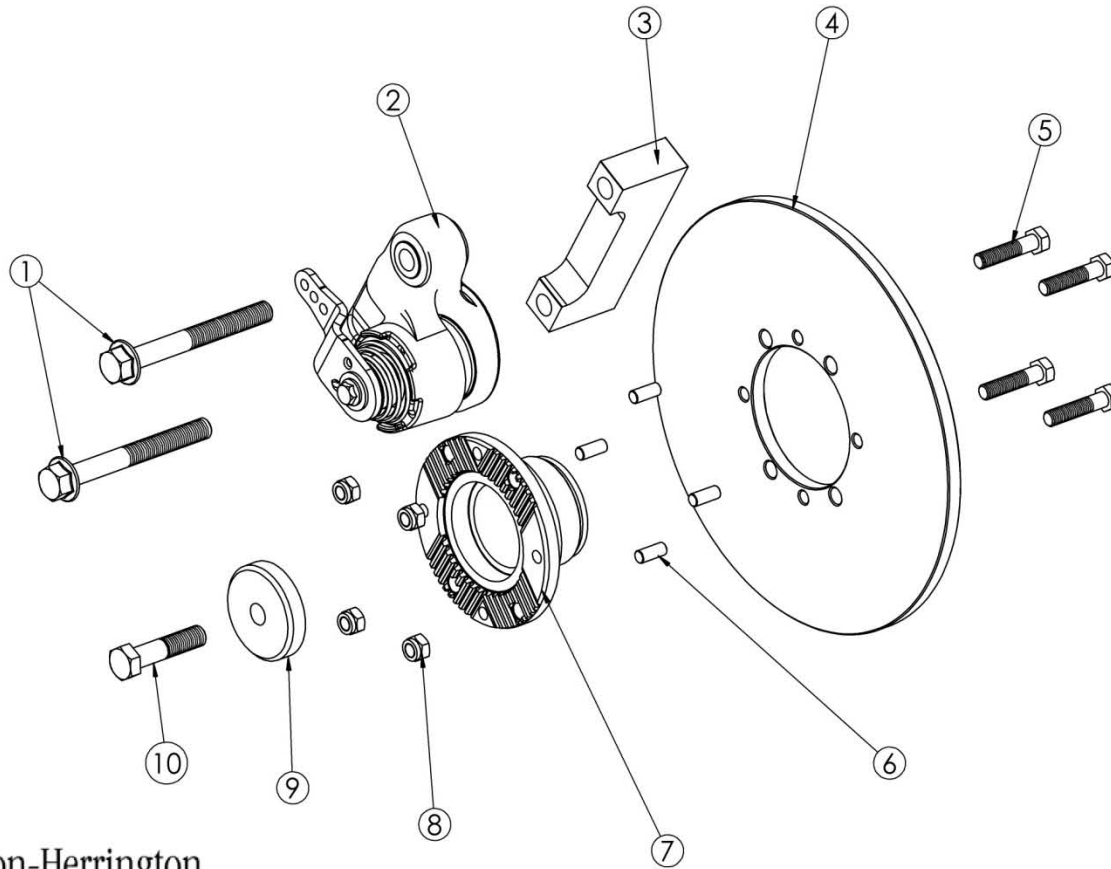
ITEM NO.	PART NUMBER	DESCRIPTION	QTY.	ITEM NO.	PART NUMBER	DESCRIPTION	QTY.	
1	T301195	Front Declutch Housing	1	19	T301213	Front Output Shaft Non-PD	1	
2	T301196	Jam Nut M16x1.5	1	*PD OPTION	T301214	Front Output Shaft PD	1	
3	T301038	Sealing Ring A12x15.5	3	20	T301215	Coupler, Output Shaft	1	
4	T301037	Plug Screw M12x1.5	3	21	T301216	Retaining Ring 120x4	1	
5	T301182	Pressure Switch	1	22	T301217	Bearing 120x65x23	1	
6	T301200	Switch Pin	1	23	T301129	Seal, Inner 105x85x8	1	
7	T301081	Guide Sleeve	1	24	T301130	Seal, Outer 105x85x8	1	
8	T301020	Sealing Ring A18x22	1	25	T301220	Bolt M12x80	11	
9	T301203	Spring, Front Axle	1	26	T301107	Flange Washer	1	
10	T301204	O-Ring 20x3	2	27	T301108	Bolt M16x70	1	
11	T301205	Shift Fork, Front Axle	1					
12	T301206	Piston, Front Axle	1	COMPLETE ASSEMBLIES				
13	T301207	O-Ring 52x3	1	Does NOT Include Items 5,6,7,8,25,26,27				
14	T301050	Dowel Pin M6x20	2		T301223	Front Declutch Assembly Without PD		
15	T301209	Control Rod, Front Axle	1		T301224	Front Declutch Assembly With PD		
16	T301179	O-Ring 5x1.5	3					
17	T301211	Bolt M10x50	2					
18	T301212	Intermediate Plate	1					

MARMON-HERRINGTON ALL-WHEEL DRIVE
 13001 Magisterial Drive Louisville, KY 40223
 (502) 253-0277 * (800) 227-0727 * Fax (502) 253-0317
 E-mail: info@marmon-herrington.com

**FRONT DECLUTCH
 ASSEMBLY
 T30**



PARKING BRAKE T30



ITEM NO.	PART NUMBER	DESCRIPTION	QTY.	ITEM NO.	PART NUMBER	DESCRIPTION	QTY.
1	T301225	Bolt M16x140	4				
2	T301226	Mechanical Caliper B (Shown)	2				
	T301227	Mechanical Caliper A	2				
	T301228	Hydraulic Caliper	2				
3	T301229	Caliper Spacer	2				
4	T301230	Parking Brake Rotor	1				
5	T301231	Bolt M12x55	4				
6	T301232	Dowel Pin M6x24	4				
7	T301233	KV 150 Output Flange	1				
		Parking Brake					
8	T301234	Lock Nut M12x1.75	4				
9	T301107	Flange Washer	1				
10	T301108	Bolt M16x70	1				

MARMON-HERRINGTON ALL-WHEEL DRIVE
 13001 Magisterial Drive Louisville, KY 40223
 (502) 253-0277 * (800) 227-0727 * Fax (502) 253-0317
 E-mail: info@marmon-herrington.com

PARKING BRAKE
T30



Marmon-Herrington



WWW.MARMON-HERRINGTON.COM
13001 Magisterial Drive Louisville, KY 40223
(502) 253-0277 * (800) 227-0727 * Fax (502) 253-0317
E-mail: info@marmon-herrington.com