



**PARTS MANUAL**  
**FOR**  
**MT10/N/H SERIES**

**MARMON-HERRINGTON ALL-WHEEL DRIVE**

13001 Magisterial Drive • Louisville, KY 40223  
(502) 253-0277 • (800) 227-0727 • Fax (502) 253-0317  
E-mail: [info@marmon-herrington.com](mailto:info@marmon-herrington.com)

# TABLE OF CONTENTS

REPLACEMENT PARTS & WARRANTY CLAIM PROCEDURE .....	3
DIFFERENTIAL CARRIER HOUSING MT10/N/H .....	4-5
DIFFERENTIAL MT10/N/H .....	6-7
AXLE HOUSING MT10/N/H .....	8-9
AXLE SHAFT ASSEMBLY MT10/N/H .....	10-11
WHEEL HUB/BRAKE MT10/N/H .....	12-13
TIE-ROD MT10/N/H .....	14-15



**MARMON-HERRINGTON ALL-WHEEL DRIVE**  
13001 Magisterial Drive • Louisville, KY 40223  
(502) 253-0277 • (800) 227-0727 • Fax (502) 253-0317  
E-mail: [info@marmon-herrington.com](mailto:info@marmon-herrington.com)

## REPLACEMENT PARTS

When ordering replacement parts for **MARMON-HERRINGTON LOW FLOOR** conversions, the following information should be given:

1. **FACTORY ORDER NUMBER** (found on I.D. Plate or small plate affixed to axle housing). This will be a six (6) digit number. (See illustrations this page.)
2. Component for which parts are required, i.e. front drive axle or transfer case/drop box.
3. Model of axle and/or transfer case/drop box, i.e. MT10, MVG 750, MDB500.
4. Give quantity and part number required.  
**NOTE:** Drivelines, shift linkage, etc., can be found on the computer printout of Bill of Material, which is included in the Service Manual.
5. Give complete billing and shipping address.

## WARRANTY CLAIM PROCEDURE

Before proceeding with repairs or ordering parts that you feel may be covered under warranty, you must first contact Marmon-Herrington Customer Service Department and obtain a Repair Authorization Number.


Please be prepared to supply all of the following information:

- **Factory Order Number** – This is located on an ID plate fixed to either the driver’s door panel or the component (axle or transfer case) itself.
- **Model and Serial Number** (required) – Again located on the ID plate fixed to either the driver’s door panel or the component itself.
- **Vehicle Year, Make and Model**
- **Vehicle Identification Number**
- **Mileage**
- **In Service Date**

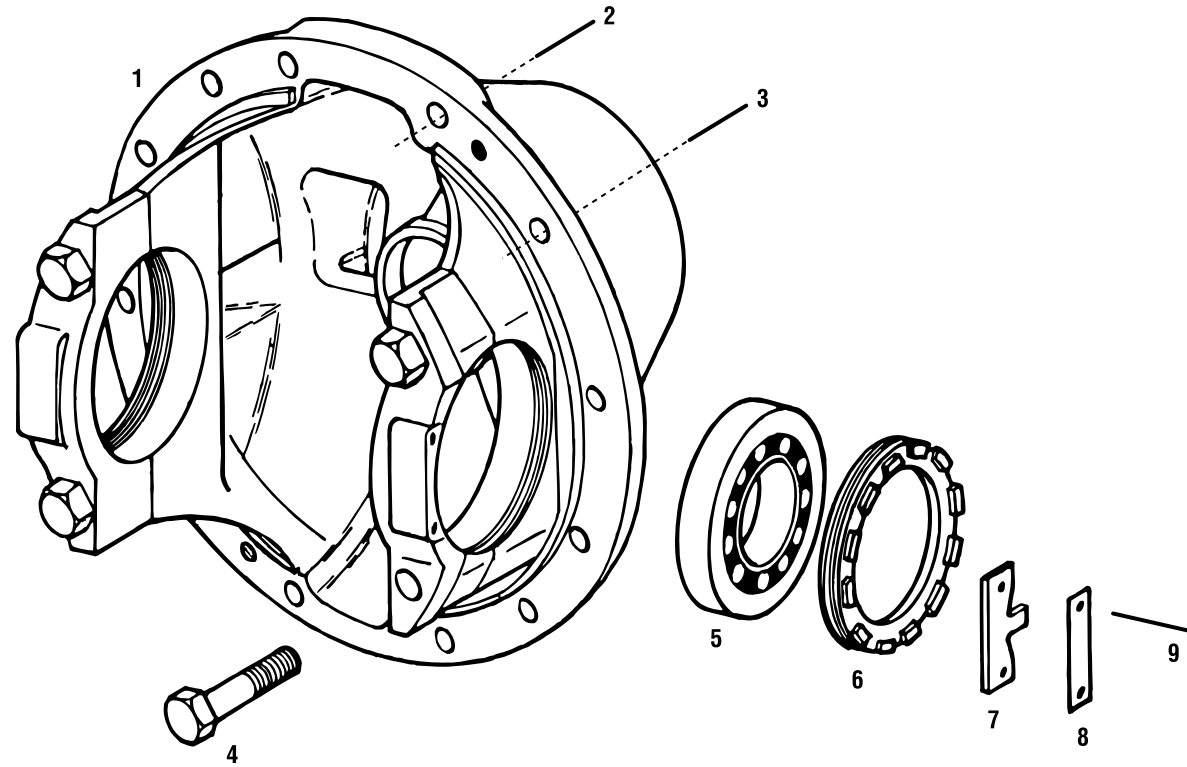
The information necessary for replacement parts and/or warranty claim procedures will be found on either plate design.

<b>MARMON-HERRINGTON</b>			
SALES ORDER	0000-00	RATIO	
S/N		TYPE	
CUST P/N			

<b>MARMON-HERRINGTON</b>			
SALES ORDER	0000-00		
S/N		TYPE	
CUST P/N			
COVERED BY ONE OR MORE OF THE FOLLOWING PATENTS: U.S. PATENTS 4,878,691; 4,934,733; 5,016,912; 5,275,430; 5,839,750; AND 6,398,251; AND CA PATENT 1,316,185. OTHER U.S. AND FOREIGN PATENTS PENDING.			

 <p>MARMON-HERRINGTON ALL-WHEEL DRIVE LOUISVILLE, KENTUCKY U.S.A.</p>	
FACTORY ORDER NO.	0000-00
INSTALLED BY	
FRONT DRIVING AXLE	
MODEL	
CAPACITY	
SERIAL NO.	
RATIO	
TRANSFER CASE	
MODEL	
SERIAL NO.	

# DIFFERENTIAL CARRIER HOUSING MT10/N/H



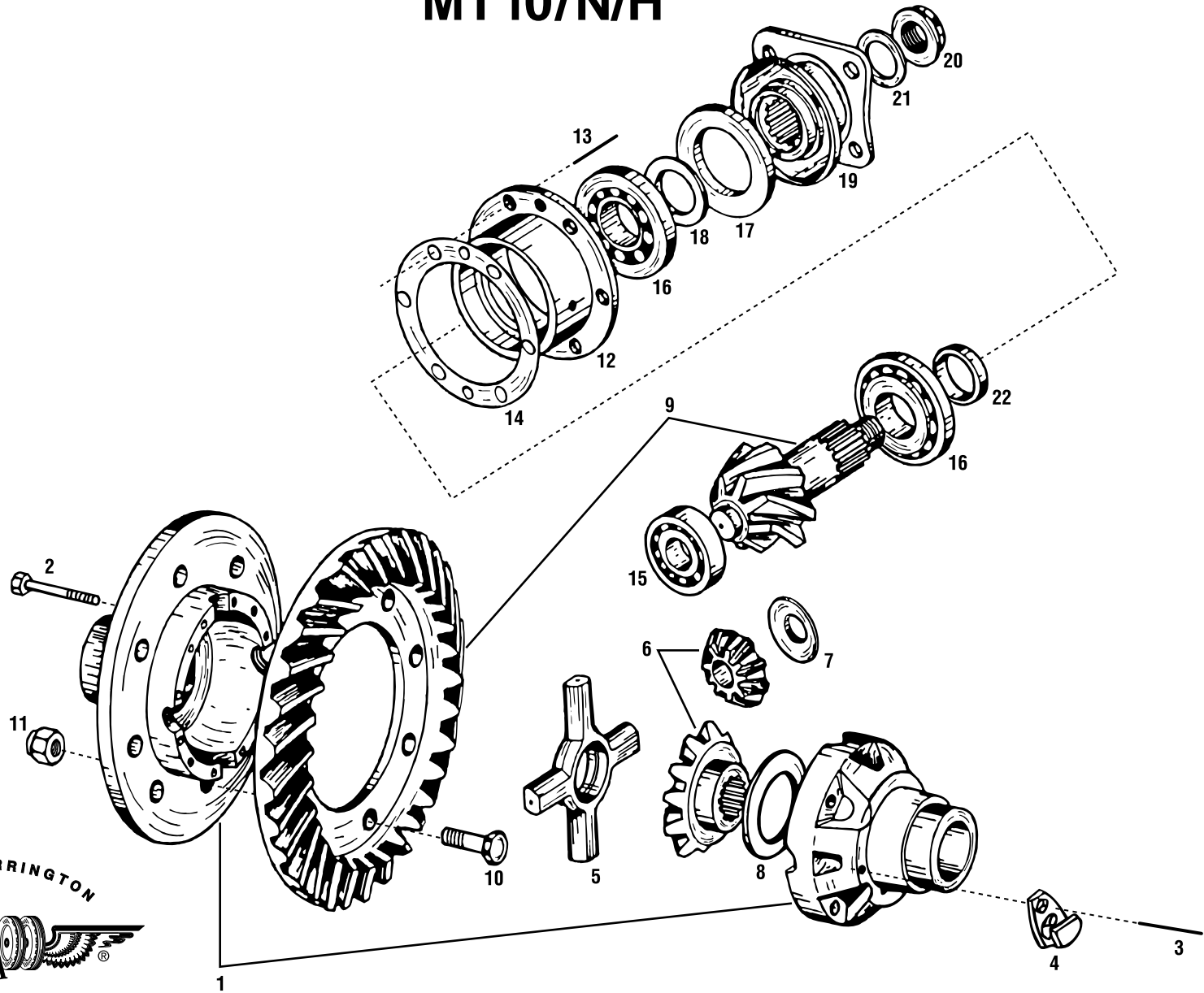
ITEM NO.	MH PART NO.	DESCRIPTION	QTY. REQ.	ITEM NO.	MH PART NO.	DESCRIPTION	QTY. REQ.
1	MT10-1040	Differential Carrier Housing Assy.	1				
2	MT10-1042	Flanged Bolt, Special	4				
3	MT22-1077	Flanged Bolt, Special	8				
4	MT10-1041	Hex Bolt, Special	4				
5	MT10-1043	Taper Roller Bearing	2				
6	MT10-1044	Bearing Adjuster	2				
7	MT22-1080	Adjuster Lock Plate	2				
8	MT22-1081	Lock Plate	2				
9	11500773	Hex Bolt	4				

**MARMON-HERRINGTON ALL-WHEEL DRIVE**  
 13001 Magisterial Drive • Louisville, KY 40223  
 (502) 253-0277 • (800) 227-0727 • Fax (502) 253-0317  
 E-mail: info@marmon-herrington.com

**DIFFERENTIAL CARRIER HOUSING**  
**MT10/N/H**

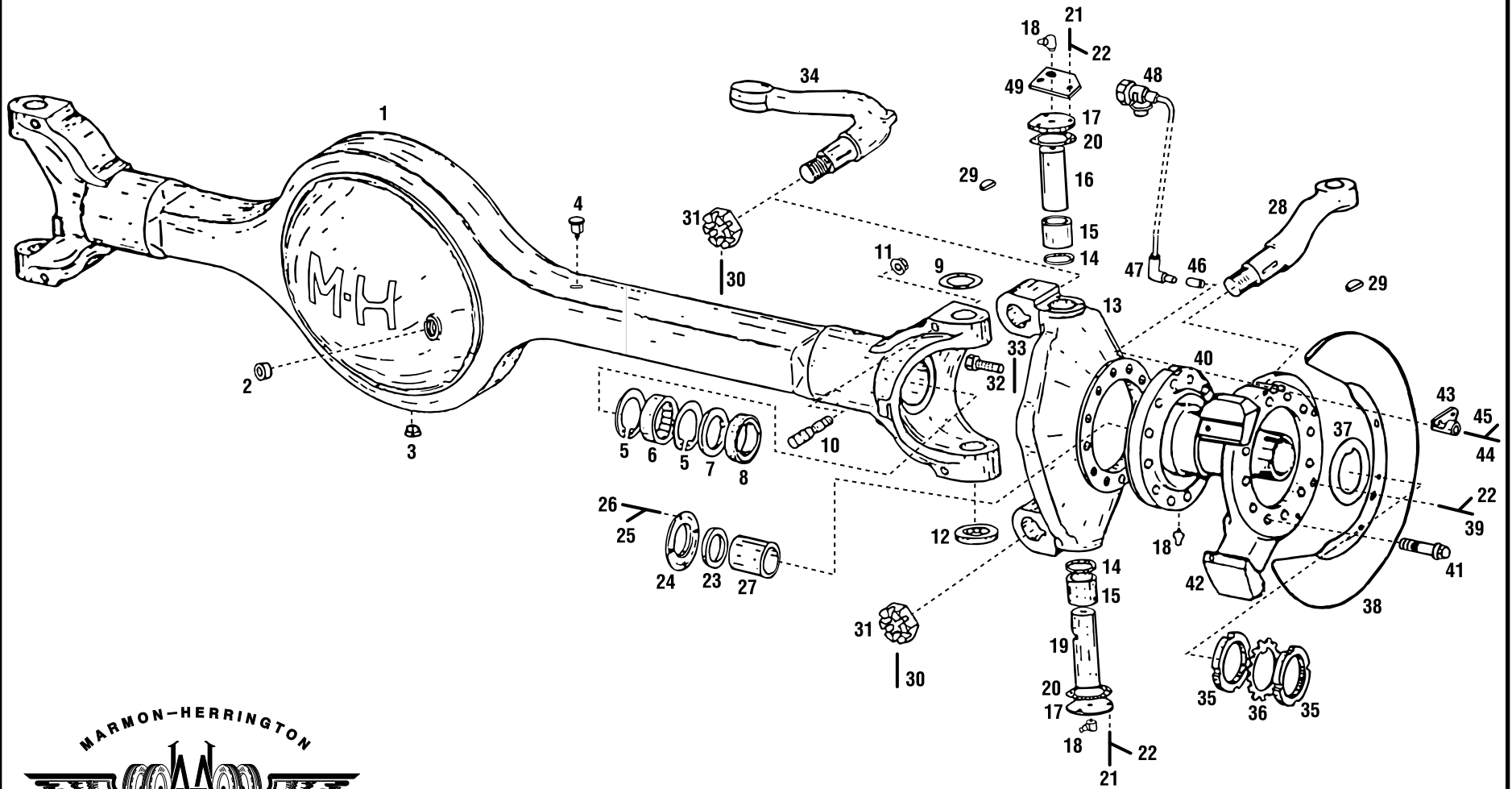


# DIFFERENTIAL MT10/N/H



COMPLETE CARRIER ASSEMBLY				ITEM NO.	MH PART NO.	DESCRIPTION	QTY. REQ.
<b>CARRIER P/N</b>	<b>PINION &amp; RING GEAR RATIO</b>	<b>DIFFERENTIAL CASE</b>		14	MT10-1066A	Shim, 1.00 MM	AR
MT10-1011	4.11	MT10-1049			MT10-1066B	Shim, 0.50 MM	AR
MT10-1012	4.33	MT10-1049			MT10-1066C	Shim, 0.30 MM	AR
MT10-1001	4.62	MT10-1052			MT10-1066D	Shim, 0.20 MM	AR
MT10-1002	4.88	MT10-1052			MT10-1066E	Shim, 0.15 MM	AR
MT10-1003	5.29	MT10-1052		15	MT10-1067	Roller Bearing	1
MT10-1004	5.57	MT10-1052		16	MT10-1068	Pinion Bearing, Inner and Outer	2
MT10-1005	5.86	MT10-1052		17	MT10-1069	Oil Seal, Pinion	1
MT10-1006	6.14	MT10-1052		18	MT10-1070	Disk	1
MT10-1009	6.50	MT10-1052		19	MT10-1071	Companion Flange	1
MT10-1007	6.83	MT10-1052		20	MT10-1072	Self-Lock Nut	1
MT10-1008	7.17	MT10-1052		21	MT10-1073	Washer	1
<b>ITEM NO.</b>	<b>MH PART NO.</b>	<b>DESCRIPTION</b>	<b>QTY. REQ.</b>	22	MT10-1074A	Pinion Bearing Spacer, 13.950 MM	AR*
1	MT10-1049	Differential Case Assy. (4.11-4.33)	1		MT10-1074B	Pinion Bearing Spacer, 13.975 MM	AR*
	MT10-1052	Differential Case Assy. (4.62-7.17)	1		MT10-1074C	Pinion Bearing Spacer, 14.000 MM	AR*
		<b>Both of the above each include Items 1 &amp; 2</b>			MT10-1074D	Pinion Bearing Spacer, 14.025 MM	AR*
2	MT10-1053	Hex Bolt, Special	12		MT10-1074E	Pinion Bearing Spacer, 14.050 MM	AR*
3	11503946	Hex Bolt	4		MT10-1074F	Pinion Bearing Spacer, 14.075 MM	AR*
4	MT11-1027	Oil Scoop	2		MT10-1074G	Pinion Bearing Spacer, 14.100 MM	AR*
5	MT22-1061	Differential Cross	1		MT10-1074H	Pinion Bearing Spacer, 14.125 MM	AR*
6	MT22-1193	Nest Kit	1		MT10-1074I	Pinion Bearing Spacer, 14.150 MM	AR*
7	MT22-1063	Washer, Differential Pinion Gear	4		MT10-1074J	Pinion Bearing Spacer, 14.175 MM	AR*
8	MT22-1059	Washer, Differential Side Gear	2		MT10-1074K	Pinion Bearing Spacer, 14.200 MM	AR*
9	MT10-1047	Ring Gear and Pinion 4.11	1		MT10-1074L	Pinion Bearing Spacer, 14.225 MM	AR*
	MT10-1048	Ring Gear and Pinion 4.33	1		MT10-1074M	Pinion Bearing Spacer, 14.250 MM	AR*
	MT10-1054	Ring Gear and Pinion 4.62	1		MT10-1074N	Pinion Bearing Spacer, 14.275 MM	AR*
	MT10-1055	Ring Gear and Pinion 4.88	1		MT10-1074P	Pinion Bearing Spacer, 14.300 MM	AR*
	MT10-1056	Ring Gear and Pinion 5.29	1		MT10-1074Q	Pinion Bearing Spacer, 14.325 MM	AR*
	MT10-1057	Ring Gear and Pinion 5.57	1		MT10-1074R	Pinion Bearing Spacer, 14.350 MM	AR*
	MT10-1058	Ring Gear and Pinion 5.86	1		MT10-1074S	Pinion Bearing Spacer, 14.375 MM	AR*
	MT10-1059	Ring Gear and Pinion 6.14	1		MT10-1074T	Pinion Bearing Spacer, 14.400 MM	AR*
	MT10-1060	Ring Gear and Pinion 6.83	1		MT10-1074U	Pinion Bearing Spacer, 14.425 MM	AR*
	MT10-1061	Ring Gear and Pinion 7.17	1		MT10-1074V	Pinion Bearing Spacer, 14.450 MM	AR*
10	MT10-1062	Hex Bolt, Special	8		MT10-1074W	Pinion Bearing Spacer, 14.475 MM	AR*
11	MT10-1063	Self-Lock Nut	8		MT10-1074X	Pinion Bearing Spacer, 14.500 MM	AR*
12	MT10-1064	Bearing Cage	1		MT10-1074Y	Pinion Bearing Spacer, 14.525 MM	AR*
13	MT10-1065	Flanged Bolt, Special	6		MT10-1074Z	Pinion Bearing Spacer, 14.550 MM	AR*
						AR = As Required	
						<b>*Note:</b> Choose 2 to produce proper bearing preload.	

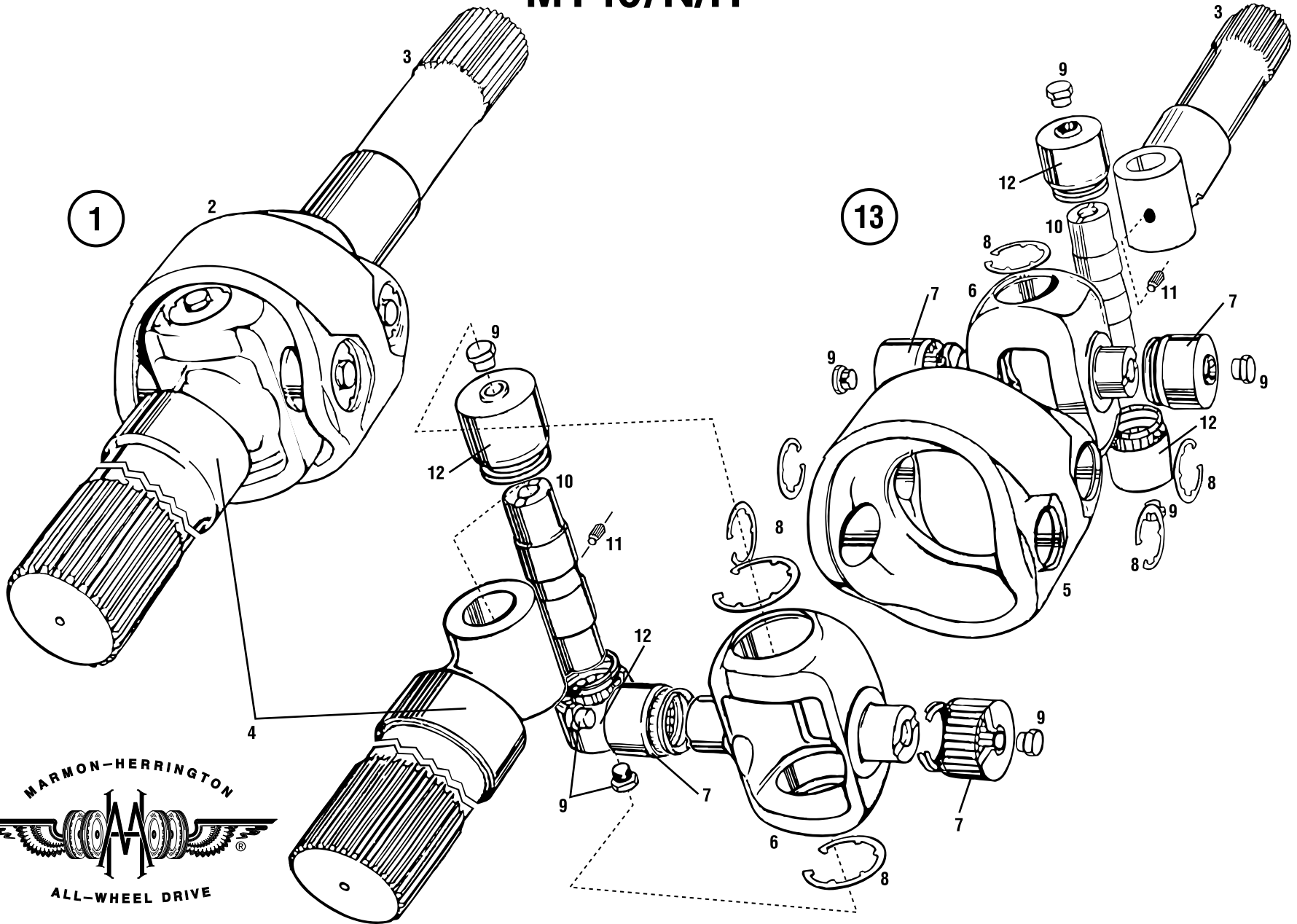
# AXLE HOUSING MT10/N/H





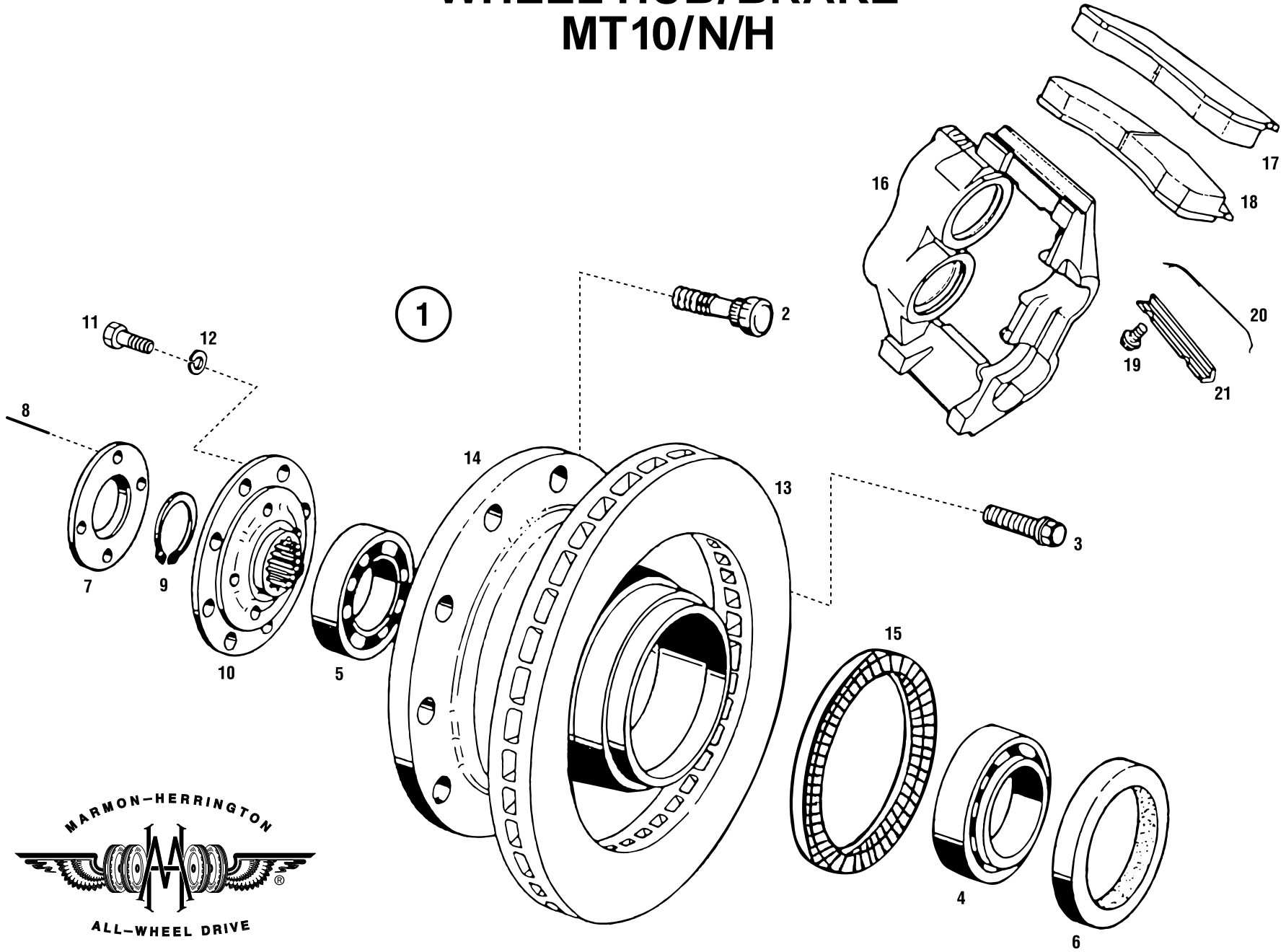
ITEM NO.	MH PART NO.	DESCRIPTION	QTY. REQ.	ITEM NO.	MH PART NO.	DESCRIPTION	QTY. REQ.
1	MT10-1075	Axle Housing	1	28	MT10-1096	Tie-Rod Arm, L.H.	1
2	MT14-1070	Fill Plug	1		MT10-1097	Tie-Rod Arm, R.H.	1
3	MT14-1071	Magnetic Drain Plug	1	29	MT93-2308	Woodruff Key	3
4	MT14-1068	Vent	1	30	103415	Cotter Pin	3
5	MT22-1115	Snap Ring	4	31	MT10-1099	Castle Nut	3
6	MT22-1114	Cylindric Roller Bearing	2	32	MT10-1100	Turn Stop Bolt	2
7	MT22-1116	Oil Seal	2	33	MT10-1101	Jam Nut	2
8	MT10-1079	Oil Seal Support Assy.	2	34	MT10-1102	Steering Arm	1
	MT10-1080	Felt Wiper	2	35	MT22-1132	Spindle Nut	4
9	MT10-1081A	Shim, 0.40 MM	AR	36	MT22-1133	Lock Plate	2
	MT10-1081B	Shim, 0.60 MM	AR	37	MT10-1103	Lock Disk	2
	MT10-1081C	Shim, 1.00 MM	AR	38	MT10-1104	Dust Shield	2
	MT10-1081D	Shim, 1.20 MM	AR	39	11500680	Hex Bolt	6
	MT10-1081E	Shim, 1.40 MM	AR	40	MT10-1108	Spindle, L.H.	1
10	MT10-1132	Lock Pin	4		MT10-1109	Spindle, R.H.	1
11	MT10-1133	Flanged Nut	4	41	MT10-1105	Hex Flange Bolt	24
12	MT10-1082	Taper Roller Thrust Bearing	2	42	MT10-1106	Brake Support, L.H.	1
13	MT10-1150	Steering Knuckle Assy., L.H.	1		MT10-1107	Brake Support, R.H.	1
	MT10-1084	Steering Knuckle Assy., R.H.	1	43	MT93-1109	Sensor Holder	2
14	MT10-1087	Grease Seal	4	44	11500713	Hex Bolt	4
15	MT10-1088	Bushing-Knuckle Pin	4	45	11500191	Lock Washer	4
16	MT10-1089	Kingpin Upper	2	46	MT93-1283	Clamp Sleeve	2
17	MT10-1090	Cap	4	47	CT8-1091	Revolution Sensor	2
18	MT14-1119	Grease Fitting 45°	6	48	CT8-1092	Connecting Holder	1
19	MT10-1091	Kingpin Lower	2	49	CT8-1093	Holder Plate	2
20	MT10-1092	Gasket	4				
21	11500716	Hex Bolt	12				
22	11500191	Lock Washer	18				
23	MT14-1092	Oil Seal	2			AR = As Required	
24	MT10-1094	Dust Plate	2				
25	11500190	Lock Washer	8				
26	11503946	Hex Bolt	8				
27	MT10-1095	Bushing	2				

# AXLE SHAFT ASSEMBLY MT10/N/H



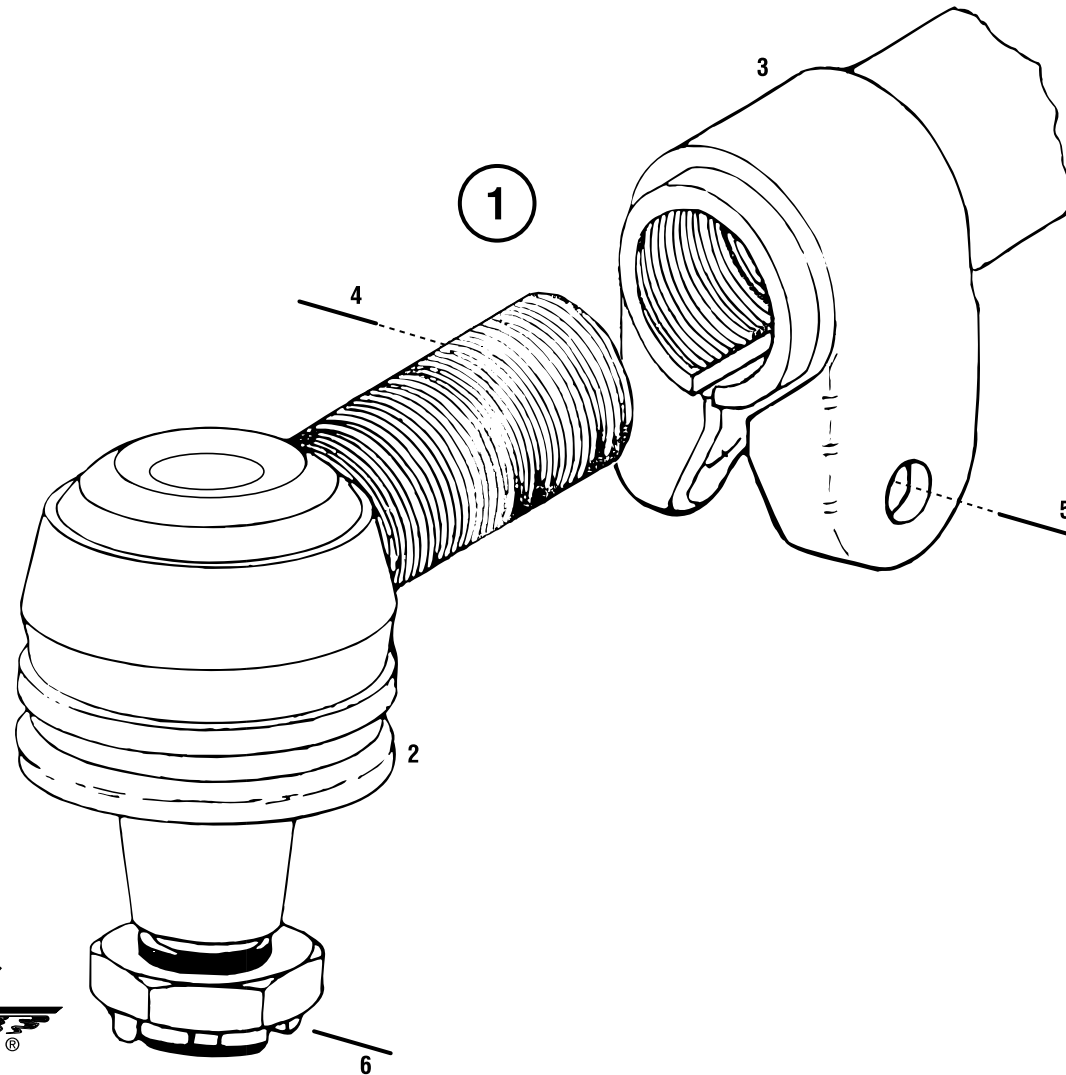
ITEM NO.	MH PART NO.	DESCRIPTION	QTY. REQ.	ITEM NO.	MH PART NO.	DESCRIPTION	QTY. REQ.
1	MT10-1110	Axle Shaft Assembly, L.H.	1				
	MT10-1111	Axle Shaft Assembly, R.H.	1				
2	MT22-1147	Cardan Joint Assembly	2				
3	MT10-1112	Outer Axle Shaft	2				
4	MT10-1113	Inner Axle Shaft, L.H., Long	1				
	MT10-1114	Inner Axle Shaft, R.H., Short	1				
5	MT22-1225	Joint Hub	2				
6	MT22-1226	Spider	NSS				
7	MT22-1227	Bearing Cap Assembly 7/8"	NSS				
8	MT22-1228	Snap Ring	16				
9	MT22-1229	Taper Screw Plug, M12x1.5	16				
10	MT22-1230	Joint Pin	4				
11	MT22-1231	Set Screw	4				
12	MT22-1232	Bearing Cap Assembly 1"	NSS				
13	MT10-1134	Cardan Joint Kit <b>(Includes Items #6-12)</b>	4				
		NSS = Not Sold Separately					

# WHEEL HUB/BRAKE MT10/N/H



ITEM NO.	MH PART NO.	DESCRIPTION	QTY. REQ.	ITEM NO.	MH PART NO.	DESCRIPTION	QTY. REQ.
1	MT10-1138	Hub and Rotor Assy. (MT10H) (10 Stud)	2				
	MT10-1115	Hub and Rotor Assy. (MT10) (10 Stud)	2				
	MT10-1116	Hub and Rotor Assy. (MT10H-8) (8 Stud)	2				
2	MT93-2213	Wheel Stud (MT10H Only)	20				
	MT10-1119	Wheel Nut, M20x1.5 (MT10H)	20				
	MT10-1117	Wheel Bolt, 3/4"-16 (MT10)	20				
	T15371	Wheel Nut, R.H. (MT10/N)	20				
	MT10-1126	Wheel Stud (MT10N Only)	20				
	T15371	Wheel Nut, R.H. (MT10/N)	20				
	MT10-1118	Wheel Stud M22x1.5x64 (MT10H-8)	16				
	MT10-1119	Wheel Nut, M20x1.5 (MT10H)	16				
	MT93-2709	Wheel Stud, (MT10H8X)	16				
3	MT10-1120	Hex Flanged Bolt	16				
4	MT10-1121	Wheel Bearing, Inner	2				
5	MT10-1043	Wheel Bearing, Outer	2				
6	MT10-1123	Oil Seal, Hub	2				
7	MT10-1051	Cover	2				
8	11500713	Hex Bolt	8				
9	MT10-1124	Snap Ring	2				
10	MT10-1050	Drive Flange	2				
11	2T351	Hex Bolt, 1/2"-20x1 <sup>3</sup> / <sub>8</sub> "	16				
12	103323	Washer	16				
13	MT10-1125	Brake Rotor	2				
14	MT10-1135	Wheel Hub (MT10N/H/CT8H)	2				
15	MT93-1418	Impulse Ring (100 Tooth)	2				
	MT93-2801	Impulse Ring (76 Tooth)	2				
16	MT75-8284	Caliper Assy.	2				
17	MT93-1049	Brake Lining, Outer, LH	1				
	MT93-1050	Brake Lining, Outer, RH	1				
18	MT93-1051	Brake Lining, Inner	2				
19	MT75-8288	Bolt	2				
20	MT75-8289	Spring	2				
21	MT75-8290	Key Bracket	2				

# TIE-ROD MT10/N/H



ITEM NO.	MH PART NO.	DESCRIPTION	QTY. REQ.	ITEM NO.	MH PART NO.	DESCRIPTION	QTY. REQ.
1	MT10-1127	Tie-Rod Assembly	1				
2	MT10-1128	Ball Joint Head, Left	1				
	MT10-1129	Ball Joint Head, Right	1				
3	MT10-1131	Tie-Rod Tube, with Clamps	1				
4	11500735	Hex Bolt, M12x65-1.75	2				
5	11500756	Self-locking Nut, M12-1.75	2				
6	103411	Cotter Pin, 3/16x2	2				



13001 Magisterial Drive • Louisville, KY 40223  
(502) 253-0277 • (800) 227-0727 • Fax (502) 253-0317  
E-mail: [info@marmon-herrington.com](mailto:info@marmon-herrington.com)