



**PARTS MANUAL**  
**FOR**  
**CT8 SERIES**

**MARMON-HERRINGTON ALL-WHEEL DRIVE**

13001 Magisterial Drive • Louisville, KY 40223  
(502) 253-0277 • (800) 227-0727 • Fax (502) 253-0317  
E-mail: [info@marmon-herrington.com](mailto:info@marmon-herrington.com)

# TABLE OF CONTENTS

REPLACEMENT PARTS & WARRANTY CLAIM PROCEDURE .....	3
DIFFERENTIAL CARRIER HOUSING CT8 .....	4-5
DIFFERENTIAL CT8 .....	6-7
AXLE HOUSING CT8 .....	8-9
AXLE SHAFT ASSEMBLY CT8 .....	10-11
WHEEL HUB CT8H .....	12-13
TIE-ROD CT8 .....	14-15



**MARMON-HERRINGTON ALL-WHEEL DRIVE**  
13001 Magisterial Drive • Louisville, KY 40223  
(502) 253-0277 • (800) 227-0727 • Fax (502) 253-0317  
E-mail: [info@marmon-herrington.com](mailto:info@marmon-herrington.com)

## REPLACEMENT PARTS

When ordering replacement parts for **MARMON-HERRINGTON ALL-WHEEL DRIVE** conversions, the following information should be given:

1. **FACTORY ORDER NUMBER** (found on I.D. Plate on driver's door panel or small plate affixed to axle housing). This will be a six (6) digit number. (See illustrations this page.)
2. Component for which parts are required, i.e. front drive axle or transfer case.
3. Model of axle and/or transfer, i.e. MR-90, MR-226.
4. Give quantity and part number required.  
**NOTE:** Drive lines, shift linkage, etc., can be found on the computer print out of Bill of Material, which is included in the Service Manual.
5. Give complete billing and shipping address.

The information necessary for replacement parts and/or warranty claim procedures will be found on either plate design.


<b>MARMON-HERRINGTON</b>			
SALES ORDER	0000-00	TYPE	<input style="width: 50px;" type="text"/>
S/N	<input style="width: 100px;" type="text"/>	RATIO	<input style="width: 50px;" type="text"/>

## WARRANTY CLAIM PROCEDURE

When ordering parts which you feel might be covered under warranty, advise the following information:

1. **FACTORY ORDER NUMBER** (found on I.D. Plate on driver's door panel or small plate affixed to axle housing). This will be a six (6) digit number. (See illustrations this page.)
2. Date unit was put into operation.
3. Mileage of unit at time of failure.
4. Nature of failure.

Upon receipt of the above, you will be advised as to how to proceed with the claim.



**MARMON-HERRINGTON**

**ALL-WHEEL DRIVE**

LOUISVILLE, KENTUCKY U.S.A.

FACTORY ORDER NO.

INSTALLED BY

**FRONT DRIVING AXLE**

MODEL

CAPACITY

SERIAL NO.

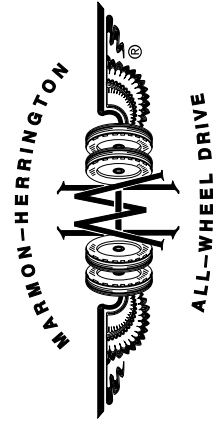
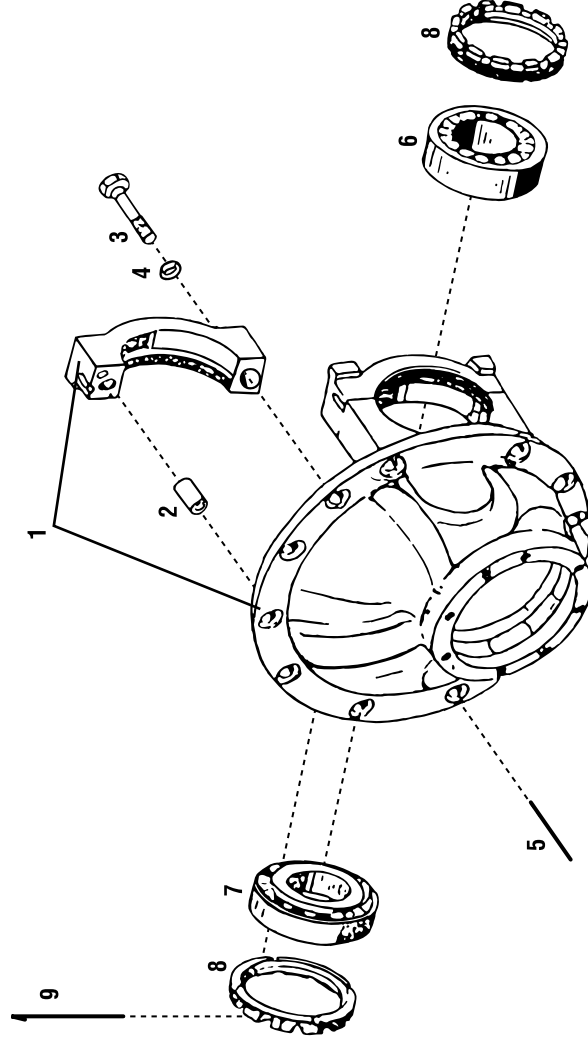
RATIO

**TRANSFER CASE**

MODEL

SERIAL NO.

# DIFFERENTIAL CARRIER HOUSING CT8



ITEM NO.	MH PART NO.	DESCRIPTION	QTY. REQ.	ITEM NO.	MH PART NO.	DESCRIPTION	QTY. REQ.
1	CT8-1040	Differential Carrier Housing Assembly	1				
2	CT8-1042	Dowel Sleeve	4				
3	CT8-1041	Hex Bolt	4				
4	CT8-1054	Washer	4				
5	MT22-1077	Flanged Bolt with Sealant	8				
6	CT8-1043	Taper Roller Bearing	1				
7	CT8-1045	Taper Roller Bearing	1				
8	CT8-1044	Bearing Adjuster	2				
9	CT8-1046	Cotter Pin	2				

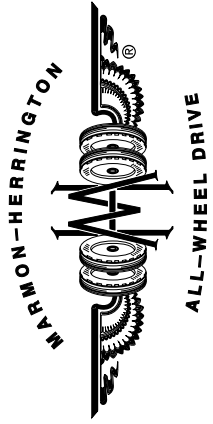
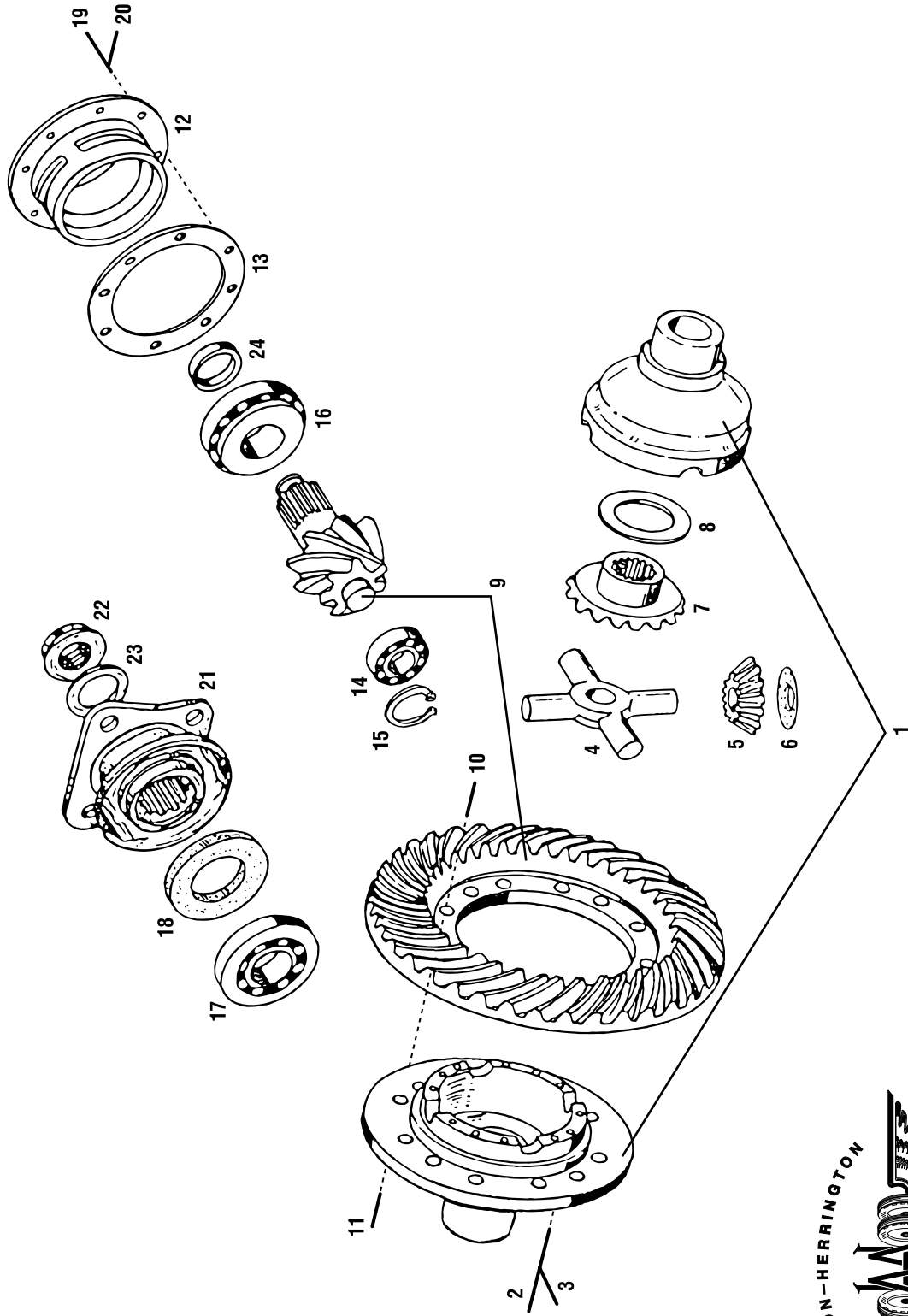
**MARMON-HERRINGTON ALL-WHEEL DRIVE**  
 13001 Magisterial Drive • Louisville, KY 40223  
 (502) 253-0277 • (800) 227-0727 • Fax (502) 253-0317  
 E-mail: info@marmon-herrington.com

**DIFFERENTIAL CARRIER HOUSING**  
**CT8**



PM08/02

# DIFFERENTIAL CT8



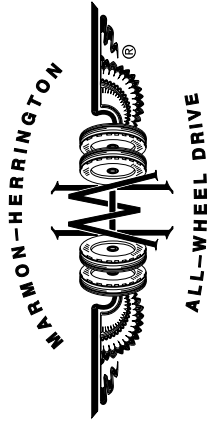
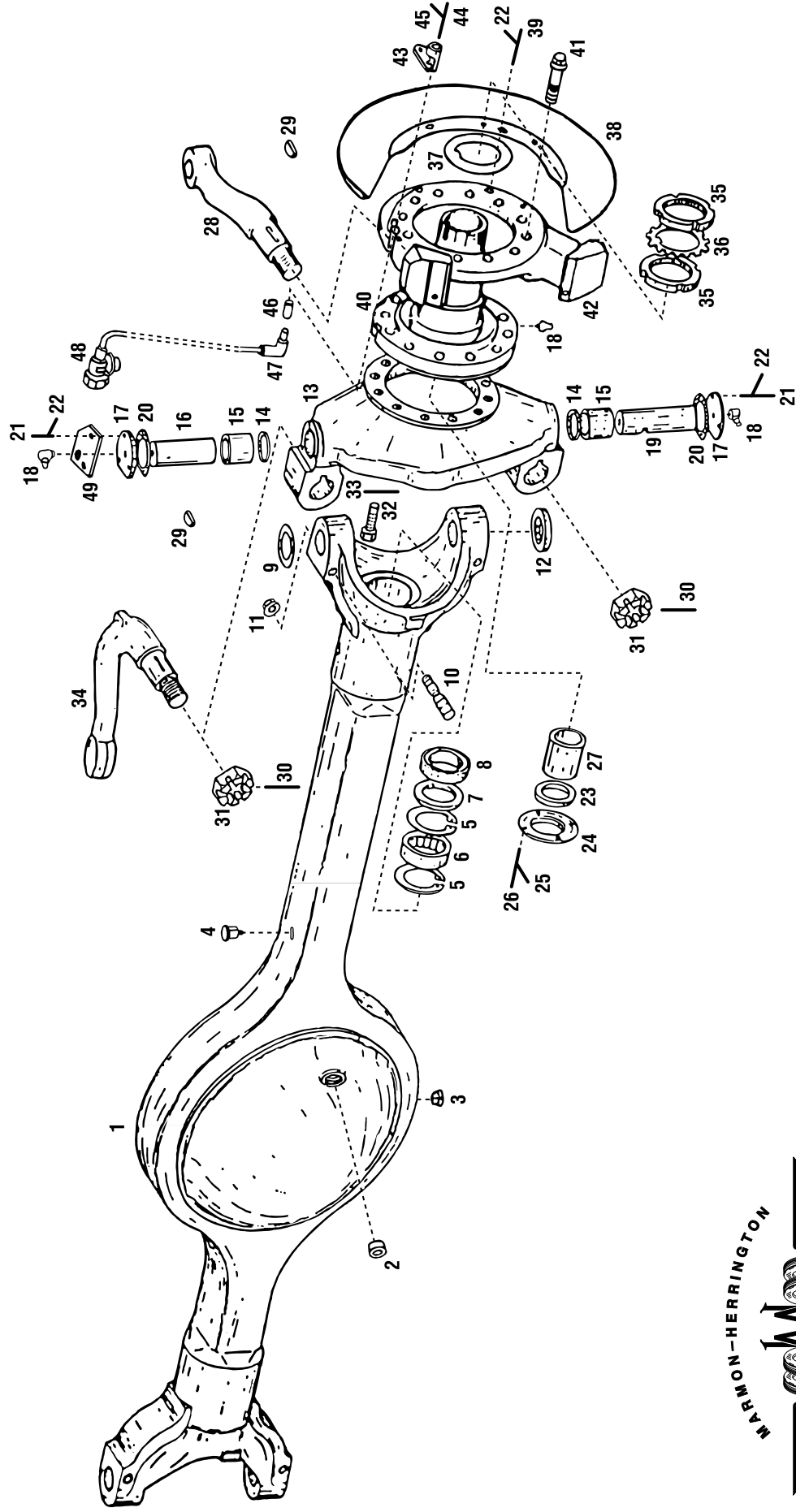
COMPLETE CARRIER ASSEMBLY					ITEM NO.	MH PART NO.	DESCRIPTION	QTY. REQ.
CARRIER P/N	PINION & RING GEAR RATIO	DIFFERENTIAL CASE						
CT8-1001	3.73	CT8-1060			19	CT8-1079	Hex Bolt	8
CT8-1002	4.10	CT8-1060			20	CT8-1080	Washer	8
CT8-1003	4.56	CT8-1060			21	CT8-1081	Companion Flange	1
CT8-1004	5.13	CT8-1060			22	CT8-1082	Flat Lock Washer	1
					23	CT8-1083	Self-Lock Nut	1
					24	CT8-1084	Washer	1
ITEM NO.	MH PART NO.	DESCRIPTION	QTY. REQ.					
1	CT8-1060	Differential Case Halves Assy.	1		CT8-1085A	Pinion Bearing Spacer, 8.755 MM	AR	
2	CT8-1061	Hex Bolt	8		CT8-1085B	Pinion Bearing Spacer, 8.805 MM	AR	
3	CT8-1062	Washer	8		CT8-1085C	Pinion Bearing Spacer, 8.830 MM	AR	
4	CT8-1063	Differential Spider	1		CT8-1085D	Pinion Bearing Spacer, 8.855 MM	AR	
5	CT8-1064	Differential Pinion Gear	4		CT8-1085E	Pinion Bearing Spacer, 8.905 MM	AR	
6	CT8-1065	Differential Pinion Washer	4		CT8-1085F	Pinion Bearing Spacer, 8.930 MM	AR	
7	CT8-1066	Differential Side Gear	2		CT8-1085G	Pinion Bearing Spacer, 8.980 MM	AR	
8	CT8-1067	Differential Gear Washer	2		CT8-1085H	Pinion Bearing Spacer, 9.005 MM	AR	
9	CT8-1055	Pinion and Ring Gear 3.73	1		CT8-1085I	Pinion Bearing Spacer, 9.030 MM	AR	
	CT8-1056	Pinion and Ring Gear 4.10	1		CT8-1085J	Pinion Bearing Spacer, 9.055 MM	AR	
	CT8-1057	Pinion and Ring Gear 4.56	1		CT8-1085K	Pinion Bearing Spacer, 9.080 MM	AR	
	CT8-1058	Pinion and Ring Gear 5.13	1		CT8-1085L	Pinion Bearing Spacer, 9.105 MM	AR	
10	CT8-1068	Hex Bolt	12		CT8-1085M	Pinion Bearing Spacer, 9.130 MM	AR	
11	CT8-1069	Self-Lock Nut	12		CT8-1085N	Pinion Bearing Spacer, 9.180 MM	AR	
12	CT8-1070	Bearing Cage Assy.	1		CT8-1085O	Pinion Bearing Spacer, 9.205 MM	AR	
13	CT8-1071A	Shim, .10 MM	AR		CT8-1085P	Pinion Bearing Spacer, 9.255 MM	AR	
	CT8-1071B	Shim, .12 MM	AR		CT8-1085Q	Pinion Bearing Spacer, 9.280 MM	AR	
	CT8-1071C	Shim, .25 MM	AR		CT8-1085R	Pinion Bearing Spacer, 9.305 MM	AR	
14	CT8-1072	Cylindric Roller Bearing	1		CT8-1085S	Pinion Bearing Spacer, 9.330 MM	AR	
15	CT8-1073	Spring Ring	1		CT8-1085T	Pinion Bearing Spacer, 9.355 MM	AR	
16	CT8-1074	Bearing Cup	1		CT8-1085U	Pinion Bearing Spacer, 9.380 MM	AR	
	CT8-1075	Bearing Cone	1		CT8-1085V	Pinion Bearing Spacer, 9.405 MM	AR	
17	CT8-1076	Bearing Cone	1		CT8-1085W	Pinion Bearing Spacer, 9.455 MM	AR	
	CT8-1077	Bearing Cup	1		CT8-1085X	Pinion Bearing Spacer, 9.480 MM	AR	
18	CT8-1078	Oil Seal	1		CT8-1085Y	Pinion Bearing Spacer, 9.505 MM	AR	
					CT8-1085Z	Pinion Bearing Spacer, 9.530 MM	AR	
							AR = As Required	

**MARMON-HERRINGTON ALL-WHEEL DRIVE**  
 13001 Magisterial Drive • Louisville, KY 40223  
 (502) 253-0277 • (800) 227-0727 • Fax (502) 253-0317  
 E-mail: info@marmon-herrington.com

# DIFFERENTIAL CT8



# AXLE HOUSING CT8





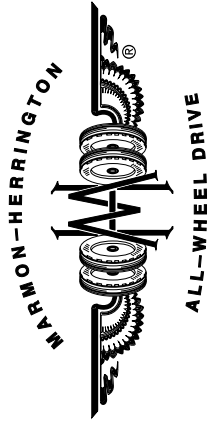
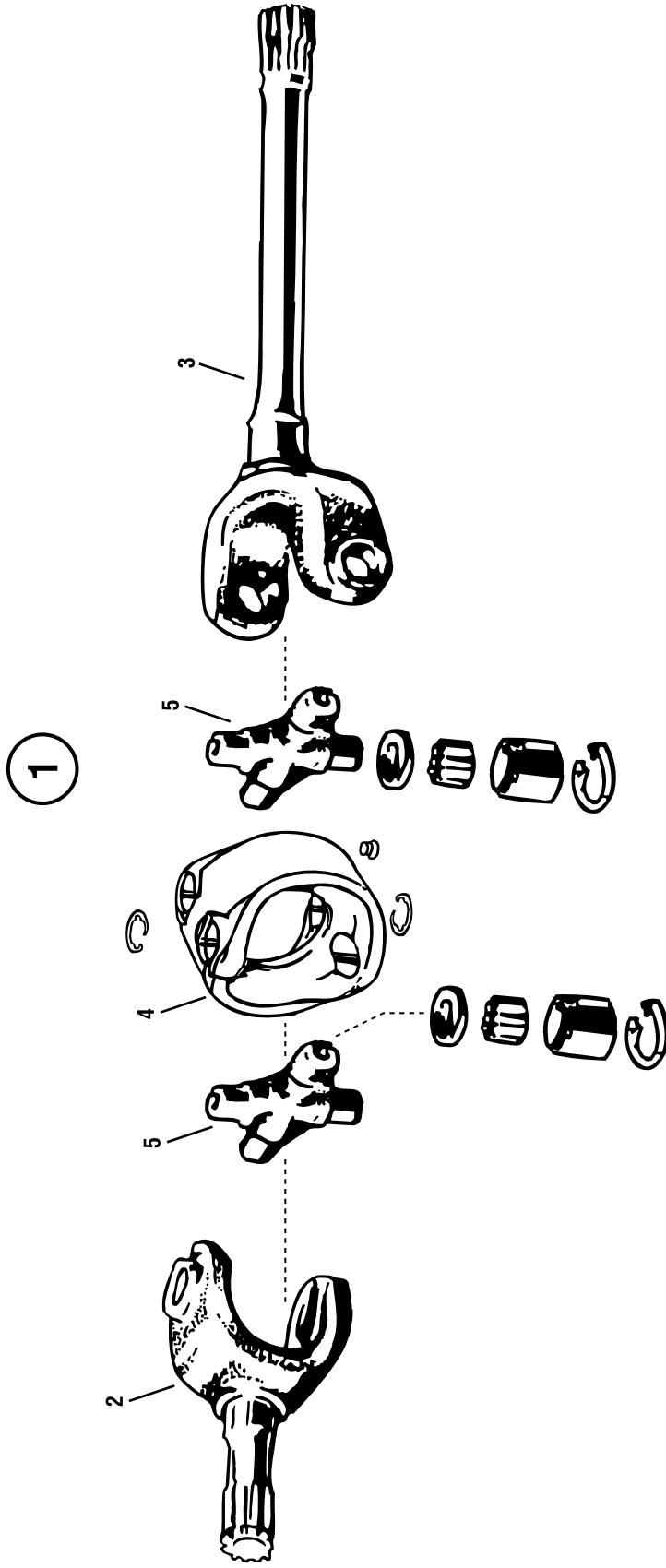
ITEM NO.	MH PART NO.	DESCRIPTION	QTY. REQ.	ITEM NO.	MH PART NO.	DESCRIPTION	QTY. REQ.
1	CT8-1086	Axle Housing	1	28	CT8-1088	Tie-Rod Arm, L.H.	1
2	MT14-1070	Taper Screw Plug	1		CT8-1089	Tie-Rod Arm, R.H.	1
3	MT14-1079	Magnetic Taper Screw Plug	1	29	MT93-2308	Spacer Sleeve	3
4	MT14-1068	Vent Valve	1	30	103415	Cotter Pin	3
5	MT22-1115	Lock Ring	4	31	MT10-1099	Castle Nut	3
6	MT22-1114	Cylindric Roller Bearing	2	32	MT10-1100	Screw Stop	2
7	MT22-1116	Oil Seal	2	33	MT10-1101	Low Nut	2
8	MT10-1079	Oil Seal Support Assy.	2	34	CT8-1090	Steering Arm	1
	MT10-1080	Oil Seal	2	35	MT22-1132	Spindle Nut	4
9	MT10-1081A	Shim, 0.40 MM	AR	36	MT22-1133	Lock Plate	2
	MT10-1081B	Shim, 0.60 MM	AR	37	MT10-1103	Lock Disk	2
	MT10-1081C	Shim, 1.00 MM	AR	38	MT10-1104	Dust Shield	2
	MT10-1081D	Shim, 1.20 MM	AR	39	11500680	Hex Bolt	6
	MT10-1081E	Shim, 1.40 MM	AR	40	MT10-1108	Spindle, L.H.	1
10	MT10-1132	Draw Key	4		MT10-1109	Spindle, R.H.	1
11	MT10-1133	Self-Lock Nut	4	41	MT10-1105	Hex Flange Bolt	24
12	MT10-1082	Taper Roller Thrust Bearing	3	42	CT8-1106	Brake Support, L.H.	1
13	MT10-1083	Steering Knuckle, L.H. Assy.	1		CT8-1107	Brake Support, R.H.	1
	MT10-1084	Steering Knuckle, R.H. Assy.	1	43	MT93-1109	Sensor Holder	2
14	MT10-1087	Oil Seal	4	44	11500713	Hex Bolt	4
15	MT10-1088	Kingpin Bushing	4	45	11500191	Lock Washer	4
16	MT10-1089	Kingpin Upper	2	46	MT93-1283	Clamp Sleeve	2
17	MT10-1090	Cap	4	47	CT8-1091	Revolution Sensor	2
18	MT14-1119	Grease Fitting 45°	6	48	CT8-1092	Connecting Holder	1
19	MT10-1091	Kingpin Lower	2		CT8-1093	Holder Plate	2
20	MT10-1092	Gasket	4				
21	11500716	Hex Bolt	12				
22	11500191	Lock Washer	18				
23	MT10-1093	Oil Seal	2				
24	MT10-1094	Dust Plate	2				
25	11500190	Lock Washer	8				
26	11503946	Hex Bolt	8				
27	MT10-1095	Bushing	2				
						AR = As Required	

**MARMON-HERRINGTON ALL-WHEEL DRIVE**  
 13001 Magisterial Drive • Louisville, KY 40223  
 (502) 253-0277 • (800) 227-0727 • Fax (502) 253-0317  
 E-mail: info@marmon-herrington.com

## AXLE HOUSING CT8



# AXLE SHAFT ASSEMBLY CT8



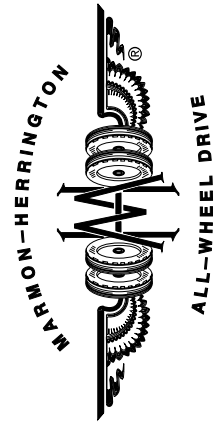
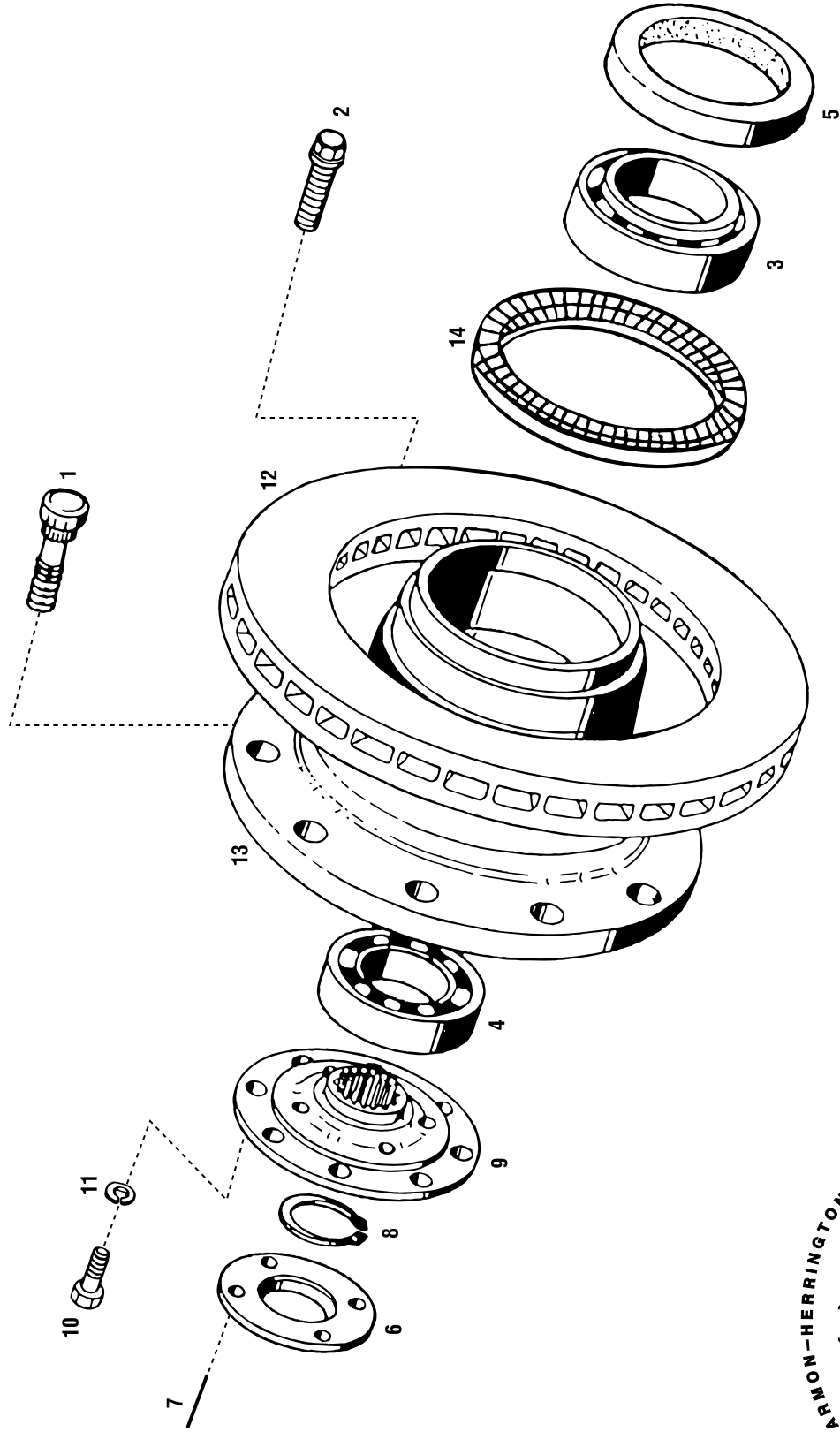
ITEM NO.	MH PART NO.	DESCRIPTION	QTY. REQ.	ITEM NO.	MH PART NO.	DESCRIPTION	QTY. REQ.
1	CT8-1096	Axle Shaft Assembly, L.H.	1				
	CT8-1097	Axle Shaft Assembly, R.H.	1				
2	CT8-1101	Outer Axle Shaft	2				
3	CT8-1099	Inner Axle Shaft, L.H., Long	1				
4	CT8-1098	Inner Axle Shaft, R.H., Short	1				
	CT8-1102	Housing	1				
5	CT8-1103	U-Joint Set	4				
		NSS = Not Sold Separately					



**MARMON**  
**AXLE SHAFT ASSEMBLY**  
**CT8**

MARMON-HERRINGTON ALL-WHEEL DRIVE  
 13001 Magisterial Drive • Louisville, KY 40223  
 (502) 253-0277 • (800) 227-0727 • Fax (502) 253-0317  
 E-mail: info@marmon-herrington.com

# WHEEL HUB CT8H



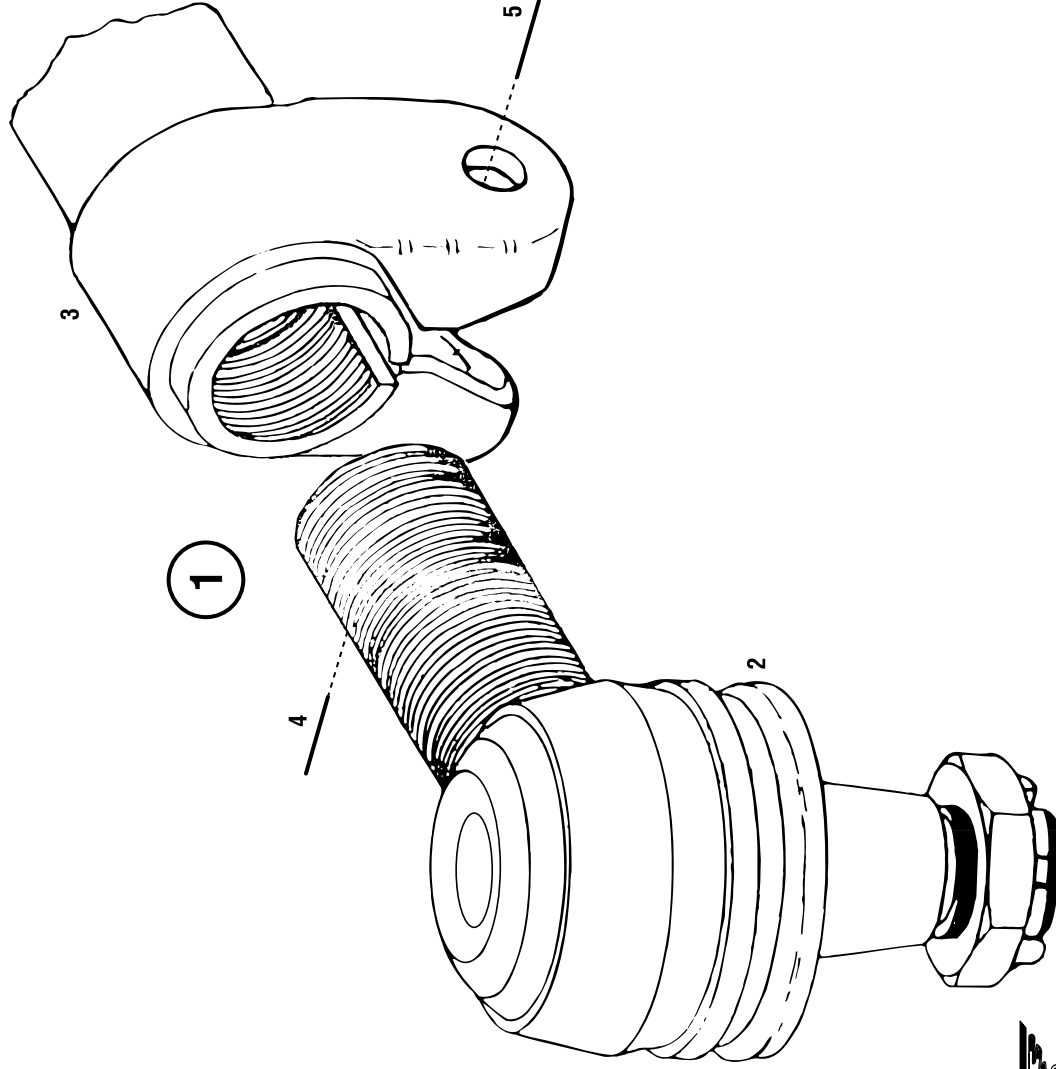
ITEM NO.	MH PART NO.	DESCRIPTION	QTY. REQ.	ITEM NO.	MH PART NO.	DESCRIPTION	QTY. REQ.
1	MT93-1985	Wheel Bolt, M22x1.5	20				
2	MT10-1120	Hex Flanged Bolt	16				
3	MT10-1121	Wheel Bearing, Inner	2				
4	MT10-1043	Wheel Bearing, Outer	2				
5	MT10-1123	Oil Seal	2				
6	MT10-1051	Cover	2				
7	11500713	Hex Bolt	8				
8	MT10-1124	Snap Ring	2				
9	MT10-1050	Drive Flange	2				
10	455014	Hex Bolt	16				
11	103323	Washer	16				
12	CT8-1125	Brake Disc Rotor Only (CT8/H Only)	2				
13	CT8-1135	Wheel Hub (CT8H Only)	2				
14	MT93-1418	Impulse Ring	2				



**WHEEL HUB  
CT8H**

**MARMON-HERRINGTON ALL-WHEEL DRIVE**  
 13001 Magisterial Drive • Louisville, KY 40223  
 (502) 253-0277 • (800) 227-0727 • Fax (502) 253-0317  
 E-mail: info@marmon-herrington.com

# TIE-ROD CT8



ITEM NO.	MH PART NO.	DESCRIPTION	QTY. REQ.	ITEM NO.	MH PART NO.	DESCRIPTION	QTY. REQ.
1	CT8-1127	Tie-Rod Assembly	1				
2	CT8-1128	Ball Joint Head, Left	1				
	CT8-1129	Ball Joint Head, Right	1				
3	CT8-1131	Tie-Rod, with Clamps	1				
4	11500735	Hex Bolt, M12x1.75x65-10.9	2				
5	11500756	Self-locking Nut, M12x1.75	2				



# TIE-ROD CT8

**MARMON-HERRINGTON ALL-WHEEL DRIVE**  
 13001 Magisterial Drive • Louisville, KY 40223  
 (502) 253-0277 • (800) 227-0727 • Fax (502) 253-0317  
 E-mail: info@marmon-herrington.com



13001 Magisterial Drive • Louisville, KY 40223  
(502) 253-0277 • (800) 227-0727 • Fax (502) 253-0317  
E-mail: [info@marmon-herrington.com](mailto:info@marmon-herrington.com)