

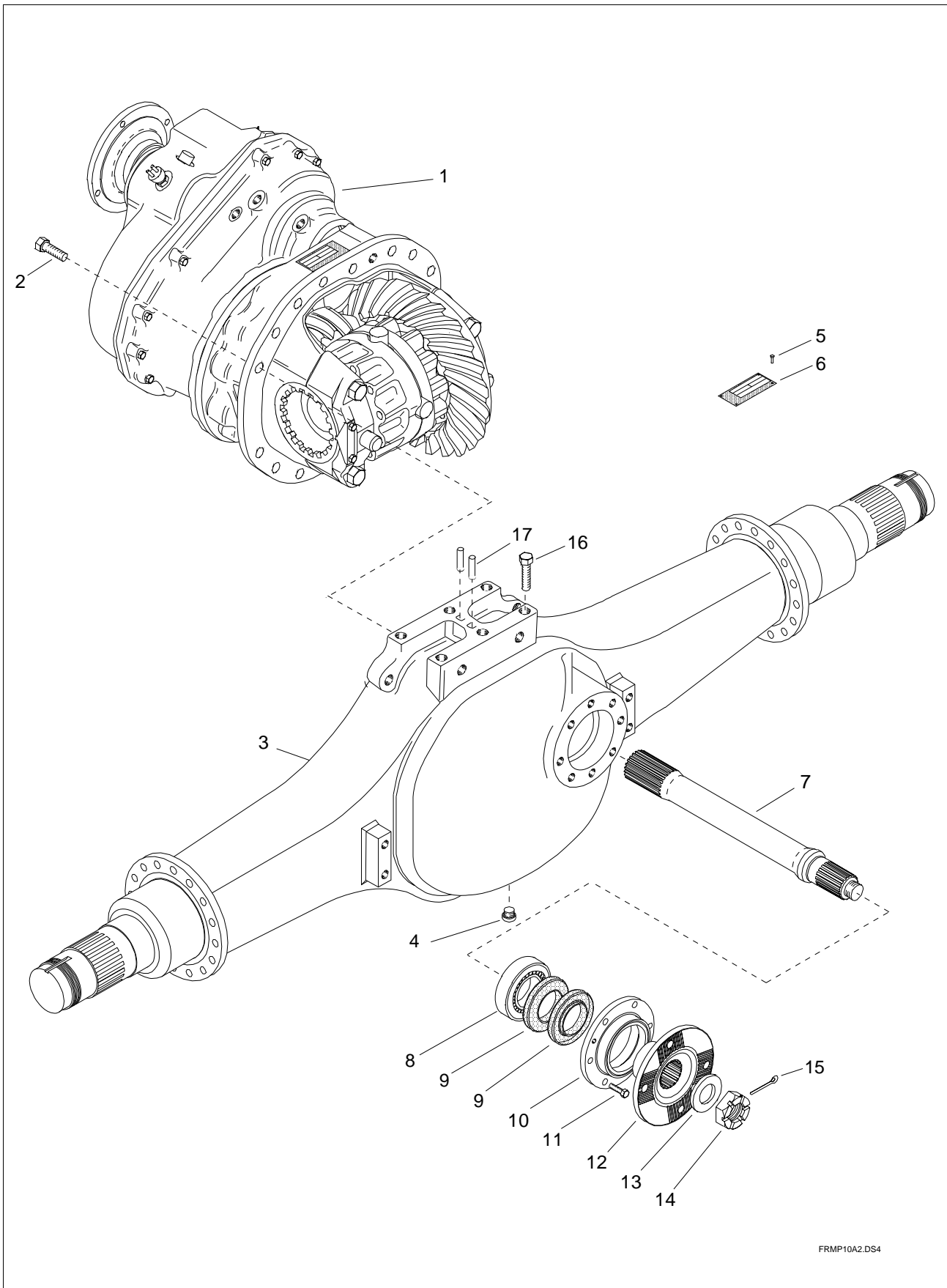
SISU AXLES

SPARE PARTS BOOK

**Foremost Tandem Axle
FRMP
FRMP-11-S**

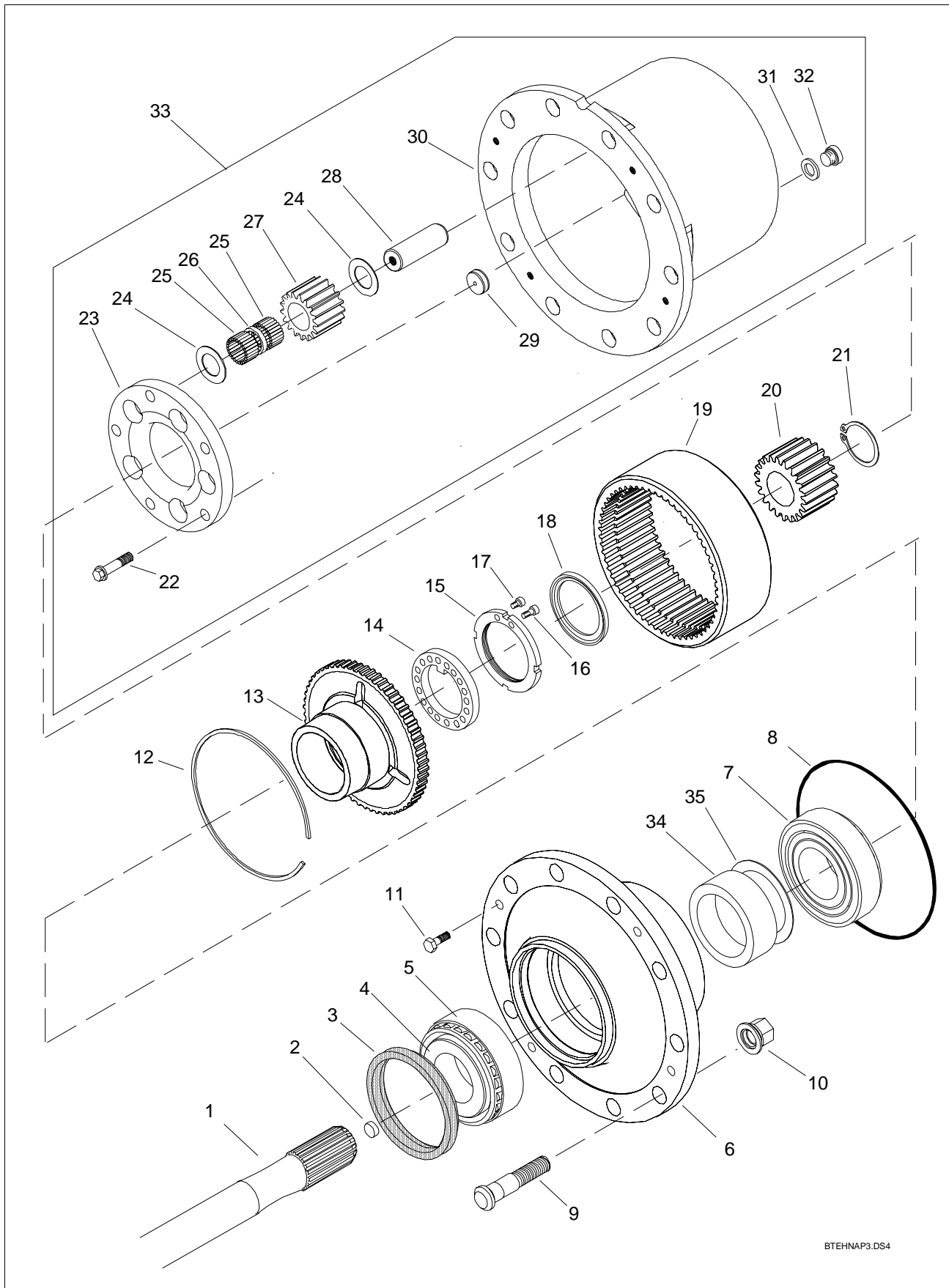
Book No. 203 (3/2007)

Sisu Axles, Inc.
Autotehtaan tie 1
PO Box 189
FIN-13101 Hämeenlinna
Finland
Phone +358 204 55 2999
Fax +358 204 55 2900



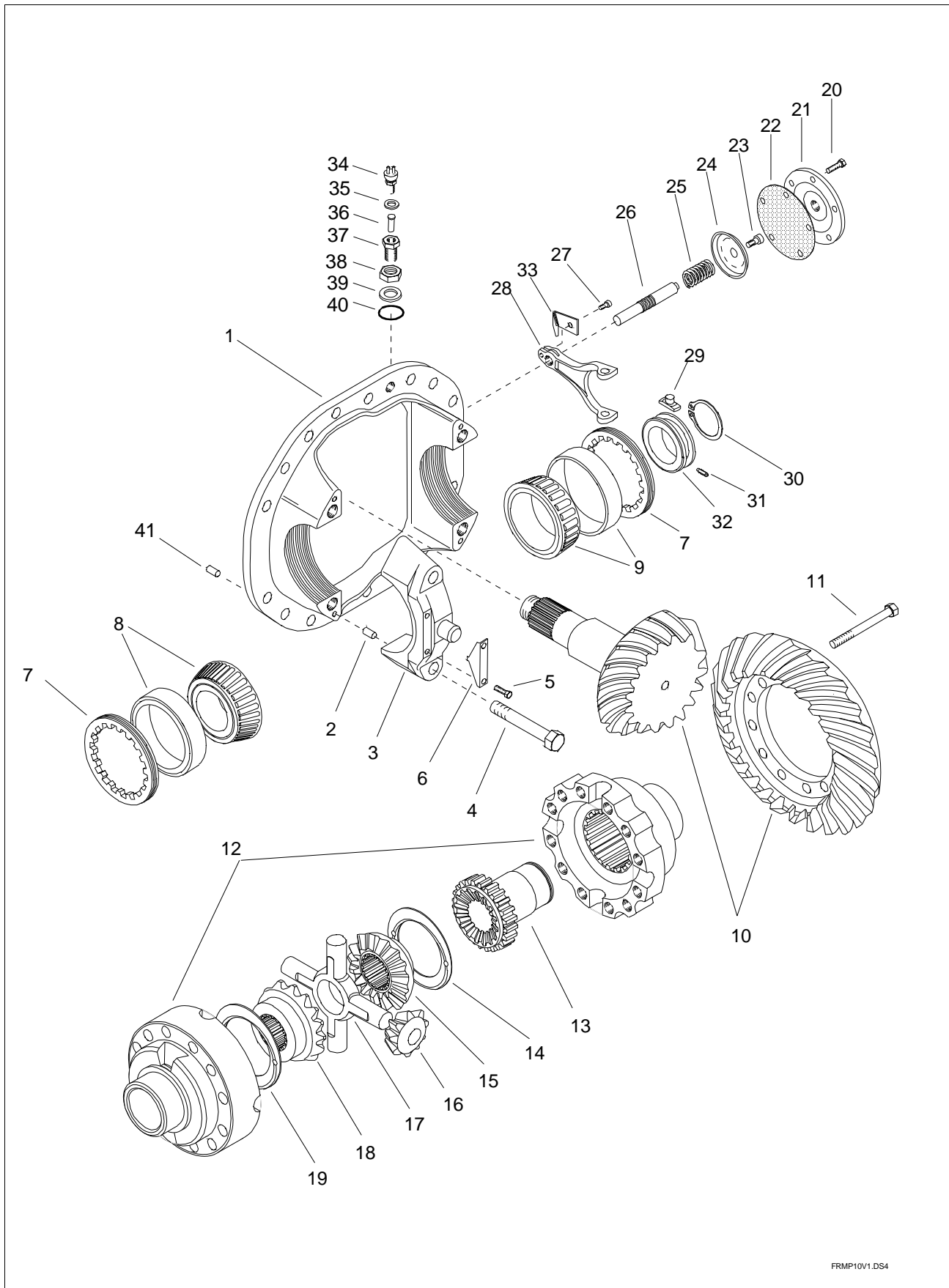
FRMP10A2.DS4

Item	Qty.	Order no.	Description	Note
1	1	544-206-3113	Diff. Carrier Assembly	FR 4.63, flanges HS1700/1800
1	1	544-206-3117	Diff. Carrier Assembly	FR=4.63, Splined Yoke 1710 flanges
1	1	544-206-3737	Diff. Carrier Assembly	FR=5.54, Splined Yoke 1710 flanges
2	10	90303-16507	Hex Screw	M16x50
2	1	90311-16508	Allen Screw	M16x50
3	1	543-116-4510	Axle Housing	
4	1	90873-22109	Oil plug	M22x1.5
4	1	91201-22150	Seal ring	Cu
5	4	90111-29054	Rivet	
6	1	91600-20811	Name plate	
7	1	544-251-3710	Output Shaft	
8	1	591730-00551	Deep groove ball bearing	
9	2	91122-08505	Shaft seal	
10	1	544-321-0210	Seal housing	
11	8	90303-10303	Hex Screw	
12	1	538-918-0610	Output flange	HS 1700/1800
12	1	538-967-0410	End Yoke	Splined Yoke 1710
13	1	90705-43069	washer	
14	1	90546-42653	Nut	
15	1	90621-63633	Split pin	
16	6	90303-18503	Hex Screw	
17	2	90602-14323	Spring cotter	



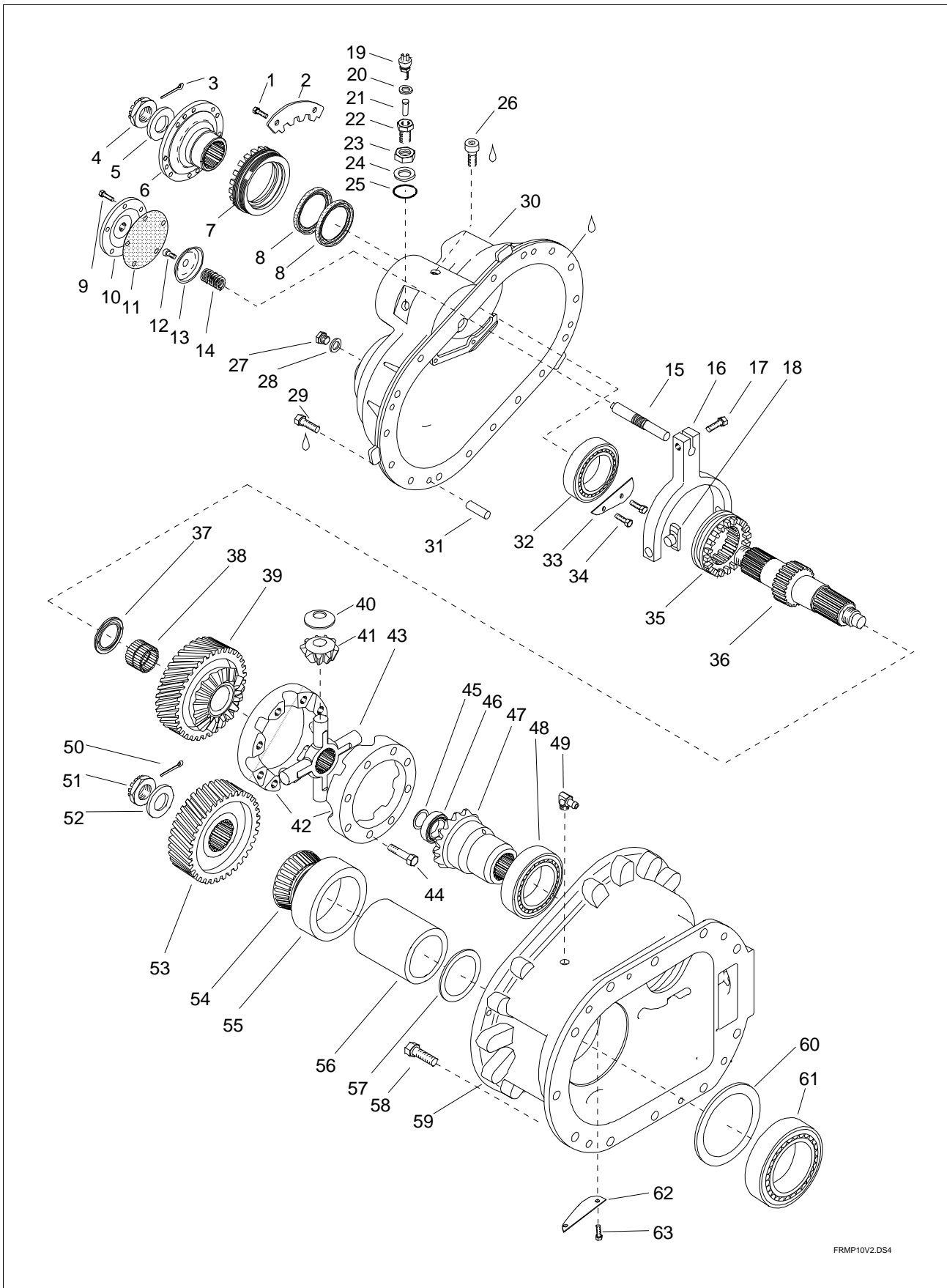
BTEHNAP3.DS4

Item	Qty.	Order no.	Description	Note
1	1	543-511-8000	Axle Shaft	LH, FRMP, W52x2x24, L=1087
1	1	543-511-8010	Axle Shaft	LH, FRFP, W52x2x24, L=1127
1	2	543-511-9310	Axle Shaft	FRDP, W52x2x24, L=1159
1	1	543-511-9400	Axle Shaft	RH, FRMP, W52x2x24, L=1240
1	1	543-511-9900	Axle Shaft	RH, FRFP, W52x2x24, L=1212
2	2	140-125-0100	Thrust pin	
3	2	591122-12702	Shaft seal	127x160, since No. 20577 (4/2002)
3	2	91122-12701	Shaft seal	127x159 (8/1995 -->4/2002)
4	2	090-111-0000	Bearing inner race	
5	2	090-121-5700	Bearing outer race	
6	2	543-411-3510	Wheel hub	With seal 91122-12701
6	2	543-411-3800	Wheel hub	Since No. 20577 (03/2002)
7	2	91744-01201	T. Roller bearing	
8	2	91109-50040	O-ring	D250x4
9	20	140-911-3210	Wheel bolt	L=122
10	20	540-916-1610	Wheel nut	
11	8	90303-10303	Hex Screw	M10x30
12	2	91720-22001	Retainer ring	D220x3
13	2	535-271-0611	Ring gear hub	
14	2	143-418-0510	Lock Washer	
15	2	599-290-8004	Lock Nut	M90x2
16	2	590319-08186	Allen Screw	M8x18
17	2	590319-08126	Allen Screw	M8x12
18	2	090-721-8500	Protective cup	
19	2	535-261-2110	Ring gear	
20	2	535-211-1300	Sun gear	N52x2x24
21	2	91711-05200	Retainer ring	D52x2
22	10	590169-01670	Special screw	
23	2	535-231-1300	Planet carrier	Up to No. 10373 (1/2001)
23	2	535-231-1310	Planet carrier	Since No. 10374 (1/2001)
24	20	590-353-1100	Spacer plate	
25	480	91385-50240	Needle roller	D5x23.8
26	10	590-354-3100	Spacer ring	
27	10	535-241-1310	Planet gear	
28	10	535-251-1400	Planet gear shaft	Up to No. 10373 (1/2001)
28	10	535-251-1410	Planet gear shaft	Since No. 10374 (1/2001)
29	2	540-125-0310	Thrust pin	
30	2	541-471-0301	Hub Housing	
31	2	91201-22150	Seal ring	D22/27x1.5 Cu
32	2	90871-22193	Plug screw	M22x1.5, hex head
33	2	541-404-0151	Planetary gear	
34	2	543-416-0400	Spacer ring	L=44 mm
35	ar	590731-09510	Shim	s= 0.1 mm
35	ar	590731-09515	Shim	s= 0.15 mm
35	ar	590731-09520	Shim	s= 0.2 mm
35	ar	590731-09550	Shim	s= 0.5 mm



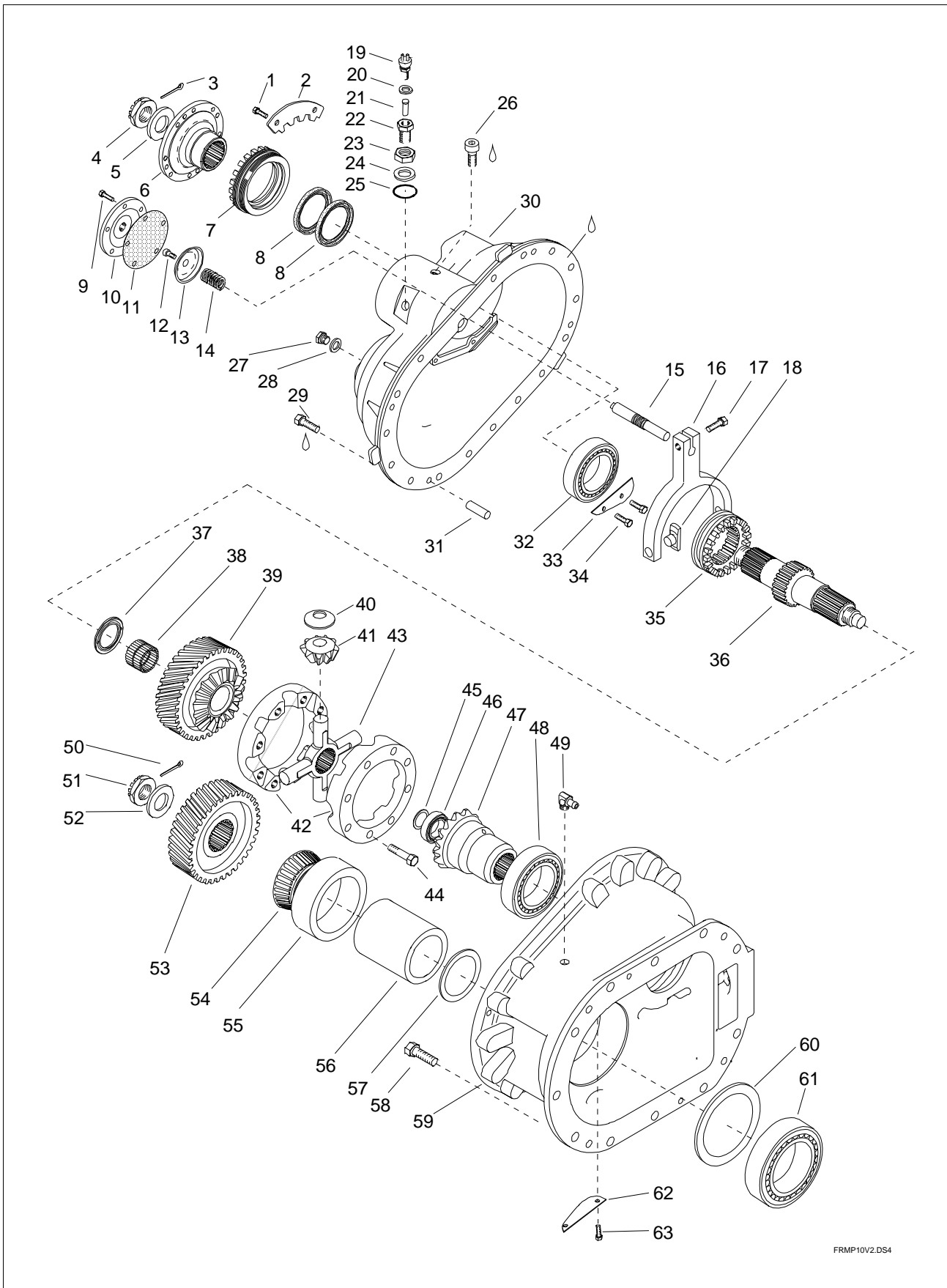
FRMP10V1.DS4

Item	Qty.	Order no.	Description	Note
1	1	544-210-1711	Differential Carrier	Incl. Bearing case halves
2	4	590604-08141	Pin	Ø8x14
3	2	143-214-2280	Bearing Case Half	Not serviced separately
4	4	90301-20217	Hex Screw	
5	4	90303-08103	Hex Screw	
6	2	143-227-0202	Lock Washer	
7	2	143-226-1100	Adjusting nut	
8	1	91744-12001	T. Roller bearing	
9	1	91744-00753	T. Roller bearing	
10	1	543-240-3211	Ring and pinion gear set	22/28, Final Ratio 4.63
10	1	543-240-6521	Ring and pinion gear set	21/32, FR 5.54
11	12	90311-16218	Allen Screw	M16x110
12	1	543-310-3721	Diff. case assy	
13	1	544-341-2100	Sliding Gear	
14	1	143-356-0310	Thrust washer	
15	1	543-351-4410	Side gear	
16	4	143-341-1600	Pinion gear	
17	1	143-331-1601	Spider	
18	1	543-351-4400	Side gear	
19	1	090-356-7000	Thrust washer	
20	5	90303-08203	Hex Screw	
21	1	172-161-0701	Membrane cover	M16x1.5
22	1	172-351-1202	Membrane	
23	1	90319-08206	Screw	M8x20
24	1	172-361-0410	Push plate	
25	1	097-122-0100	Return spring	
26	1	172-212-1710	Sliding Shaft	
26	1	572-212-1711	Sliding Shaft	Superseded by 172-212-1710
27	1	90313-06208	Allen Screw	
28	1	544-751-1600	Control fork	
29	2	133-348-0710	Sliding shoe	
30	1	91711-06000	Retainer ring	
31	1	90335-05108	Stopping screw	
32	1	544-348-0100	Sliding ring	
33		541-812-0210	Guide plate	Superseded by 541-812-0211 9/99
33	1	541-812-0211	Guide plate	Substitute for 541-812-0210 9/99
34	1	186-490-0281	Signal Lamp Switch	
35	1	91201-12150	Seal ring	
36	1	141-812-0100	Control pin	D8/10x26
37	1	141-812-0000	Binding screw	M12x1.5/M18x1.5
38	1	91842-18243	Lock Nut	
39	1	91838-18010	Pressure ring	
40	1	91838-18100	O-ring	
41	2	90604-10201	Cotter Pin	



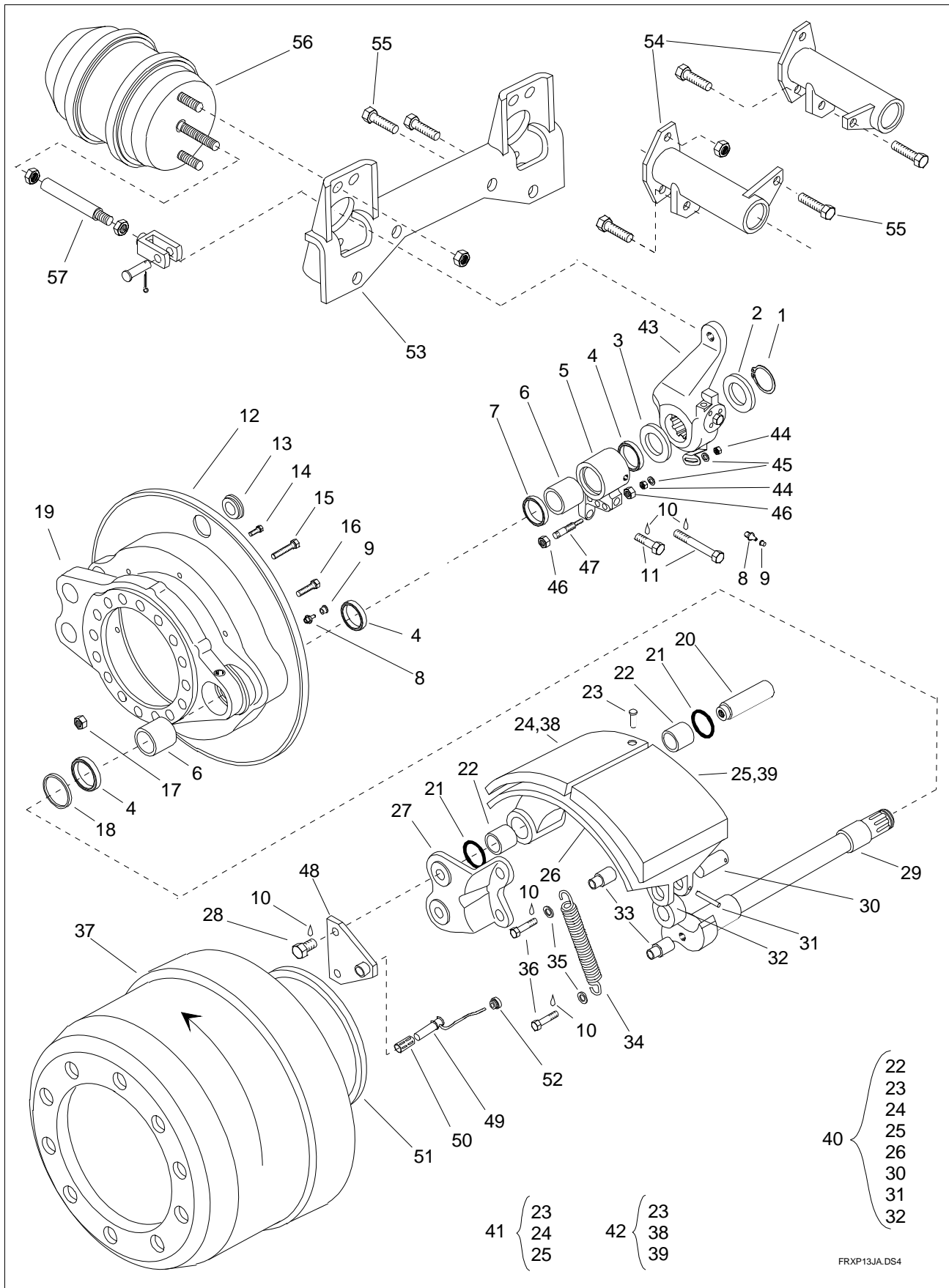
FRMP10V2.DS4

Item	Qty.	Order no.	Description	Note
1	2	90303-08203	Hex Screw	M8x20
2	1	143-227-0710	Lock Washer	
3	1	90621-63633	Split pin	D6.3x63
4	1	90546-42653	Nut	M42x1.5
5	1	90705-43069	washer	D43/80x6
6	1	538-918-0600	Flange	HS 1700/1800
6	1	538-918-0801	Flange	ISO 8667-T180
6	1	538-967-0400	End Yoke	Splined Yoke 1710
7	1	543-226-1300	Adjusting nut	
8	2	91122-08505	Shaft seal	D85/105x10
9	5	90303-08203	Hex Screw	M8x20
10	1	172-161-1401	Membrane cover	Superceded by 572-161-1501
10	1	572-161-1501	Membrane cover	M16x1.5, side connection
11	1	172-351-1202	Membrane	
12	1	90319-08206	Screw	M8x20
13	1	172-361-0410	Push plate	D70x12
14	1	097-122-0100	Return spring	D29.5x43
15	1	172-212-1710	Sliding Shaft	D16/20x125
16	1	544-751-1610	Control fork	
17	1	90313-08208	Allen Screw	M8x20
18	2	133-348-1701	Sliding shoe	
19	1	186-490-0281	Signal Lamp Switch	
20	1	91201-12150	Seal ring	D12/15.5x1.5 Cu
21	1	141-812-0100	Control pin	D8/10x26
22	1	141-812-0000	Binding screw	M12x1.5/M18x1.5
23	1	91842-18243	Lock Nut	M18x1.5
24	1	91838-18010	Pressure ring	Ms DR/R 18x23
25	1	91838-18100	O-ring	Ø16x2.5
26	1	90871-10143	Plug screw	M10x1, hex head 14 mm
27	2	90871-22193	Plug screw	M22x1.5, hex head
28	2	91201-22150	Seal ring	D22/27x1.5 Cu
29	16	90303-12308	Hex Screw	M12x30
30	1	544-221-0800	Diff. Carrier Cover	
31	2	90604-10201	Cotter Pin	D10x20
32	1	91744-00656	T. Roller bearing	
33	1	546-167-1200	Oil Plate	
34	2	90303-08203	Hex Screw	M8x20
35	1	544-274-0810	Sliding Ring	
36	1	544-251-3700	Intermediate Shaft	
37	1	544-282-0300	Thrust washer	
38	1	91738-40621	Needle bush	
39	1	544-269-1000	Gear	
40	4	143-345-1010	Thrust washer	D29.5/63
41	4	543-341-1800	Pinion gear	
42	1	543-310-4611	Diff. case assy	
43	1	543-331-2000	Spider	
44	10	90303-12603	Hex Screw	M12x60
45	ar	90731-03510	Shim	(0.1 mm)
45	ar	90731-03520	Shim	(0.2 mm)
45	ar	90731-03550	Shim	(0.5 mm)
45	ar	90732-03510	Shim	(1.0 mm)
46	1	91744-00351	T. Roller bearing	
47	1	543-351-4500	Side gear	
48	1	91744-01001	T. Roller bearing	
49	1	591952-11212	Fitting	Only up to No. 03684



FRMP10V2.DS4

Item	Qty.	Order no.	Description	Note
50	1	90621-63633	Split pin	D6.3x63
51	1	90546-42653	Nut	M42x1.5
52	1	90705-43069	washer	D43/80x6
53	1	544-261-2210	Gear	
54	1	090-110-6740	Bearing inner race	
55	1	090-121-3700	Bearing outer race	
56	ar	599-557-1061	Spacer ring	L=57.02
56	ar	599-557-1062	Spacer ring	L=57.04
56	ar	599-557-1063	Spacer ring	L=57.06
56	ar	599-557-1064	Spacer ring	L=57.08
57	ar	099-517-1000	Shim	(s=0.30)
57	ar	099-517-1001	Shim	(s=0.40)
57	ar	099-517-1002	Shim	(s=0.50)
58	4	590313-12208	Allen Screw	M12x20
58		90303-12203	Hex Screw	M12x20, alternative for 590313-12208
59	1	544-211-1800	Diff. Carrier Housing	Superceded by 544-211-1801
59	1	544-211-1801	Diff. Carrier Housing	With breather bore, up to No. 03684 (11/2000)
59	1	544-211-1802	Diff. Carrier Housing	W/o breather bore, since No. 03685 (11/2000)
60	ar	90731-12010	Shim	(s=0.1)
60	ar	90731-12020	Shim	(s=0.2)
60	ar	90731-12050	Shim	(s=0.5)
60	ar	90732-12010	Shim	(s=1.0)
61	1	090-050-7001	T. Roller bearing	
62	1	546-167-1110	Splashboard	Up to No. 03684
63	2	90303-06163	Hex Screw	Up to No. 03684



Item	Qty.	Order no.	Description	Note
1	2	91712-04000	Retainer ring	D40x2.5
2,3	4	91726-43065	Support ring	D43/65x3
4	6	91122-04201	Shaft seal	D42/55x8
5	1	146-224-2310	Bearing housing	RH
5	1	146-224-2400	Bearing housing	LH
6	4	590-314-2062	Sleeve	
7	2	91122-04202	Shaft seal	D42/55x7
8	4	91402-10003	Grease nipple	M10x1, Straight
9	4	91421-06060	Shield hat	
10		95752-10010	Thread locking compound	
11	2	90301-16117	Hex Screw	M16x100
11	2	90303-16407	Hex Screw	M16x40
12	2	146-131-2210	Dust Shield	210 mm
13	4	095-553-2000	Shield plug	
14	14	90303-08123	Hex Screw	M8x12
15	24	90169-01401	Hex Screw	M14x45
16	4	90301-14558	Hex Screw	M14x55
17	28	90550-14227	Nut	M14 self locking
18	2	91726-43065	Support ring	D43/65x3
19	2	146-111-2610	Brake Bracket	
20	4	146-341-1210	Anchor bolt	
21	8	91106-36212	O-ring	D36,2x3 Viton
22	8	590-313-2091	Sleeve	
23	96	91501-00819	Rivet	
26	4	146-351-4100	Brake shoe	210 mm
27	2	146-331-0400	Anchor support	
28	4	90303-10203	Hex Screw	M10x20, Without ABS
28	4	90303-10303	Hex Screw	M10x30, With ABS
29	1	146-213-1000	S-cam shaft	RH, L=629.5 mm, FRFP
29	1	146-213-1100	S-cam shaft	LH, L=629.5 mm, FRFP
29	1	546-213-2000	S-cam shaft	RH, L=604.5 mm, FRMP & FRDP
29	1	546-213-2100	S-cam shaft	LH, L=604.5 mm, FRMP & FRDP
30	4	146-373-0201	Pin	
31	4	90602-05450	Spring cotter	D5x40
32	4	146-371-0700	Roller	
33	6	599-601-8900	Bush	
34	4	92052-30002	Return spring	
35	6	90705-13023	washer	D13/24x2.5
36	6	90303-12603	Hex Screw	M12x60
37	2	146-311-7910	Brake drum	
40	4	546-306-0083	Brake shoe assy	210mm, Beral1561
41	ar	546-360-3113	Brake lining set	210mm, Beral1561, for one wheel
43	1	146-530-1011	Slack adjuster	RH, R145, offset 56
43	1	146-530-1021	Slack adjuster	LH, R145, offset 56
43	1	546-530-3111	Slack adjuster	LH, 165 mm, offset 56, FRFP
43	1	546-530-3121	Slack adjuster	RH, 165 mm, offset 56, FRFP
43	1	546-530-3411	Slack adjuster	RH, R165, offset 75, FRMP & FRDP
43	1	546-530-3421	Slack adjuster	LH, R165, offset 75, FRMP & FRDP
44	4	90502-08133	Nut	M8
45	4	90705-08423	washer	D8.4/17x1.6
46	4	90502-12193	Nut	M12
47	2	90177-01203	Stud bolt	M12/M8
48	2	189-931-0900	Bracket	ABS
49	2	189-250-0071	Sensor	ABS
50	2	189-295-0000	Bush	ABS
51	2	189-291-0000	Ring gear	100 Teeth, ABS
52	2	592235-17041	Rubber bushing	D4/17
53	1	546-721-6600	Chamber bracket	20 deg., c/c 340, 145 mm, FRFP
53	1	546-721-6800	Chamber bracket	17 deg., c/c 390, 145 mm, FRMP & FRDP
54	1	546-721-6500	Chamber bracket	RH, 17 deg. for 165 mm slack adjuster
54	1	546-721-6510	Chamber bracket	LH, 17 deg. for 165 mm slack adjuster
54	1	546-721-6900	Chamber bracket	RH, 13 deg. for 165 mm slack adjuster
54	1	546-721-6910	Chamber bracket	LH, 13 deg. for 165 mm slack adjuster
55	4	90303-16407	Hex Screw	M16x40, 10.9