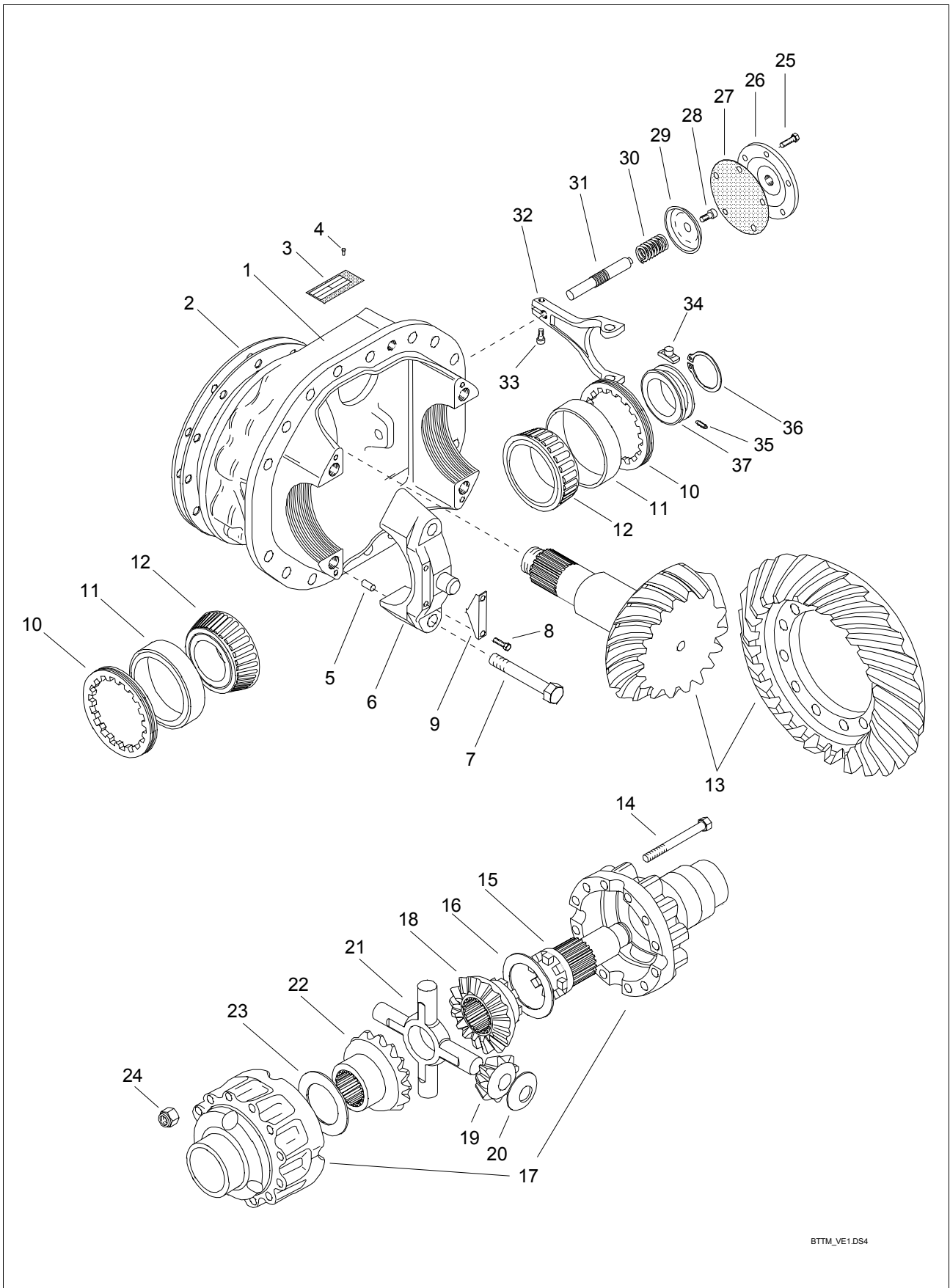


SISU AXLES

SPARE PARTS BOOK

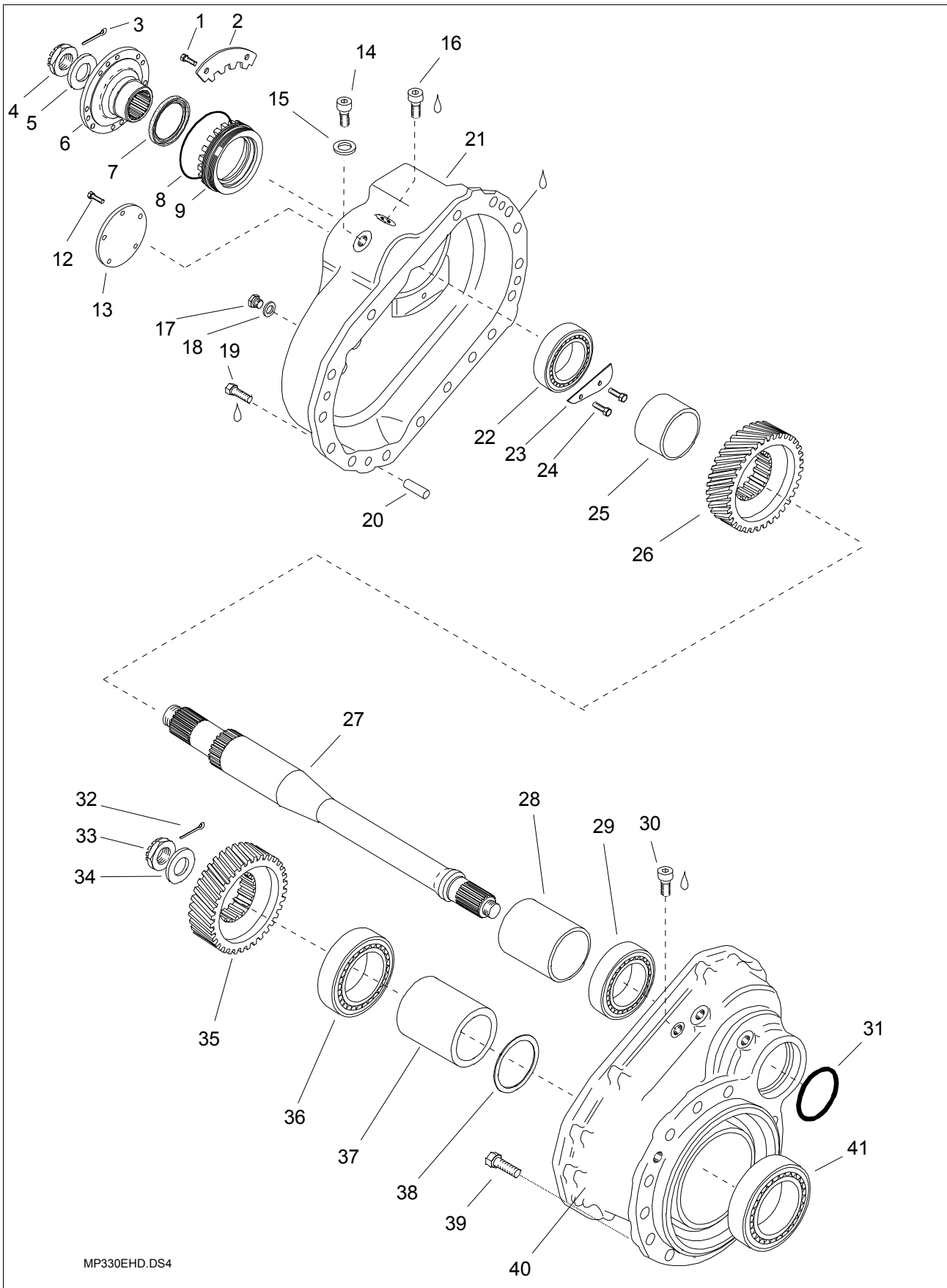
**Drive Gear
MP-330
544-401-8419
Book No. 261 (7/2004)**

Sisu Axles, Inc.
Autotehtaan tie 1
PO Box 189
FIN-13101 Hämeenlinna
Finland
Phone +358 204 55 2999
Fax +358 204 55 2900



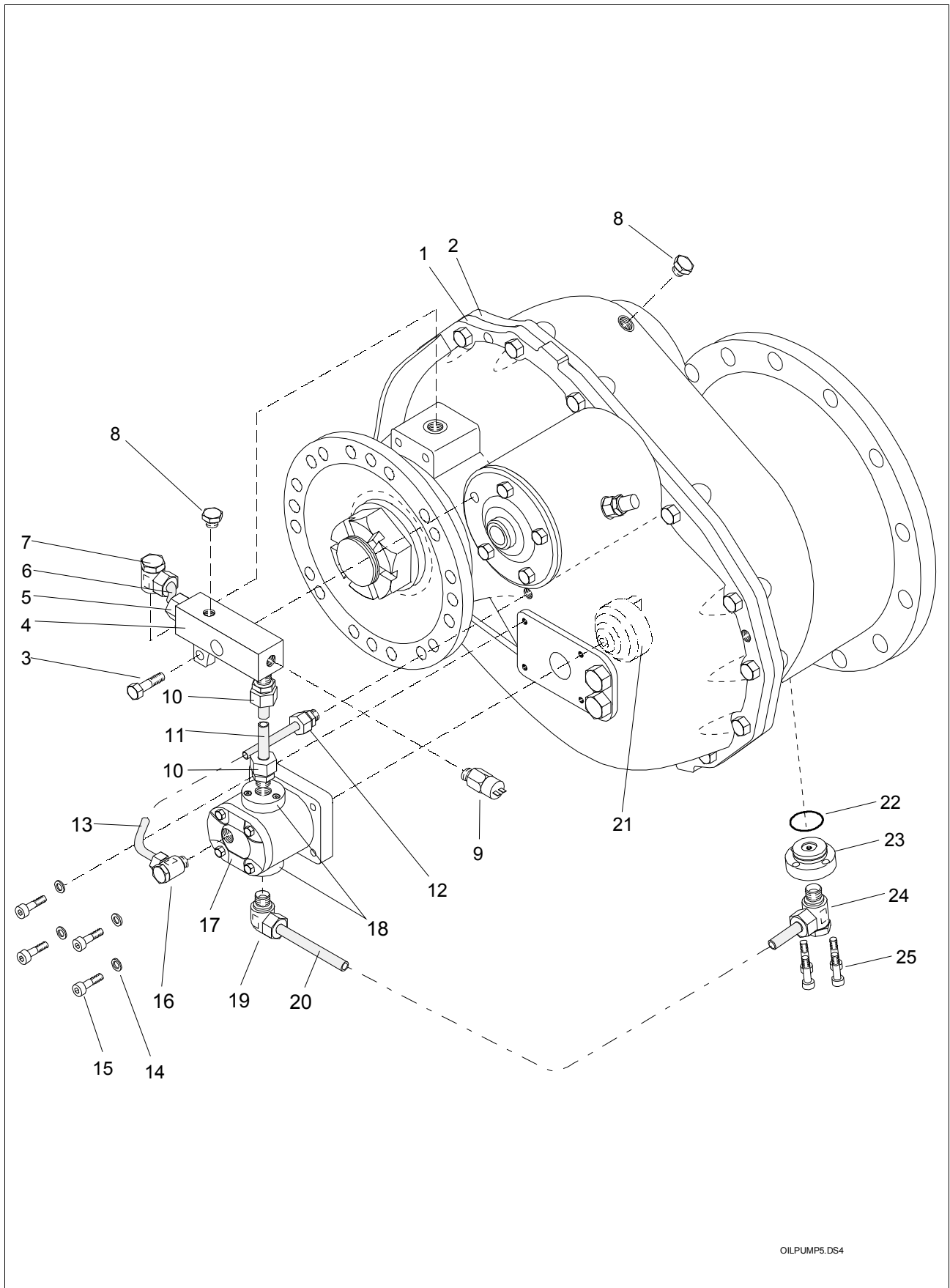
BTTM_VE1.DS4

Item	Qty.	Order №.	Description	Note
1	1	144-210-1911	Differential Carrier	Inc. Bearing Case Halfs
2	ar	144-239-2000	Shim	(1.0 mm)
2	ar	144-239-2001	Shim	(0.5 mm)
2	ar	144-239-2002	Shim	(0.2 mm)
2	ar	144-239-2003	Shim	(0.1 mm)
3	1	91600-20811	Name plate	
4	4	90111-29054	Rivet	D2.9x5
5	4	590604-08141	Pin	8x14
6	2	143-214-2180	Bearing Case Half	Not Serviced Separately
7	4	90301-20377	Hex Screw	M20x130
8	4	90303-08103	Hex Screw	M8x10
9	2	143-227-0610	Lock Washer	
10	2	143-226-0012	Adjusting nut	D149
11	2	090-121-4700	Bearing outer race	
12	2	090-110-9000	Bearing inner race	
13	1	543-240-7319	Ring and pinion gear set	14/27, FR=7.01 D=75mm
14	12	90321-16538	Hex Screw	M16x1.5
15	1	144-341-1700	Sliding Gear	
16	1	090-359-7000	Thrust washer	D97/127x3
17	1	143-310-3811	Diff. case assy	
18	1	143-351-3510	Side gear	D58/Z23
19	4	143-341-0700	Pinion gear	
20	4	143-345-0400	Thrust washer	D29/65x1.5
21	1	143-331-0603	Spider	
22	1	143-351-0900	Side gear	D58/Z23
23	1	090-357-5000	Thrust washer	D75/111x3
24	12	90556-16247	Nut	M16x1.5
25	5	90303-08203	Hex Screw	M8x20
26	1	172-161-0701	Membrane cover	M16x1.5
27	1	172-351-1202	Membrane	
28	1	90319-08206	Screw	M8x20
29	1	172-361-0410	Push plate	
30	1	097-122-0100	Return spring	
31	1	172-212-1710	Sliding Shaft	
32	1	144-751-1210	Control fork	
33	1	90313-06208	Allen Screw	M6x20
34	2	133-348-0710	Sliding shoe	
35	1	90335-05108	Stopping screw	M5x10
36	1	91711-06500	Retainer ring	D65
37	1	144-348-0000	Sliding ring	



MP330EHD.DS4

Item	Qty.	Order №.	Description	Note
1	2	90303-08203	Hex Screw	M8x20
2	1	143-227-0710	Lock Washer	
3	1	90621-63633	Split pin	6.3x63
4	1	90546-42653	Nut	M42x1.5
5	1	90705-43069	washer	D43/80x6
6	1	538-918-1610	Flange	HS 1700/1800 L=74.5
7	1	591122-08507	Shaft seal	Cassette seal D85/120x9/20
8	1	91101-39530	O-ring	D139.5x3
9	1	543-226-1400	Adjusting nut	For cassette seal
12	5	90303-08203	Hex Screw	M8x20
13	1	144-736-0300	Cover	
14	1	90871-18173	Plug screw	M18x1.5
15	1	91201-18150	Seal ring	D18/22x1.5 Cu
16	1	90873-10053	Plug screw	M10x1, Allen head
17	1	90871-22193	Plug screw	M22x1.5, hex head
18	1	91201-22150	Seal ring	D22/27x1.5 Cu
19	16	90303-12308	Hex Screw	M12x30
20	2	90604-10201	Cotter Pin	D10x20
21	1	144-221-0600	Diff. Carrier Cover	Without Pressure Lubrication
22	1	91744-00704	T. Roller bearing	
23	1	546-167-1101	Oil Plate	
24	2	90303-08203	Hex Screw	M8x20
25	1	143-261-0910	Spacer ring	D84/98x49.7
26	1	144-269-0810	Gear	Final Ratio 4.68 and up
27	1	144-251-3210	Intermediate Shaft	
28	1	143-261-0900	Spacer ring	D95/108x106
29	1	91744-00951	T. Roller bearing	
30	1	90873-10053	Plug screw	M10x1, Allen head
31	1	591106-99532	O-ring	D99.5x3
32	1	90621-63633	Split pin	6.3x63
33	1	90546-42653	Nut	M42x1.5
34	1	90705-43069	washer	D43/80x6
35	1	544-261-3010	Gear	Final Ratio 4.68 and up
36	1	090-050-7001	T. Roller bearing	For 75 mm pinion
37	ar	543-261-1500	Shim	D70.4/75.4/90 L=80.00
37	ar	543-261-1501	Shim	D70.4/75.4/90 L=80.02
37	ar	543-261-1502	Shim	D70.4/75.4/90 L=80.05
37	ar	543-261-1503	Shim	D70.4/75.4/90 L=80.08
38	ar	590731-07510	Shim	D75/95 s=0.10 mm
38	ar	590731-07530	Shim	D75/95 s=0.30 mm
38	ar	590731-07550	Shim	D75/95 s=0.50 mm
39	12	90303-16407	Hex Screw	M16x40, 10.9
40	1	544-211-2910	Diff. Carrier Housing	For pressure lubrication with 75 mm pinion
41	1	591744-00755	T. Roller bearing	For 75 mm pinion



OILPUMP5.DS4

Item	Qty.	Order №.	Description	Note
1	1	144-221-0610	Diff. Carrier Cover	With Pressure Lubrication
2	1	544-211-2910	Diff. Carrier Housing	For 75 mm pinion
3	1	90303-08303	Hex Screw	With oil pump
4	1	544-371-0000	By-pass manifold	
5	1	591951-61014	Fitting	M14x1.5, 10 mm
6	1	579-615-0100	Pipe	Dia 10 mm
7	1	591952-31008	Fitting	R1/4", 10 mm
8	2	90871-10143	Plug screw	M10x1, hex head 14 mm
9	1	586-340-0001	Pressure switch	
9	1	91201-14150	Seal ring	Cu 14x1.5
10	2	591951-51212	Fitting	R3/8", 12 mm
11	1	579-615-0010	Pipe	Dia 12 mm
12	1	91950-11010	Pipe joint	M10x1, 6 mm
13	1	579-615-0210	Pipe	Dia 6 mm
14	4	90705-06423	washer	
15	4	90313-06208	Allen Screw	M6x20
16	1	591952-10604	Fitting	R1/8", 6 mm
17	1	573-010-0001	Pump unit	
18	2	573-190-0001	Spacer flange	incl. screws
19	1	591952-11538	Fitting	R3/8", 15 mm
20	1	579-615-0910	Pipe	Dia 15 mm
21	1	544-361-0000	Shaft coupling	
22	1	591100-37020	O-ring	37x2
23	1	544-741-0010	Flange	
24	1	591952-31512	Fitting	R1/2", 15 mm
25	4	90313-06208	Allen Screw	M6x20