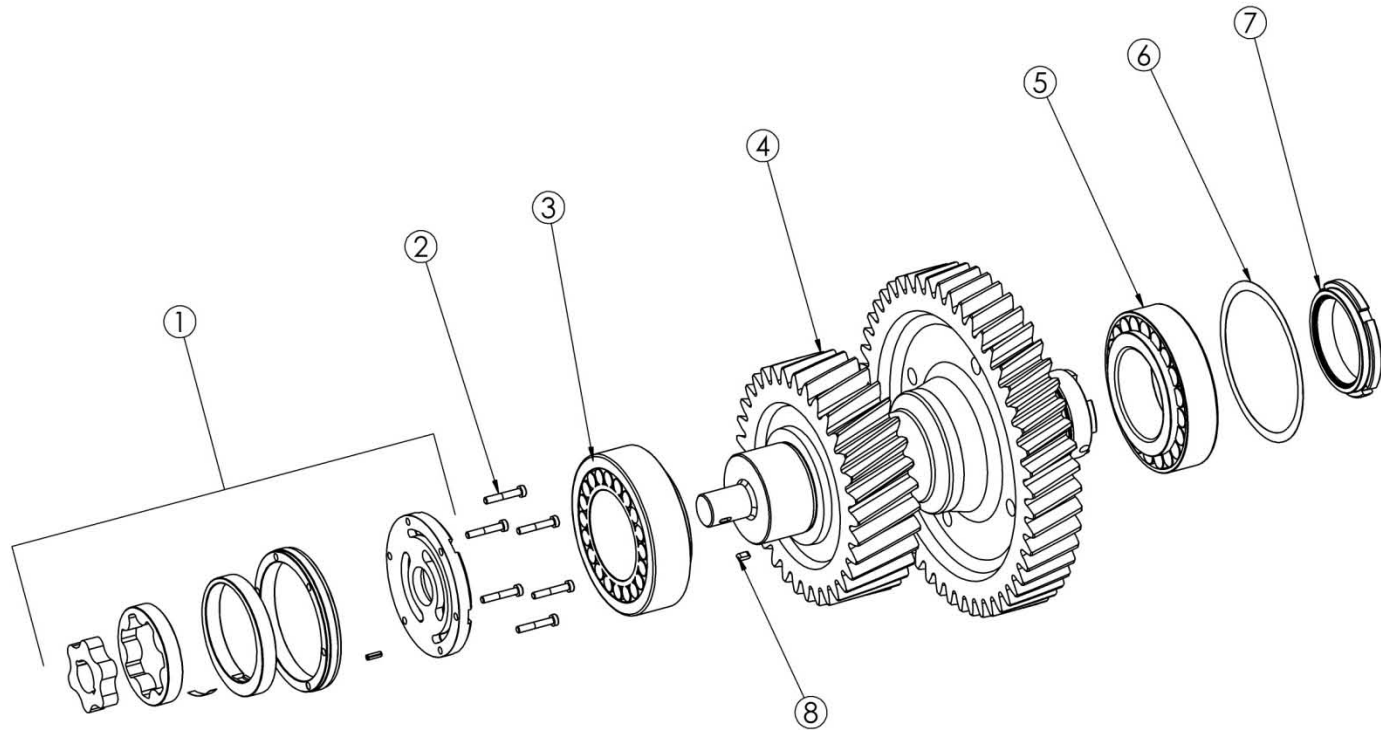


INTERMEDIATE SHAFT T30



Marmon-Herrington

