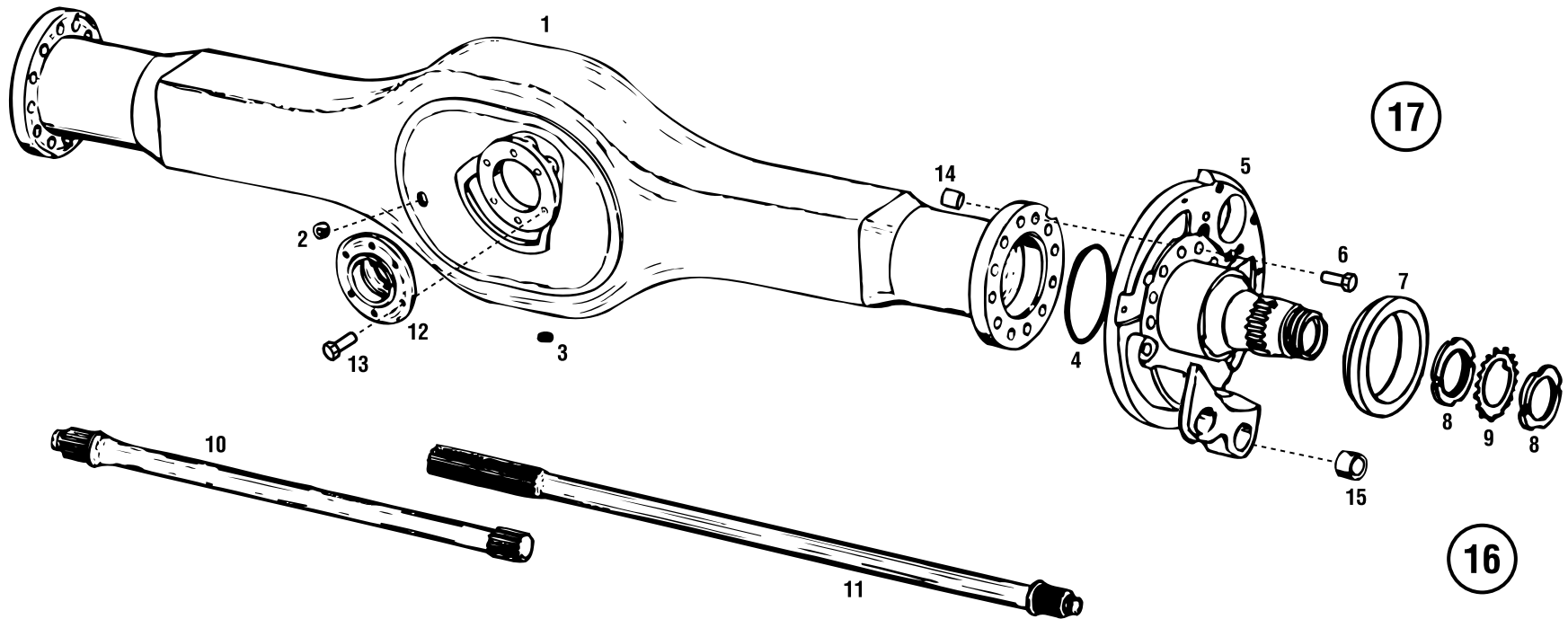


AXLE HOUSING & AXLE SHAFT RF17N/H



Marmon-Herrington

