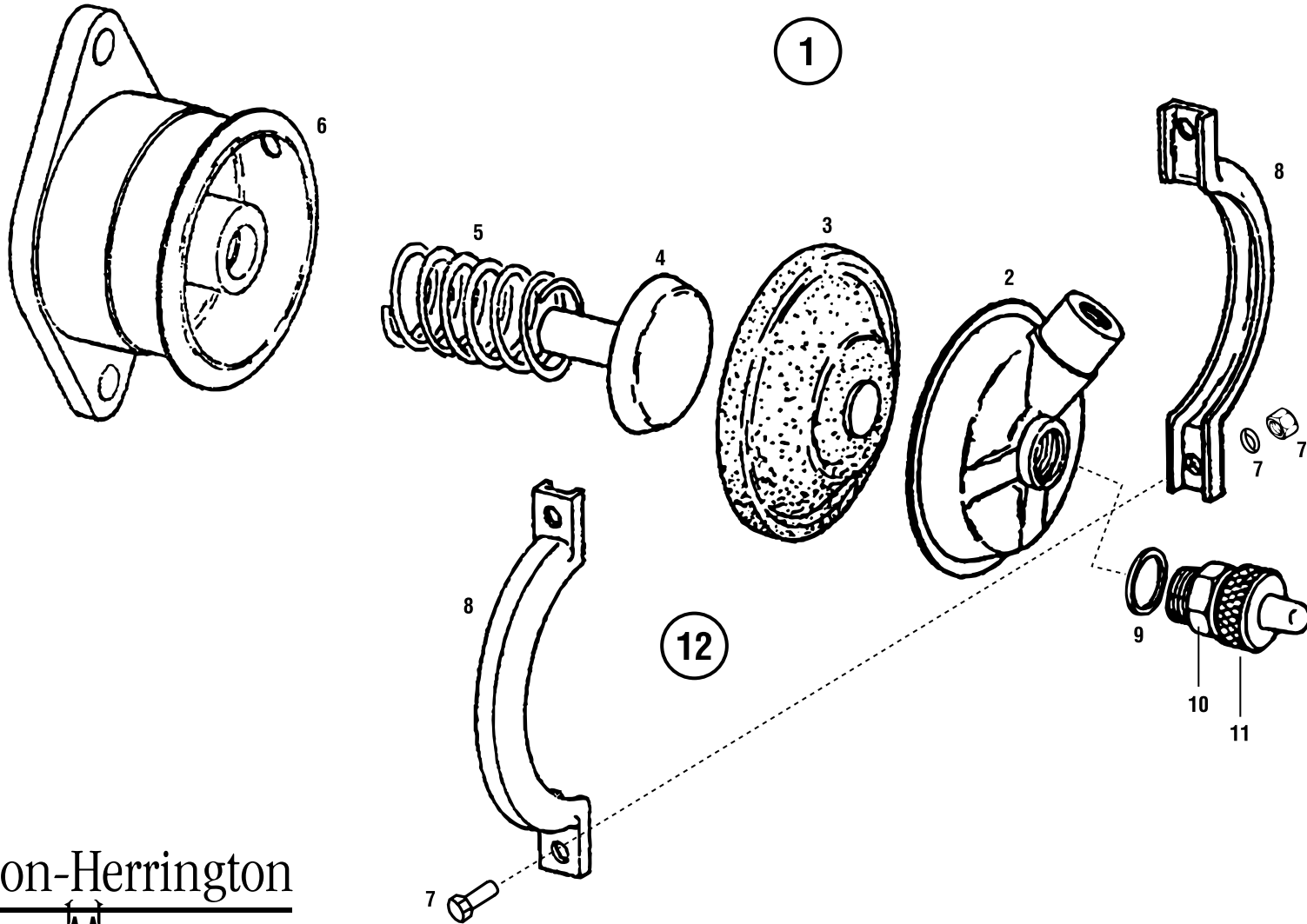


# DIFFERENTIAL LOCK AIR CHAMBER RF17N/H



Marmon-Herrington  
