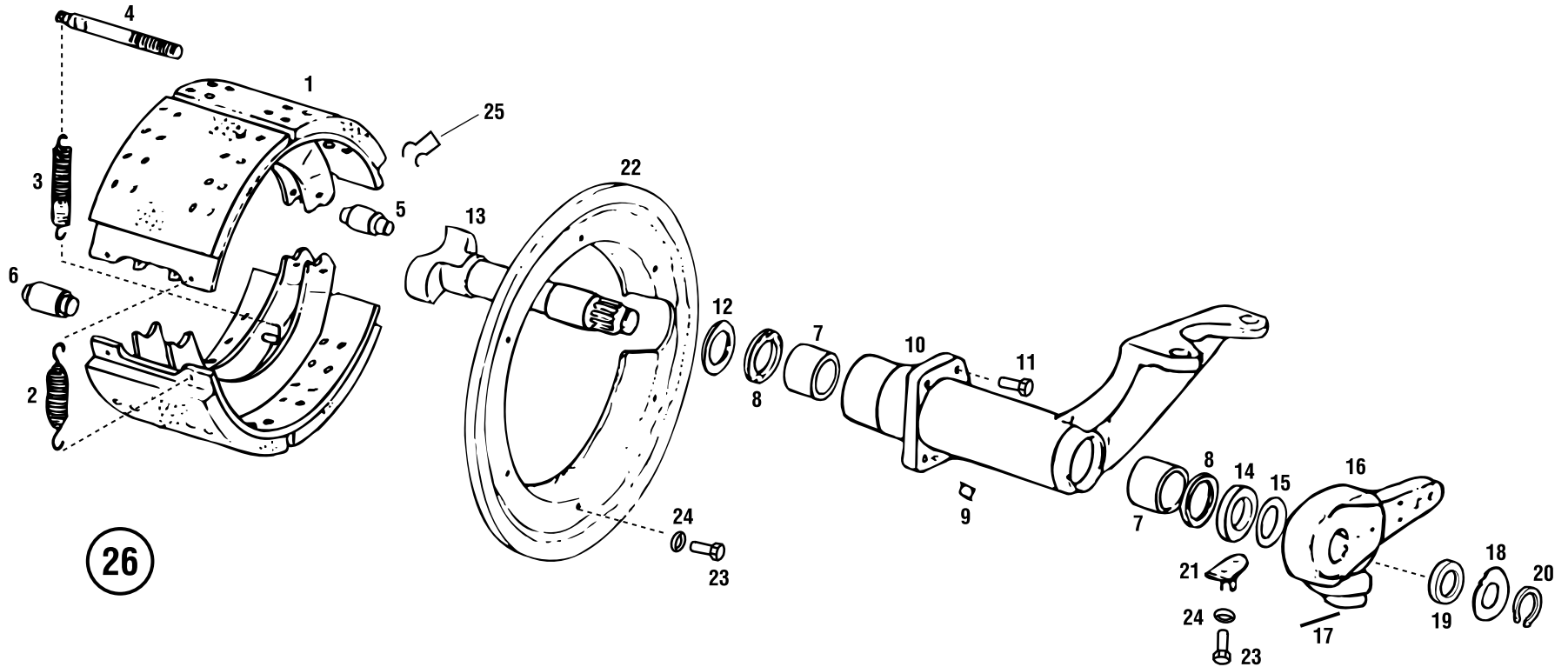


# BRAKE R17N/H



Marmon-Herrington

