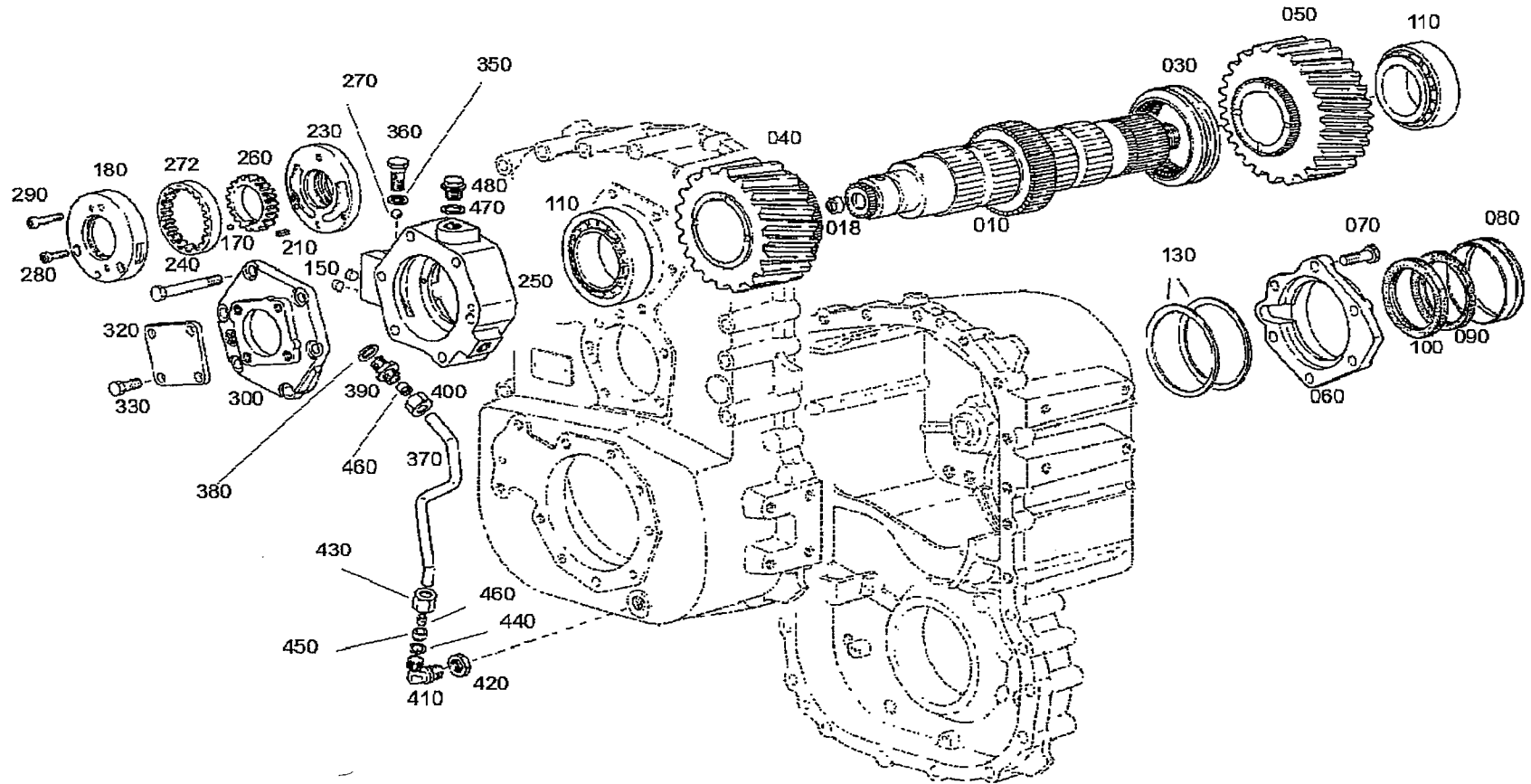


INPUT SHAFT GROUP



Marmon-Herrington

