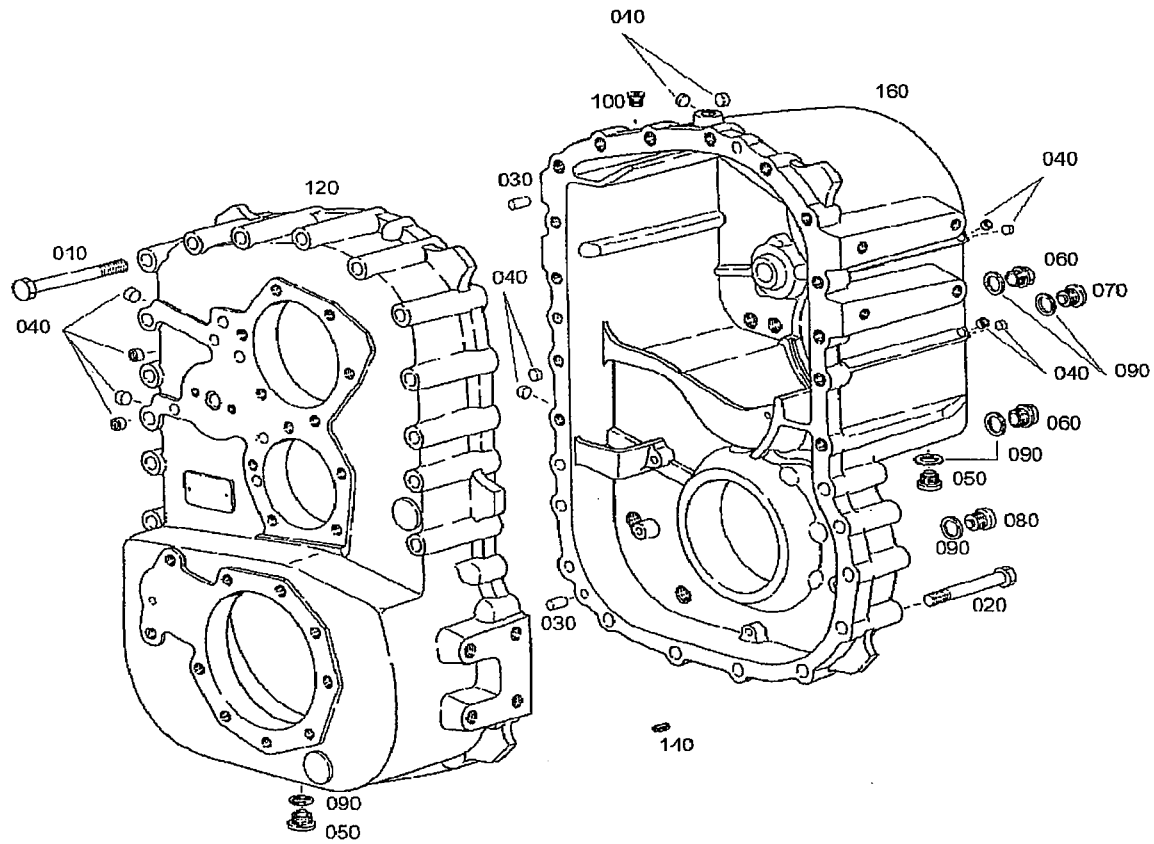


# HOUSING



Marmon-Herrington  
