



PARTS MANUAL
FOR
MVG 1200 SERIES

MARMON-HERRINGTON ALL-WHEEL DRIVE

13001 Magisterial Drive • Louisville, KY 40223
(502) 253-0277 • (800) 227-0727 • Fax (502) 253-0317
E-mail: info@marmon-herrington.com

TABLE OF CONTENTS

REPLACEMENT PARTS & WARRANTY CLAIM PROCEDURE	3
HOUSING MVG 1200/R	4-5
HOUSING MVG 1200N	6-7
CAPS, AXLE ENGAGE MVG 1200/R/N	8-9
GEARS & SHAFTS MVG 1200/R/N	10-11
OIL PUMP MVG 1200/R/N	12-13
OUTPUT SHAFT MVG 1200R	14-15
HIGH, LOW GEAR SHIFTING MVG 1200	16-17
HIGH, LOW GEAR SHIFTING MVG 1200N	18-19
POWER TAKE OFF MVG 1200/R/N	20-21



MARMON-HERRINGTON ALL-WHEEL DRIVE
13001 Magisterial Drive • Louisville, KY 40223
(502) 253-0277 • (800) 227-0727 • Fax (502) 253-0317
E-mail: info@marmon-herrington.com

REPLACEMENT PARTS

When ordering replacement parts for **MARMON-HERRINGTON LOW FLOOR** conversions, the following information should be given:

1. **FACTORY ORDER NUMBER** (found on I.D. Plate or small plate affixed to axle housing). This will be a six (6) digit number. (See illustrations this page.)
2. Component for which parts are required, i.e. front drive axle or transfer case/drop box.
3. Model of axle and/or transfer case/drop box, i.e. MT10, MVG 750, MDB500.
4. Give quantity and part number required.
NOTE: Drive lines, shift linkage, etc., can be found on the computer print out of Bill of Material, which is included in the Service Manual.
5. Give complete billing and shipping address.

WARRANTY CLAIM PROCEDURE

Before proceeding with repairs or ordering parts that you feel may be covered under warranty, you must first contact Marmon-Herrington Customer Service Department and obtain a Repair Authorization Number.


Please be prepared to supply all of the following information:

- **Factory Order Number** – This is located on an ID plate fixed to either the driver's door panel or the component (axle or transfer case) itself.
- **Model and Serial Number** (required) – Again located on the ID plate fixed to either the driver's door panel or the component itself.
- **Vehicle Year, Make and Model**
- **Vehicle Identification Number**
- **Mileage**
- **In Service Date**

The information necessary for replacement parts and/or warranty claim procedures will be found on either plate design.

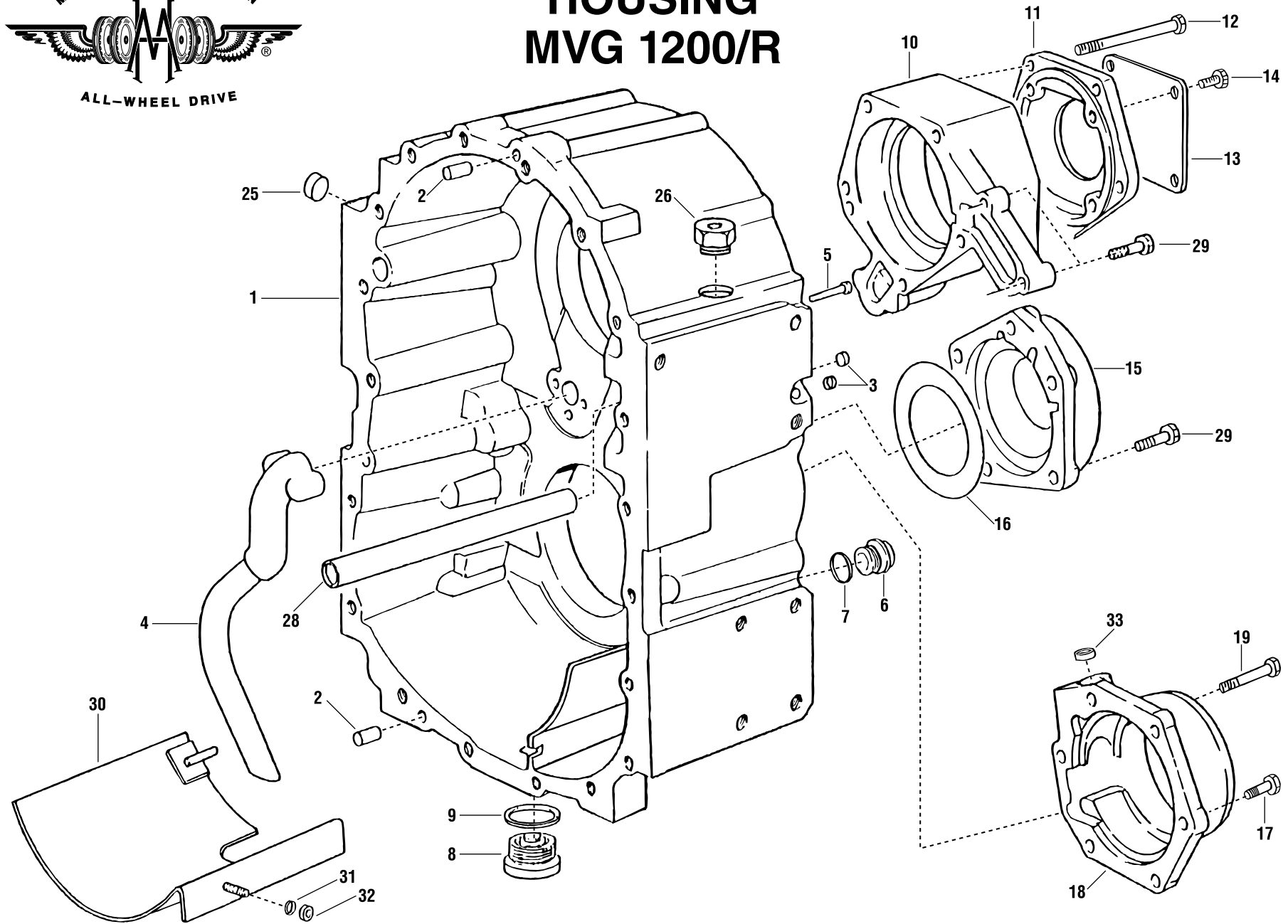
MARMON-HERRINGTON			
SALES ORDER	0000-00	RATIO	
S/N		TYPE	
CUST P/N			

MARMON-HERRINGTON			
SALES ORDER	0000-00		
S/N		TYPE	
CUST P/N			
COVERED BY ONE OR MORE OF THE FOLLOWING PATENTS: U.S. PATENTS 4,878,691; 4,934,733; 5,016,912; 5,275,430; 5,839,750; AND 6,398,251; AND CA PATENT 1,316,185. OTHER U.S. AND FOREIGN PATENTS PENDING.			

	
ALL-WHEEL DRIVE LOUISVILLE, KENTUCKY U.S.A.	
FACTORY ORDER NO.	0000-00
INSTALLED BY	
FRONT DRIVING AXLE	
MODEL	
CAPACITY	
SERIAL NO.	
RATIO	
TRANSFER CASE	
MODEL	
SERIAL NO.	

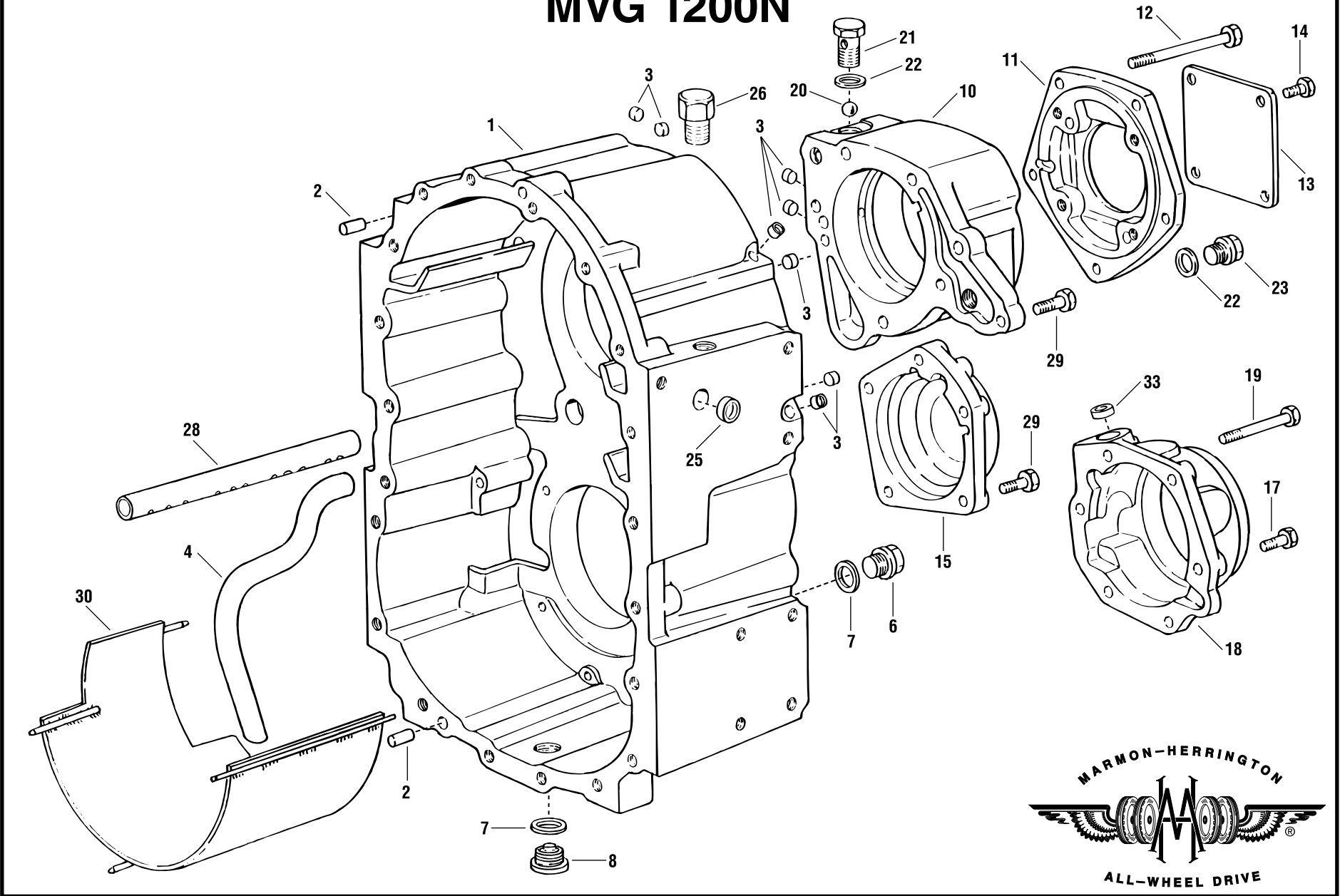


HOUSING MVG 1200/R



ITEM NO.	MH PART NO.	DESCRIPTION	QTY. REQ.	ITEM NO.	MH PART NO.	DESCRIPTION	QTY. REQ.
1	MVG12-1005	Housing (MVG 1200/R Only)	1				
2	MVG12-1006	Parallel Pin	2				
3	MVG12-1007	Core Hole Plug	2				
4	MVG12-1008	Suction Pipe	1				
5	11503948	M6x25 Hex Head Bolt	3				
6	MVG12-1009	M22x1.5 Fill Plug	1				
7	MVG12-1010	Gasket Fill Plug	1				
8	MVG12-1011	Drain Plug (MVG 1200/R Only)	1				
9	MVG12-1012	Gasket Drain Plug (MVG 1200/R Only)	1				
10	MVG12-1013	Housing	1				
11	MVG12-1014	Cover	1				
12	11500787	M10x100 Hex Head Bolt	5				
13	MVG12-1015	Cover	1				
14	11500788	M12x16 Hex Head Bolt	4				
15	MVG12-1016	Bearing Cap Rear Idler	1				
16	MVG12-1017A	Shim .10mm	AR				
	MVG12-1017B	Shim .20mm	AR				
	MVG12-1017C	Shim .50mm	AR				
17	11500725	M10x35 Hex Head Bolt	5				
18	MVG12-1018	Bearing Cap Rear Output	1				
19	11500782	M10x55 Hex Head Bolt	1				
25	MVG12-1019	Core Plug	1				
26	MVG12-1020	Vent	1				
28	MVG12-1021	Spraying Pipe	1				
29	11500724	M10x30 Hex Head Bolt	7				
30	MVG12-1022	Oil Sheet	1				
31	MVG12-1023	Washer	1				
32	MVG12-1024	Nut	1				
33	MVG12-1025	Core Plug	1				
		AR = As Required					

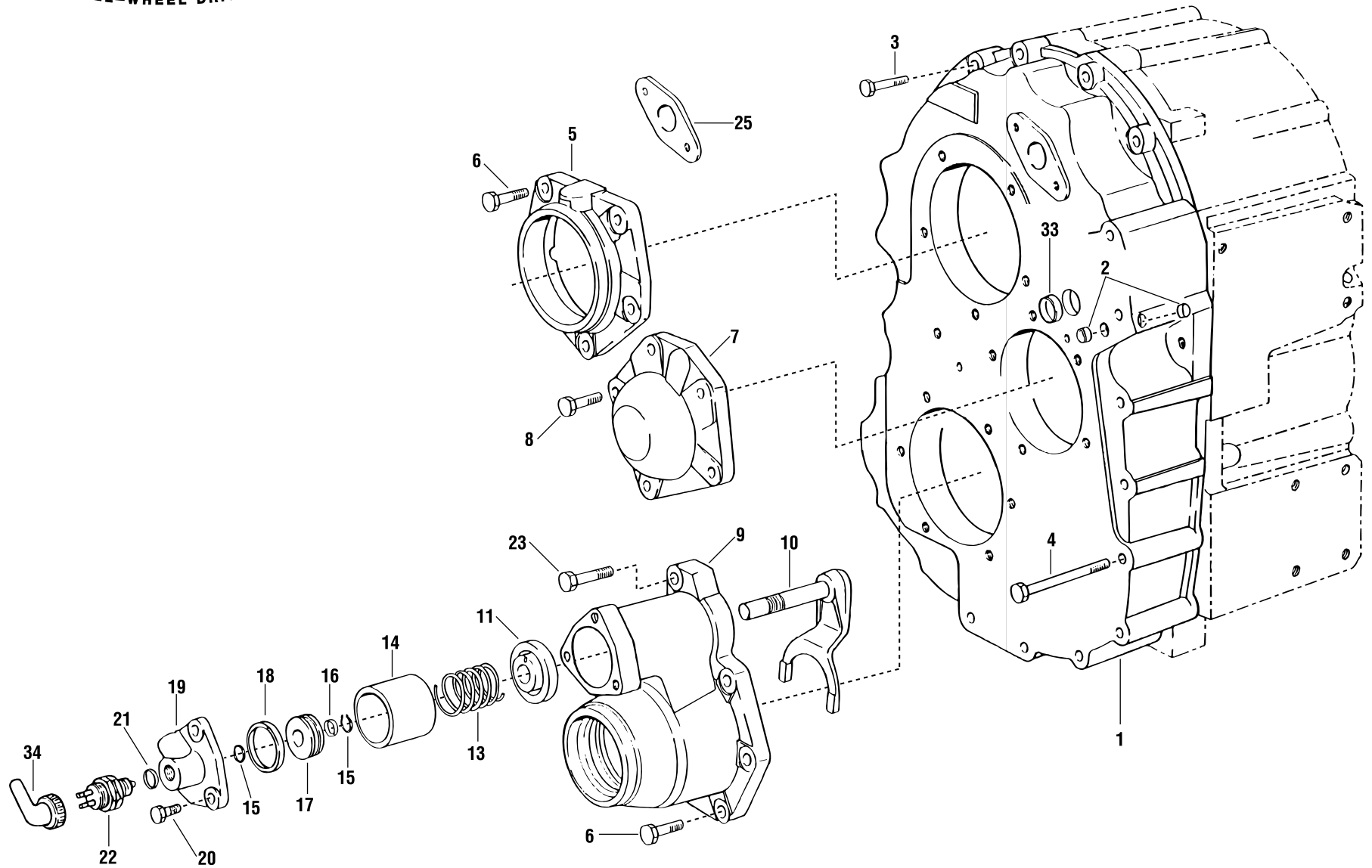
HOUSING MVG 1200N



ITEM NO.	MH PART NO.	DESCRIPTION	QTY. REQ.	ITEM NO.	MH PART NO.	DESCRIPTION	QTY. REQ.
1	MVG12-1004	Housing (MVG 1200N Only)	1				
2	MVG12-1006	Parallel Pin	2				
3	MVG75-1009	Core Hole Plug	8				
4	MVG12-1144	Suction Pipe	1				
6	MVG12-1009	M22x1.5 Fill Plug	1				
7	MVG12-1010	Gasket Fill Plug	1				
8	MVG12-1142	Drain Plug	1				
10	MVG12-1136	Housing	1				
11	MVG12-1138	Cover	1				
12	11500787	M10x100 Hex Head Bolt	5				
13	MVG12-1015	Cover	1				
14	11500788	M12x16 Hex Head Bolt	4				
15	MVG12-1016	Bearing Cap Rear Idler	1				
17	11500725	M10x35 Hex Head Bolt	5				
18	MVG12-1018	Bearing Cap Rear Output	1				
19	11500782	M10x55 Hex Head Bolt	1				
20	MVG12-1137	Ball 11.0mm	1				
21	MVG75-1030	Hollow Screw	1				
22	MVG75-1128	Sealing Ring	2				
23	MVG12-1146	Hex Head Screw Plug	1				
25	MVG12-1143	Core Plug	1				
26	MVG12-1020	Vent	1				
28	MVG12-1021	Spraying Pipe	1				
29	11500724	M10x30 Hex Head Bolt	7				
30	MVG12-1145	Oil Sheet	1				
33	MVG12-1025	Core Plug	1				

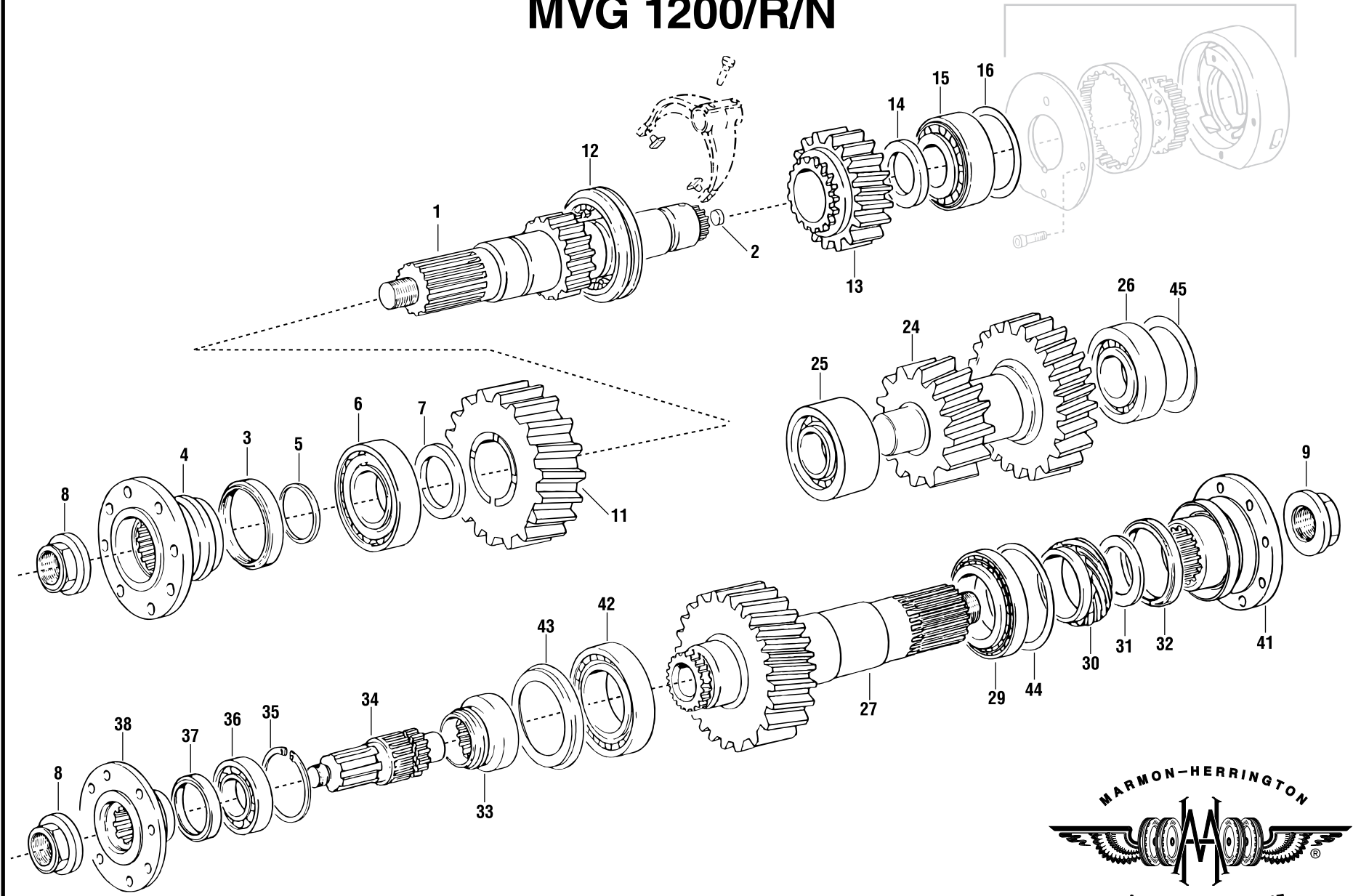


CAPS, AXLE ENGAGE MVG 1200/R/N



ITEM NO.	MH PART NO.	DESCRIPTION	QTY. REQ.	ITEM NO.	MH PART NO.	DESCRIPTION	QTY. REQ.
1	MVG12-1026	Cover Main Case (MVG 1200/R Only)	1				
	MVG12-1003	Cover Main Case (MVG 1200N Only)	1				
2	MVG12-1007	Core Plug	4				
3	11500732	M12x40 Hex Head Bolt	11				
4	11500796	M12x100 Hex Head Bolt	9				
5	MVG12-1027	Bearing Cap Front Input	1				
6	11500724	M10x30 Hex Head Bolt	11				
7	MVG12-1028	Bearing Cap Front Idler	1				
8	11500724	M10x30 Hex Head Bolt	5				
9	MVG12-1029	Bearing Housing Front Output	1				
10	MVG12-1030	Shifter Fork	1				
11	MVG12-1031	Washer	1				
13	MVG12-1033	Spring	1				
14	MVG12-1034	Bushing	1				
15	MVG12-1001	Snap Ring	2				
16	MVG12-1036	O-Ring	1				
17	MVG12-1037	Piston	1				
18	MVG12-1038	Sealing Cup	1				
19	MVG12-1039	Cover	1				
20	11500773	M8x16 Hex Bolt	3				
21	MVG12-1040	Gasket	1				
22	MVG12-1041	Pressure Switch	1				
23	11500779	M10x40 Hex Bolt	1				
25	MVG12-1043A	Shim .30mm	AR				
	MVG12-1043B	Shim .50mm	AR				
33	MVG12-1019	Core Plug	1				
34	MT75-7750	Connector	1				
		AR = As Required					

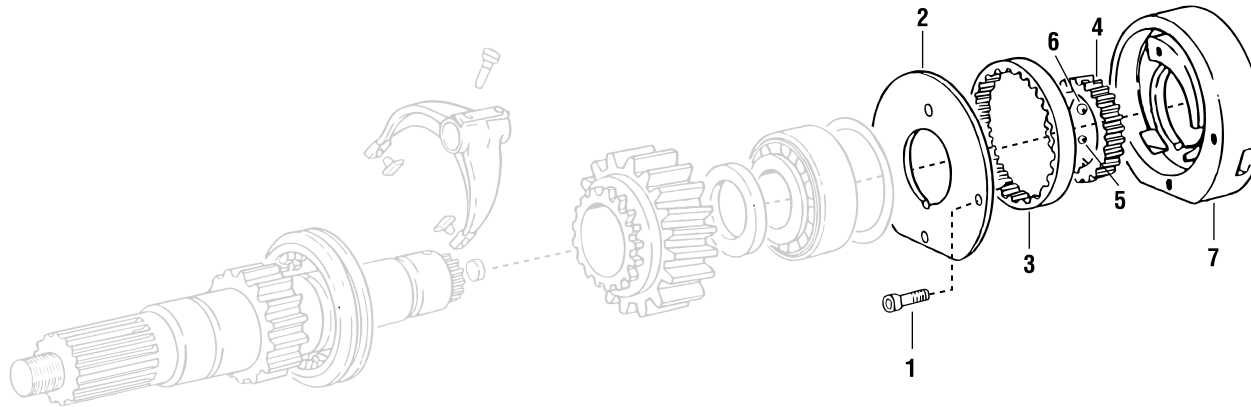
GEARS & SHAFTS MVG 1200/R/N



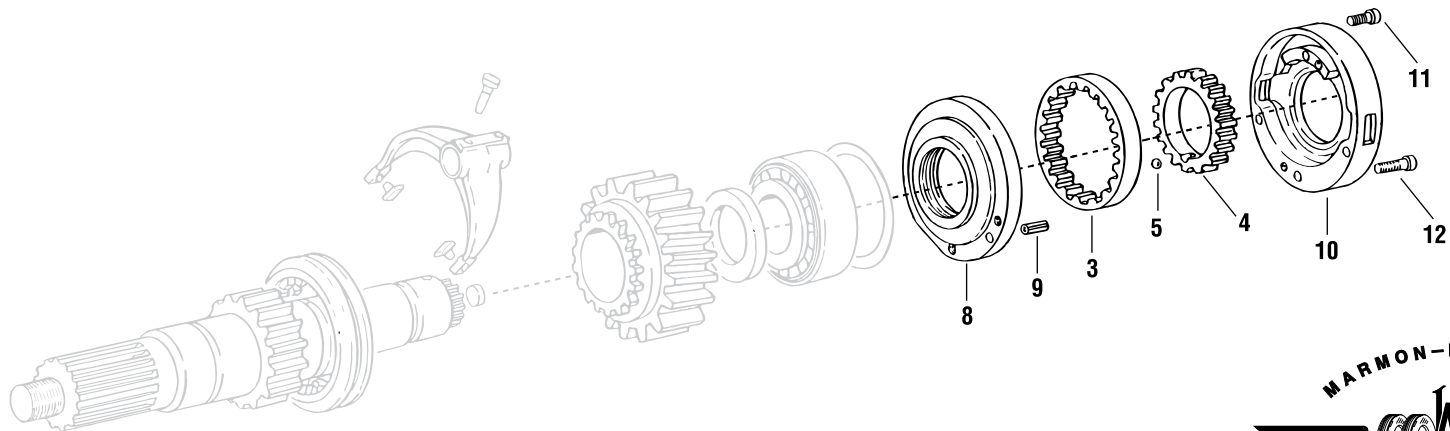
ITEM NO.	MH PART NO.	DESCRIPTION	QTY. REQ.	ITEM NO.	MH PART NO.	DESCRIPTION	QTY. REQ.
1	MVG12-1050	Input Shaft (MVG 1200/R Only)	1	29	MVG12-1077	Bearing Rear Output	1
	MVG12-1140	Input Shaft (MVG 1200N Only)	1	30	MVG12-1078	Drive Gear Speedo	1
2	MVG12-1019	Core Plug (MVG 1200/R Only)	1	31	MVG12-1079	Thrust Washer	1
	MVG12-1141	Core Plug (MVG 1200N Only)	1	32	MVG12-1080	Oil Seal Rear Output	11
3	MVG12-1051	Oil Seal Front Input	1	33	MVG12-1081	Shifting Sleeve	1
4	MVG12-1052	Flange 8 Hole (1710)	1	34	MVG12-1082	Front Output Shaft (MVG 1200 Only)	1
	MVG12-1053	Flange 12 Hole (1760/1810)	1		MVG12-1172	Front Output Shaft (MVG 1200N Only)	1
5	MVG12-1054	Shim 7.0mm	1	35	MVG12-1083	Snap Ring	1
6	MVG12-1055	Bearing Front Input	1	36	MVG12-1084	Bearing Output Shaft	1
7	MVG12-1056	Spacer	1	37	MVG12-1085	Oil Seal Front Output	1
8	MVG12-1057	Collar Nut M50	2	38	MVG12-1086	Companion Flange (MVG 1200/R Only)	1
9	MVG12-1058	Collar Nut M55	1		MVG12-1171	Companion Flange (MVG 1200N Only)	1
11	MVG12-1059	Gear High Range	1	41	MVG12-1087	Flange Rear Output 8 Hole (1710)	1
12	MVG12-1060	Shifting Sleeve	1		MVG12-1088	Flange Rear Output 12 Hole (1760/1810)	1
13	MVG12-1061	Gear Low Range 1.75	1	42	MVG12-1089	Bearing	1
	MVG12-1164	Gear Low Range 1.91	1	43	MVG12-1090	Washer	1
14	MVG12-1062	Thrust Washer	1	44	MVG12-1091A	Shim .10mm	AR
15	MVG12-1063	Bearing Rear Input	1		MVG12-1091B	Shim .20mm	AR
16	MVG12-1064A	Shim .10mm	AR		MVG12-1091C	Shim .40mm	AR
	MVG12-1064B	Shim .20mm	AR	45	MVG12-1092A	Shim .10mm	AR
	MVG12-1064C	Shim .40mm	AR		MVG12-1092B	Shim .20mm	AR
17	MVG12-1065	M6x16 Screw	4		MVG12-1092C	Shim .50mm	AR
18	MVG12-1066	Oil Pump Cover	1				
19	MVG12-1067	Oil Pump Rim Gear	1				
20	MVG12-1068	Oil Pump Gear	1				
21	MVG12-1069	Ball 6.0mm	1				
22	MVG12-1070	Ball 4.5mm	1			AR = As Required	
23	MVG12-1071	Oil Pump Housing	1				
24	MVG12-1072	Idler Gear 1.75	1				
	MVG12-1165	Idler Gear 1.91	1				
25	MVG12-1073	Bearing Idler Front	1				
26	MVG12-1074	Bearing Idler Rear	1				
27	MVG12-1075	Output Shaft (MVG 1200/N Only)	1				

OIL PUMP MVG 1200/R/N

MVG 1200/R ONLY



MVG 1200N ONLY



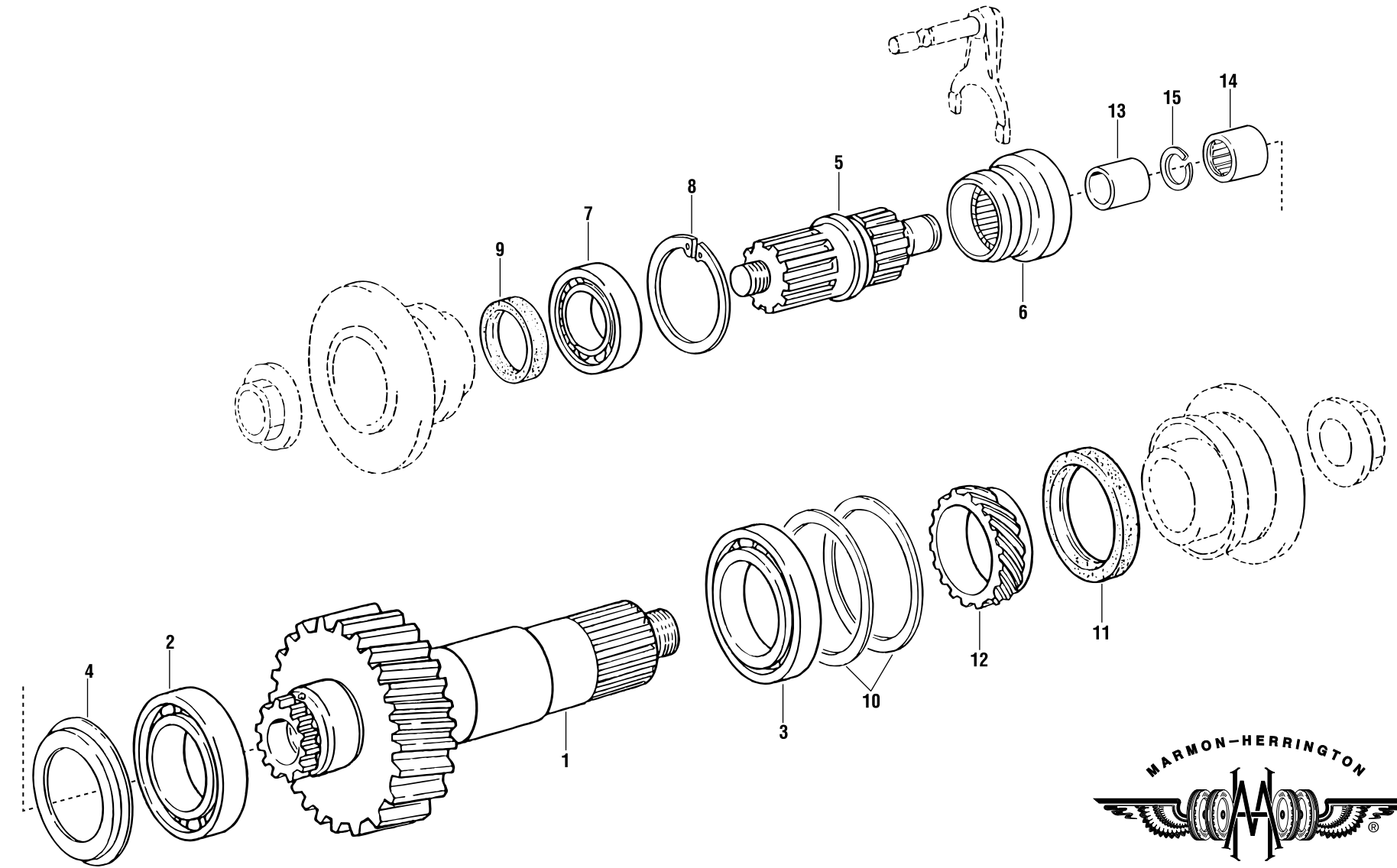
ITEM NO.	MH PART NO.	DESCRIPTION	QTY. REQ.	ITEM NO.	MH PART NO.	DESCRIPTION	QTY. REQ.
1	MVG12-1065	M6x16 Screw (MVG 1200/R Only)	4				
2	MVG12-1066	Oil Pump Cover (MVG 1200/R Only)	1				
3	MVG12-1067	Oil Pump Rim Gear	1				
4	MVG12-1068	Oil Pump Gear	1				
5	MVG12-1069	Ball 6.0mm	1				
6	MVG12-1070	Ball 4.5mm (MVG 1200/R Only)	1				
7	MVG12-1071	Oil Pump Housing (MVG 1200/R Only)	1				
8	MVG75-1034	Oil Pump Cover (MVG 1200N Only)	1				
9	MVG75-1033	Spring Pin (MVG 1200N Only)	1				
10	MVG12-1139	Oil Pump Housing (MVG 1200N Only)	1				
11	11503857	M6x30 Screw (MVG 1200N Only)	2				
12	11503858	M6x35 Screw (MVG 1200N Only)	2				

MARMON-HERRINGTON ALL-WHEEL DRIVE
 13001 Magisterial Drive • Louisville, KY 40223
 (502) 253-0277 • (800) 227-0727 • Fax (502) 253-0317
 E-mail: info@marmon-herrington.com

OIL PUMP
MVG 1200/R/N



OUTPUT SHAFT MVG 1200R

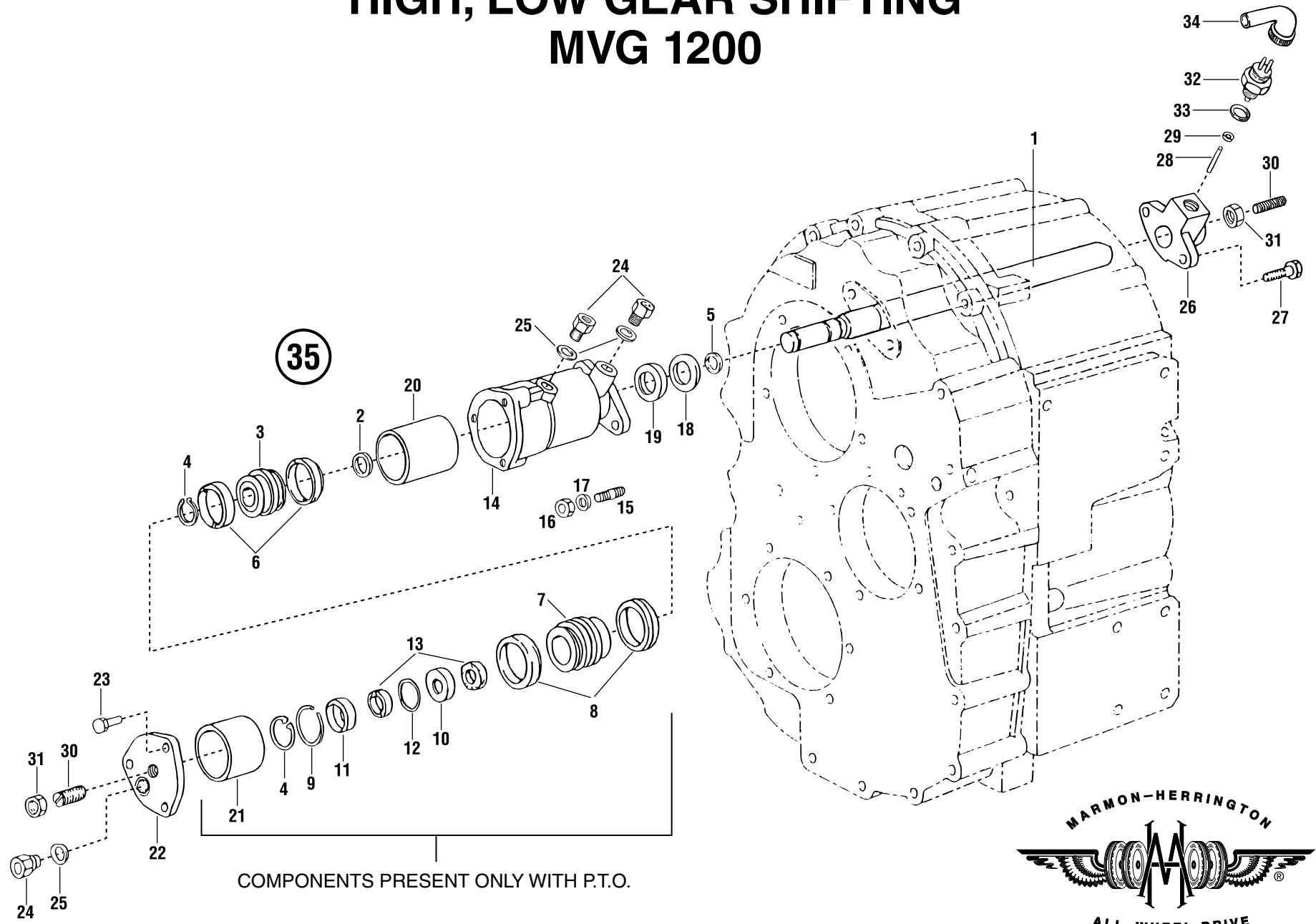


ITEM NO.	MH PART NO.	DESCRIPTION	QTY. REQ.	ITEM NO.	MH PART NO.	DESCRIPTION	QTY. REQ.
1	MVG12-1166	Output Shaft (MVG 1200R Only)	1				
2	MVG12-1089	Bearing	1				
3	MVG12-1077	Bearing Rear Output	1				
4	MVG12-1090	Washer	1				
5	MVG12-1167	Front Output Shaft (MVG 1200R Only)	1				
6	MVG12-1081	Shifting Sleeve	1				
7	MVG12-1084	Bearing Output Shaft	1				
8	MVG12-1083	Snap Ring	1				
9	MVG12-1085	Oil Seal Front Output	1				
10	MVG12-1091A	Shim .10mm	AR				
	MVG12-1091B	Shim .20mm	AR				
	MVG12-1091C	Shim .40mm	AR				
11	MVG12-1080	Oil Seal Rear Output	1				
12	MVG12-1078	Drive Gear Speedo	1				
13	MVG12-1168	Inside Ring (MVG 1200R Only)	1				
14	MVG12-1169	Needle Bearing (MVG 1200R Only)	1				
15	MVG12-1170	Retaining Ring (MVG 1200R Only)	1				
		AR = As Required					

**OUTPUT SHAFT
 MVG 1200R**

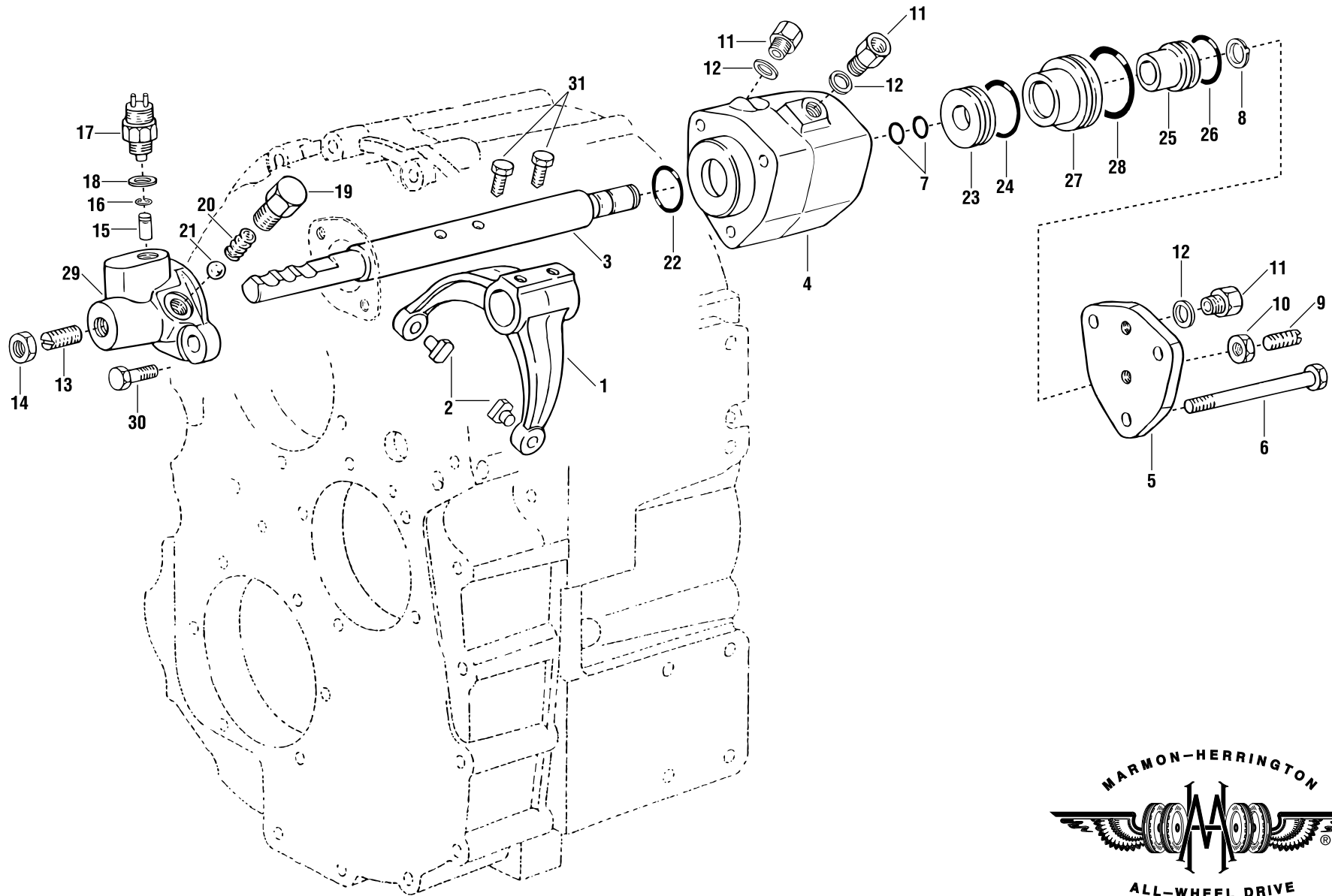


HIGH, LOW GEAR SHIFTING MVG 1200



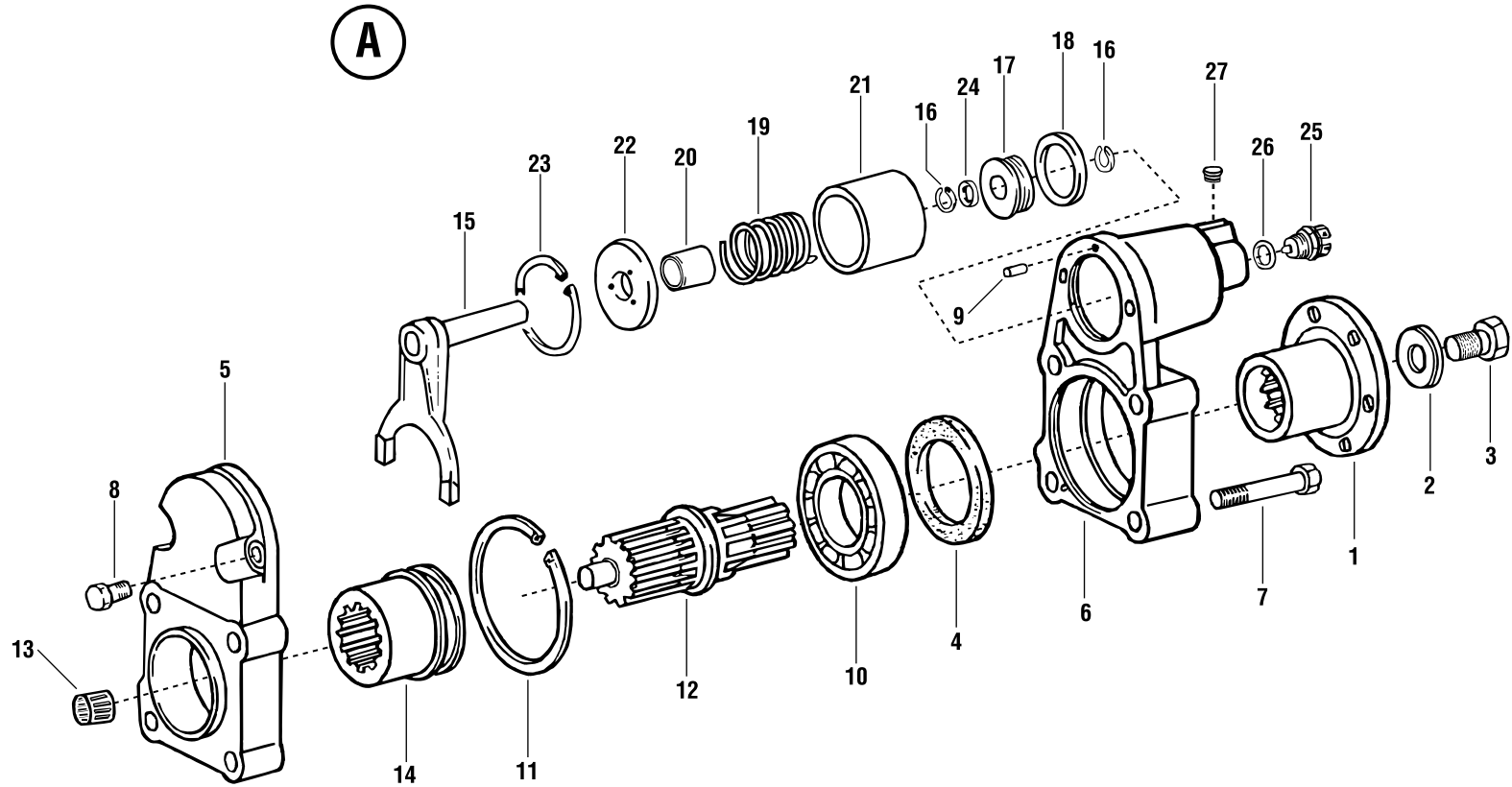
ITEM NO.	MH PART NO.	DESCRIPTION	QTY. REQ.	ITEM NO.	MH PART NO.	DESCRIPTION	QTY. REQ.
1	MVG12-1101	Shifting Rod	1	22	MVG12-1120	Cover Shift Cylinder	1
2	MVG12-1102	Washer	1	23	11500715	M8x25 Hex Bolt	3
3	MVG12-1103	Piston	1	24	MVG12-1121	Air Fitting	3
4	MVG12-1001	Snap Ring	2	25	MVG12-1122	Gasket	3
5	MVG12-1036	Sealing Ring	1	26	MVG12-1123	End Cap Housing	1
6	MVG12-1038	Sealing Cup	2	27	11500778	M10x25 Hex Bolt	2
7	MVG12-1107	Piston	1	28	MVG12-1124	Pin	1
8	MVG12-1108	Sealing Cup	2	29	MVG12-1125	Snap Ring	1
9	MVG12-1109	Snap Ring	1	30	MVG12-1126	Stud	2
10	MVG12-1110	Sealing Element	1	31	MVG75-1103	M12x1.5 Hex Nut	2
11	MVG12-1111	Sealing Element	1	32	MVG12-1041	Pressure Switch	1
12	MVG12-1112	Sealing Ring	1	33	MVG12-1040	Gasket	1
13	MVG12-1113	Sealing Cup	2	34	MT75-7750	Connector	1
14	MVG12-1114	Cylinder Housing	1	35	MVG12-1132	Air Cylinder Seal Kit	1
15	MVG12-1115	M10x25 Stud	2				
16	11500956	M10 Hex Nut	2				
17	11500192	M10 Lockwasher	2				
18	MVG12-1116	Gasket	1				
19	MVG12-1117	Sealing Cup	1				
20	MVG12-1118	Bushing Sleeve Inner	1				
21	MVG12-1119	Bushing Sleeve Outer	1				

HIGH, LOW GEAR SHIFTING MVG 1200N



ITEM NO.	MH PART NO.	DESCRIPTION	QTY. REQ.	ITEM NO.	MH PART NO.	DESCRIPTION	QTY. REQ.
1	MVG75-1085	Shifting Fork	1				
2	MVG12-1095	Slider	2				
3	MVG12-1044	Shifting Rod	1				
4	MVG12-1045	Cylinder Housing	1				
5	MVG75-1090	Cover	1				
6	11500900	M12x115-1.75 Hex Head Bolt	3				
7	MVG12-1036	Sealing Ring	2				
8	MVG12-1001	Snap Ring	1				
9	MVG12-1126	Stud	1				
10	MVG75-1103	M12x1.5 Hex Nut	1				
11	MVG12-1121	Air Fitting	3				
12	MVG12-1122	Gasket	3				
13	MVG12-1126	Threaded Pin	1				
14	MVG75-1103	M12x1.5 Hex Nut	1				
	11501073	M12x1.5 Hex Nut	1				
15	MVG12-1124	Pin	1				
16	MVG12-1125	Snap Ring	1				
17	MVG75-1127	Pressure Switch	1				
18	MVG12-1040	Gasket	1				
19	MVG75-1099	Locking Ball	1				
20	MVG75-1100	Snap Spring	1				
21	MVG75-1101	Ball	1				
22	MVG12-1046	O-Ring	1				
23	MVG75-1095	Piston	1				
24	MVG75-1093	O-Ring	1				
25	MVG12-1047	Piston	1				
26	MVG12-1048	O-Ring	1				
27	MVG75-1130	Piston	1				
28	MVG75-1131	O-Ring	1				
29	MVG12-1049	Housing	1				
30	11500724	M10x30 Hex Head Bolt	2				
31	MVG75-1086	Screw	2				

POWER TAKE OFF MVG 1200/R/N



ITEM NO.	MH PART NO.	DESCRIPTION	QTY. REQ.	ITEM NO.	MH PART NO.	DESCRIPTION	QTY. REQ.
A	MT75-7749	P.T.O. Assembly					
1	MVG12-1153	Flange, 1410	1				
2	MVG12-1163	Washer	1				
3	11500731	M12x35 Bolt	1				
4	MVG12-1152	Oil Seal	1				
5	MVG12-1151	Housing, Front	1				
6	MVG12-1150	Housing, Rear	1				
7	11500796	M12x100 Bolt	4				
8	11500713	M8x20 Bolt	2				
9	MVG12-1154	Pin	2				
10	MVG12-1155	Bearing, Shaft	1				
11	MVG12-1156	Snap Ring	1				
12	MVG12-1157	Output Shaft	1				
13	MVG12-1158	Needle Bearing, Caged	1				
14	MVG12-1159	Shifting Sleeve	1				
15	MVG12-1160	Shifting Fork	1				
16	MVG12-1001	Snap Ring	2				
17	MVG12-1037	Piston	1				
18	MVG12-1038	Gasket	1				
19	MVG12-1033	Spring	1				
20	MVG12-1032	Distance Sleeve	1				
21	MVG12-1034	Bushing	1				
22	MVG12-1031	Washer	1				
23	MVG12-1161	Snap Ring	1				
24	MVG12-1036	O-Ring	1				
25	MVG75-1127	Pressure Switch	1				
26	MVG12-1040	Gasket	1				
27	MVG12-1162	Plug	1				



13001 Magisterial Drive • Louisville, KY 40223
(502) 253-0277 • (800) 227-0727 • Fax (502) 253-0317
E-mail: info@marmon-herrington.com