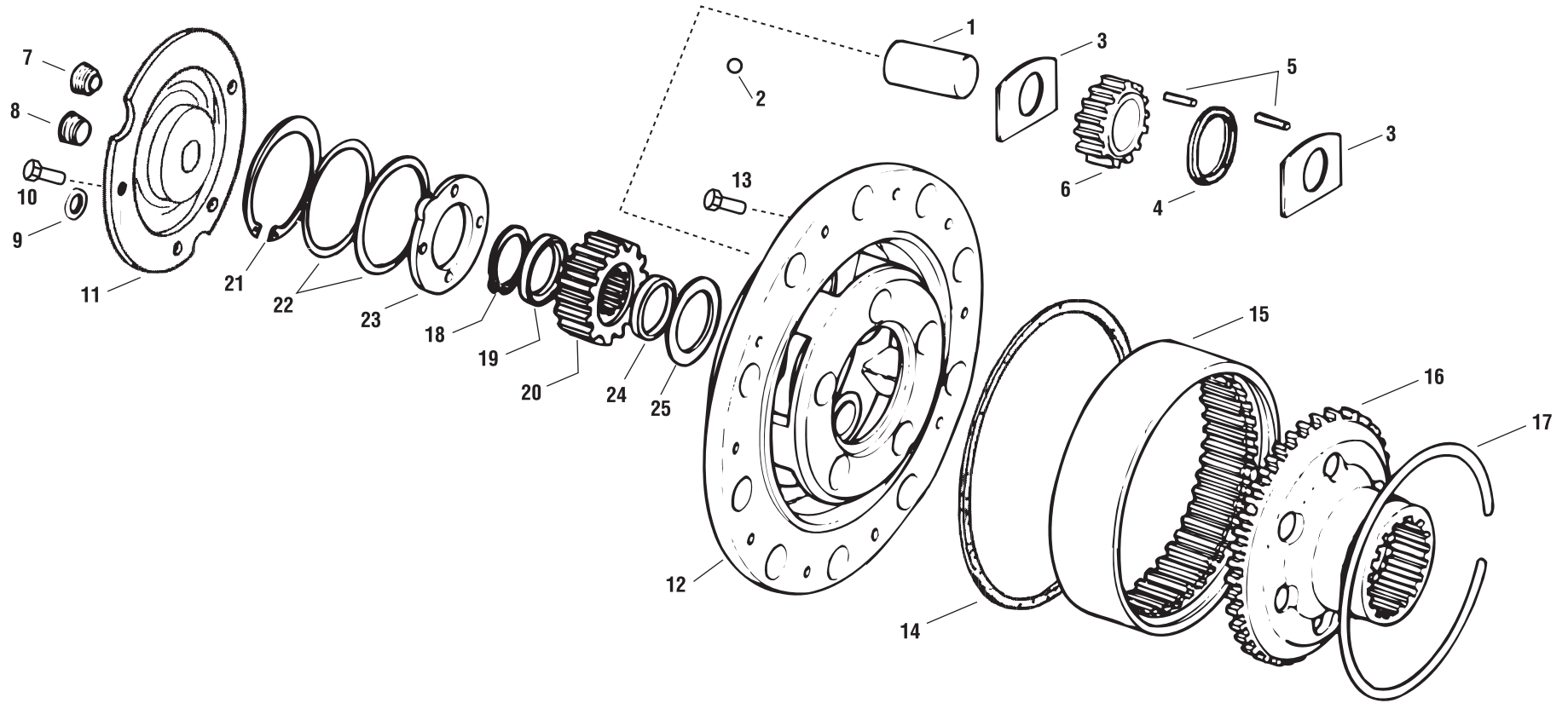


# PLANETARY MT25H



Marmon-Herrington

