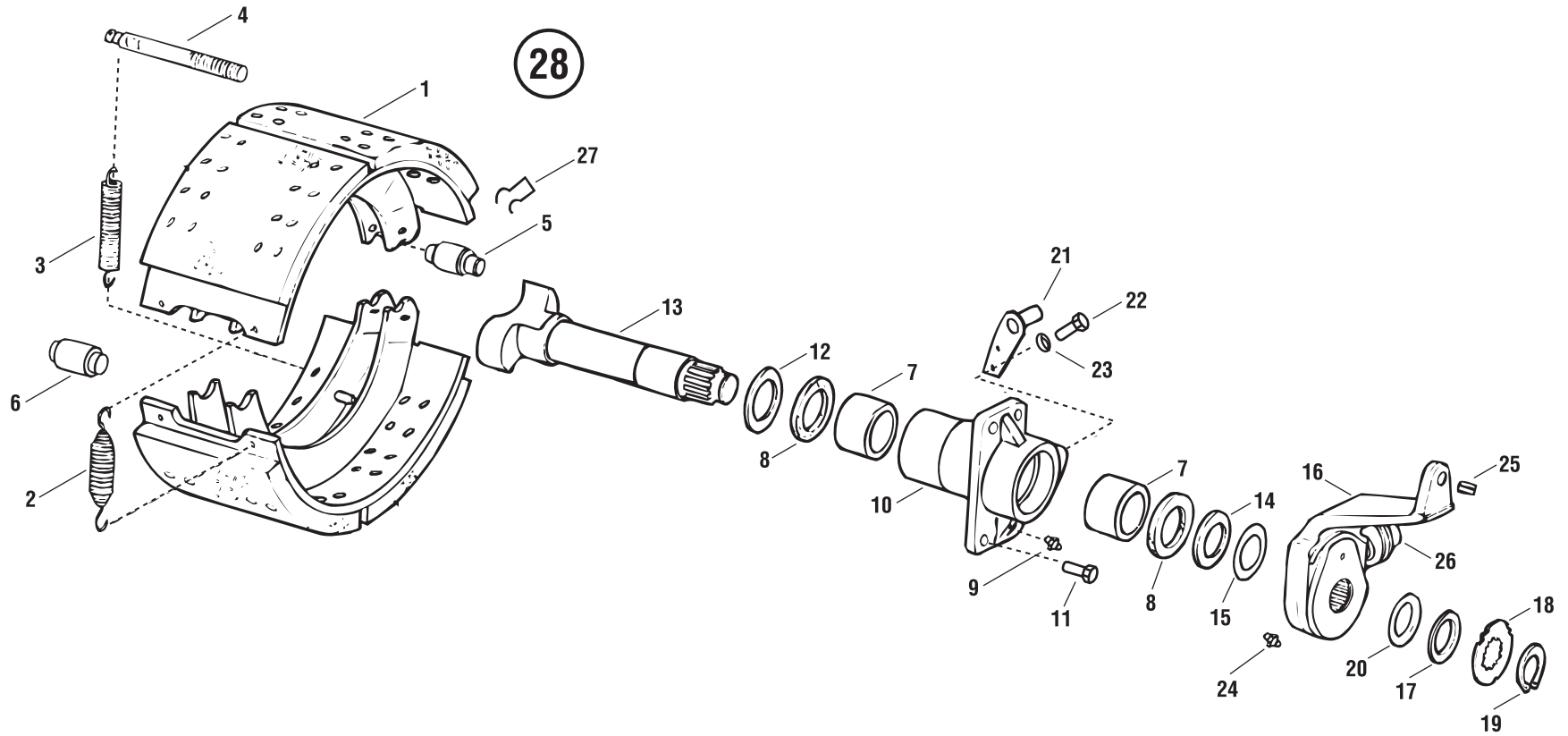


# BRAKE MT22/R/N/H



Marmon-Herrington

