



PARTS MANUAL
FOR
MT14N/H SERIES

MARMON-HERRINGTON ALL-WHEEL DRIVE

13001 Magisterial Drive • Louisville, KY 40223
(502) 253-0277 • (800) 227-0727 • Fax (502) 253-0317
E-mail: info@marmon-herrington.com

TABLE OF CONTENTS

REPLACEMENT PARTS & WARRANTY CLAIM PROCEDURE	3
DIFFERENTIAL CARRIER HOUSING MT14N/H	4-5
DIFFERENTIAL MT14N/H	6-7
AXLE HOUSING MT14N/H	8-9
AXLE SHAFT ASSEMBLY MT14N/H	10-11
PLANETARY MT14N/H	12-13
WHEEL HUB, BRAKE DRUM MT14N/H	14-15
BRAKE MT14N/H	16-17
TIE-ROD MT14N/H	18-19



MARMON-HERRINGTON ALL-WHEEL DRIVE
13001 Magisterial Drive • Louisville, KY 40223
(502) 253-0277 • (800) 227-0727 • Fax (502) 253-0317
E-mail: info@marmon-herrington.com

REPLACEMENT PARTS

When ordering replacement parts for **MARMON-HERRINGTON LOW FLOOR** conversions, the following information should be given:

1. **FACTORY ORDER NUMBER** (found on I.D. Plate or small plate affixed to axle housing). This will be a six (6) digit number. (See illustrations this page.)
2. Component for which parts are required, i.e. front drive axle or transfer case/drop box.
3. Model of axle and/or transfer case/drop box, i.e. MT10, MVG 750, MDB500.
4. Give quantity and part number required.
NOTE: Drivelines, shift linkage, etc., can be found on the computer printout of Bill of Material, which is included in the Service Manual.
5. Give complete billing and shipping address.

WARRANTY CLAIM PROCEDURE

Before proceeding with repairs or ordering parts that you feel may be covered under warranty, you must first contact Marmon-Herrington Customer Service Department and obtain a Repair Authorization Number.


Please be prepared to supply all of the following information:

- **Factory Order Number** – This is located on an ID plate fixed to either the driver’s door panel or the component (axle or transfer case) itself.
- **Model and Serial Number** (required) – Again located on the ID plate fixed to either the driver’s door panel or the component itself.
- **Vehicle Year, Make and Model**
- **Vehicle Identification Number**
- **Mileage**
- **In Service Date**

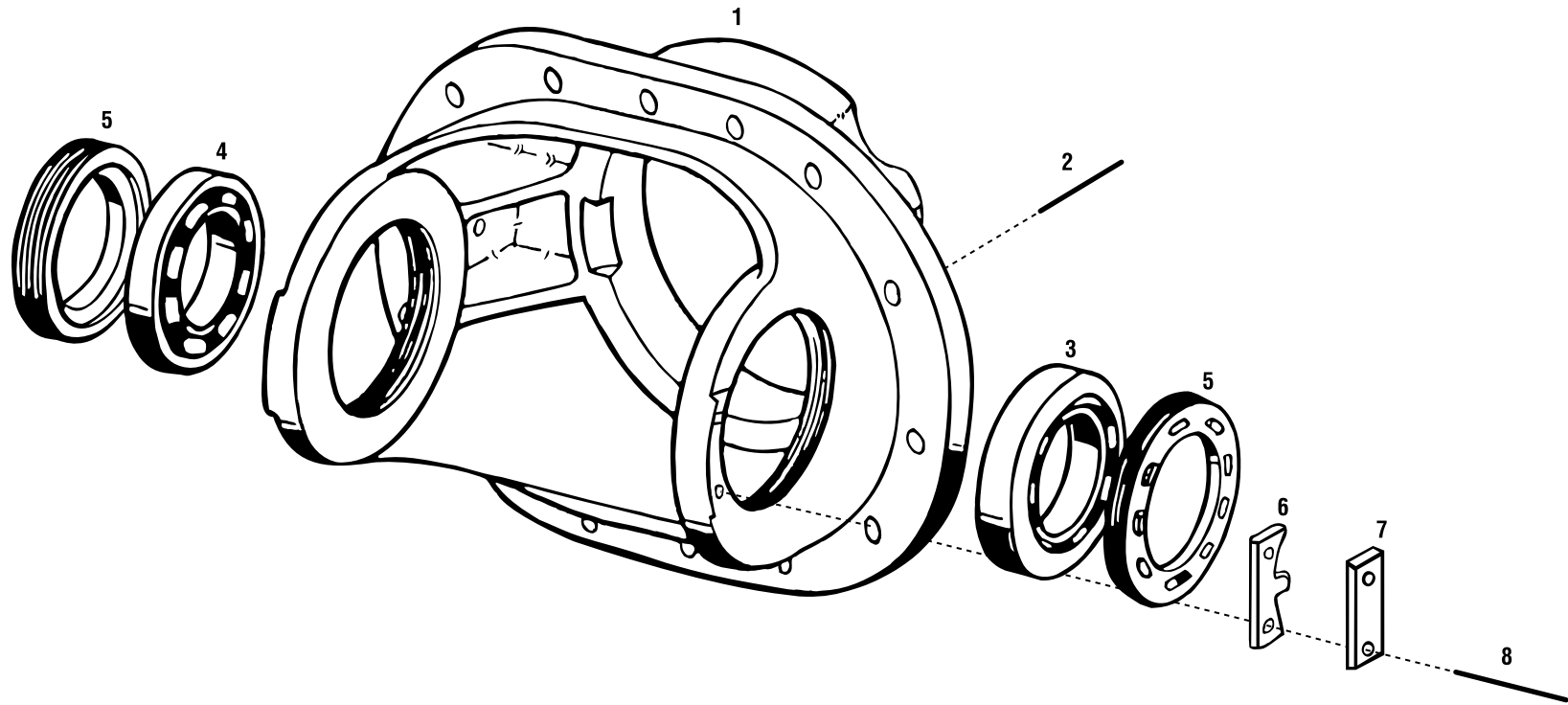
The information necessary for replacement parts and/or warranty claim procedures will be found on either plate design.

MARMON-HERRINGTON			
SALES ORDER	0000-00	RATIO	
S/N		TYPE	
CUST P/N			

MARMON-HERRINGTON			
SALES ORDER	0000-00		
S/N		TYPE	
CUST P/N			
COVERED BY ONE OR MORE OF THE FOLLOWING PATENTS: U.S. PATENTS 4,878,691; 4,934,733; 5,016,912; 5,275,430; 5,839,750; AND 6,398,251; AND CA PATENT 1,316,185. OTHER U.S. AND FOREIGN PATENTS PENDING.			

	
ALL-WHEEL DRIVE LOUISVILLE, KENTUCKY U.S.A.	
FACTORY ORDER NO.	0000-00
INSTALLED BY	
FRONT DRIVING AXLE	
MODEL	
CAPACITY	
SERIAL NO.	
RATIO	
TRANSFER CASE	
MODEL	
SERIAL NO.	

DIFFERENTIAL CARRIER HOUSING MT14N/H

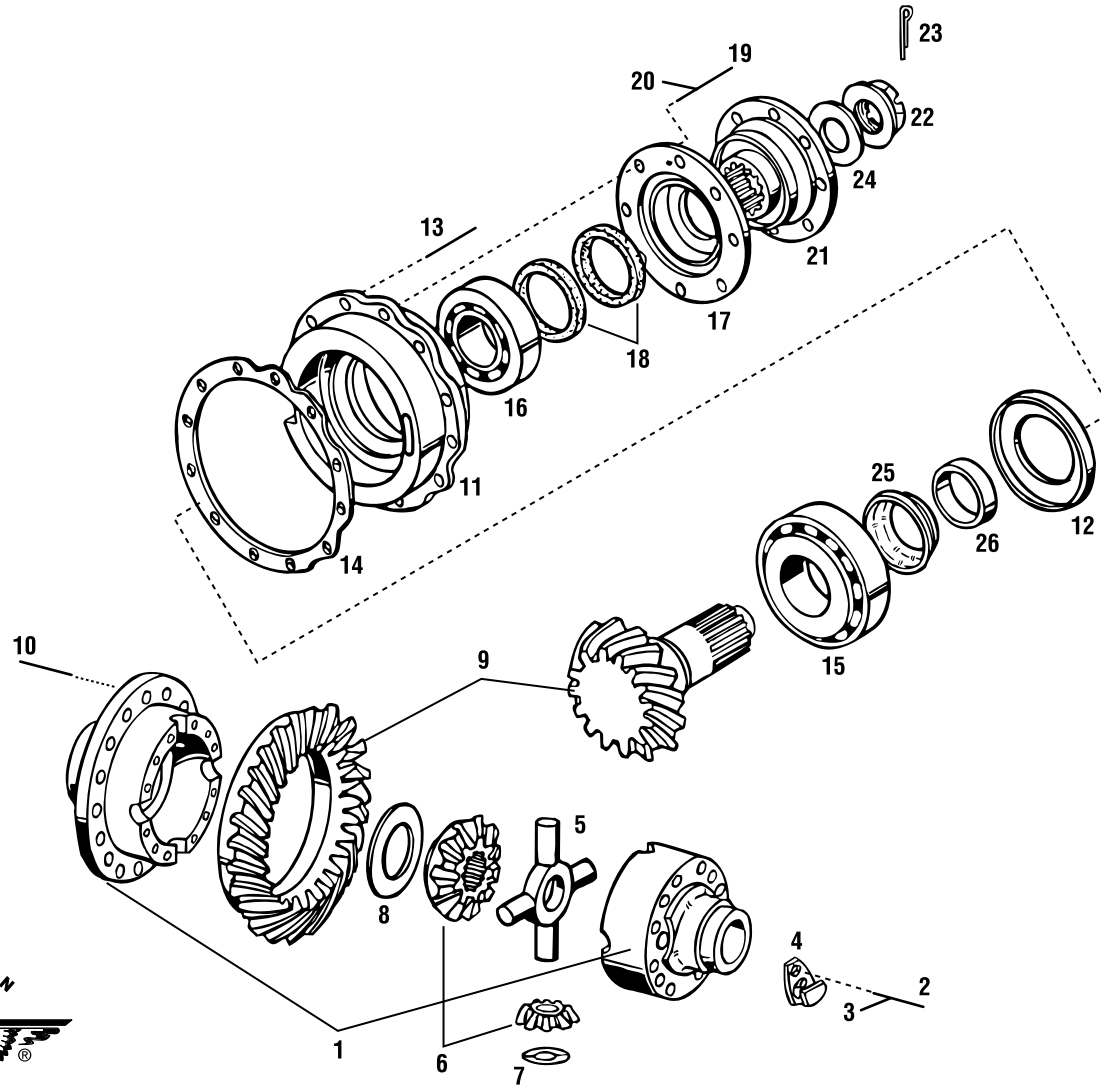


ITEM NO.	MH PART NO.	DESCRIPTION	QTY. REQ.	ITEM NO.	MH PART NO.	DESCRIPTION	QTY. REQ.
1	MT22-1076	Differential Carrier Housing Assy.	1				
2	MT22-1077	Flanged Bolt, Special	14				
3	MT22-1078	Differential Side Bearing Assy.	1				
4	MT22-1212	Differential Side Bearing Assy.	1				
5	MT22-1079	Bearing Adjuster	2				
6	MT22-1080	Lock Plate	2				
7	MT22-1081	Lock Plate	2				
8	11500773	Hex Bolt, M8x15-10.9	4				

DIFFERENTIAL CARRIER HOUSING
MT14N/H



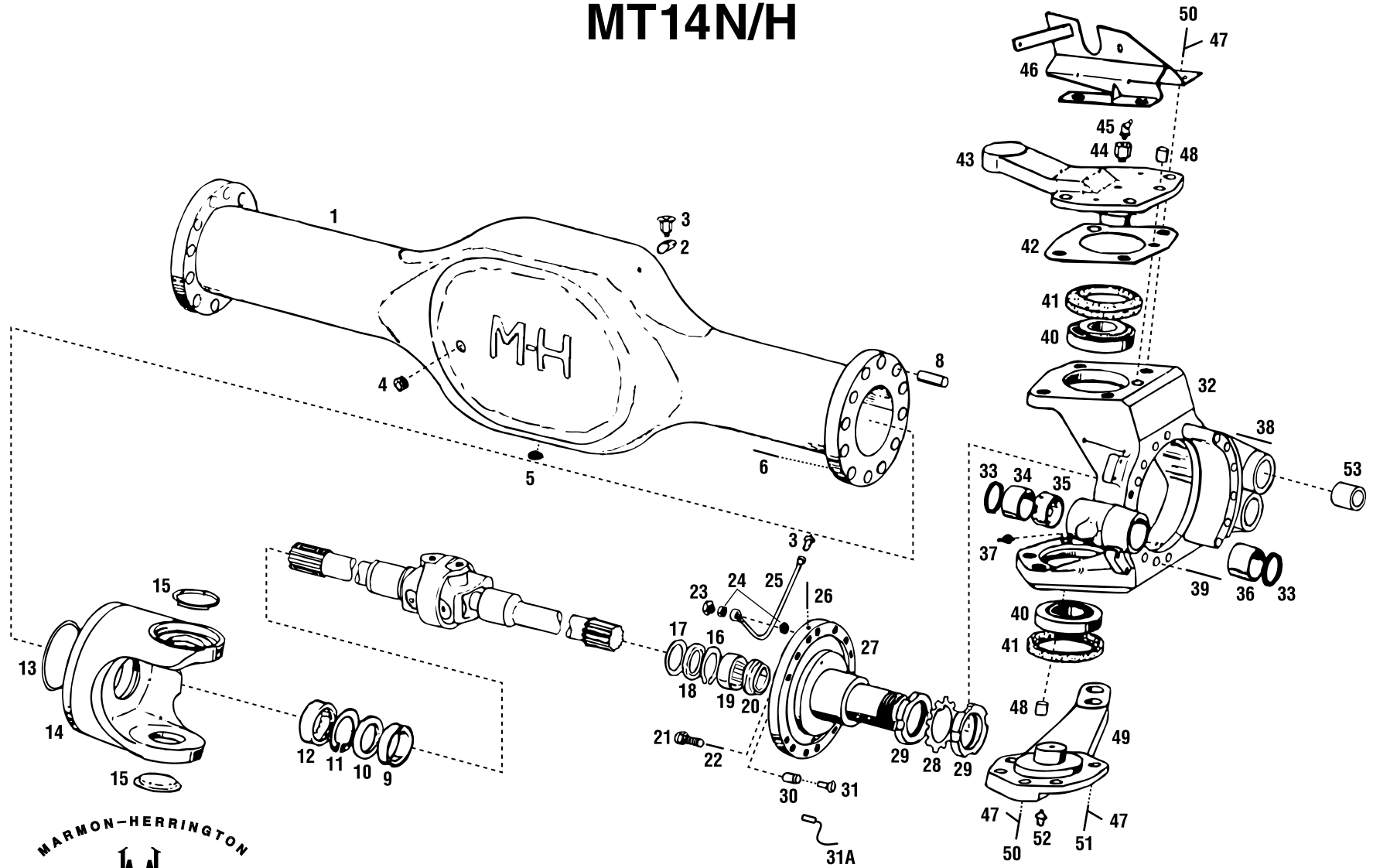
DIFFERENTIAL MT14N/H



COMPLETE CARRIER ASSEMBLY				ITEM NO.	MH PART NO.	DESCRIPTION	QTY. REQ.	
CARRIER P/N	PINION & RING GEAR RATIO	FINAL RATIO	DIFFERENTIAL CASE	10	MT22-1250	Flanged S/L Ring Gear Bolt	16	
MT22-1001	1.227	4.25	MT22-1051	11	MT22-1068	Bearing Cage Assy.	1	
MT22-1002	1.318	4.56	MT22-1051	12	MT14-1078	Oil Baffle Plate	1	
MT22-1003	1.422	4.92	MT22-1052	13	MT22-1077	Flanged Bolt, Special	12	
MT22-1004	1.526	5.29	MT22-1052	14	MT22-1067A	Shim, 1.0 MM	AR	
MT22-1010	1.553	5.38	MT22-1052		MT22-1067B	Shim, .50 MM	AR	
MT22-1005	1.632	5.65	MT22-1052		MT22-1067C	Shim, .30 MM	AR	
MT22-1014	1.684	5.83	MT22-1052		MT22-1067D	Shim, .25 MM	AR	
MT22-1013	1.765	6.11	MT22-1052		MT22-1067E	Shim, .20 MM	AR	
MT22-1006	1.812	6.27	MT22-1052		15	MT14-1075	Pinion Bearing, Inner	1
MT22-1007	1.929	6.68	MT22-1052		16	MT14-1079	Pinion Bearing, Outer	1
MT22-1008	2.077	7.14	MT22-1445	17	MT22-1070	Cover	1	
MT22-1009	2.231	7.72	MT22-1445	18	MT22-1069	Oil Seal Kit, Pinion	1	
MT22-1011	2.415	8.36	MT22-1445		19	11500713	Hex Bolt, M8 X 22	8
MT22-1012	2.462	8.52	MT22-1445	20	11500191	Flat Lock Washer, M8	8	
ITEM NO.	MH PART NO.	DESCRIPTION	QTY. REQ.	21	MT17-1050	Companion Flange, 1610 Series	1	
1	MT22-1051	Diff. Case Halves, Assy. (4.25-4.56)	1		MT22-1073	Companion Flange, 1710 Series	1	
2	MT22-1052	Diff. Case Halves, Assy. (4.92-6.68)	1	22	MT22-1075	Pinion Lock Nut	1	
	MT22-1445	Diff. Case Halves, Assy. (7.14-8.52)	1		MT14-1082	Pinion Castle Nut	1	
	3	MT22-1066	Hex Bolt, Special	12	23	103422	Cotter Pin	1
4	MT22-1065	Washer, Special	2	24	MT22-1074	Washer, Special	1	
5	MT22-1064	Oil Baffle Plate	2	25	MT14-1076	Distance Sleeve	1	
6	MT22-1061	Differential Cross	1	26*	MT14-1077A	Bearing Distance Ring, 6.90 MM	AR	
7	MT22-1193	Nest Set	1		MT14-1077B	Bearing Distance Ring, 7.00 MM	AR	
8	MT22-1063	Washer, Differential Pinion Gear	4		MT14-1077C	Bearing Distance Ring, 7.02 MM	AR	
9	MT22-1059	Washer, Differential Side Gear	2		MT14-1077D	Bearing Distance Ring, 7.04 MM	AR	
	MT22-1054	Ring Gear and Pinion (1.227) 4.25	1		MT14-1077E	Bearing Distance Ring, 7.06 MM	AR	
	MT22-1053	Ring Gear and Pinion (1.318) 4.56	1		MT14-1077F	Bearing Distance Ring, 7.08 MM	AR	
	MT22-1056	Ring Gear and Pinion (1.422) 4.92	1		MT14-1077G	Bearing Distance Ring, 7.10 MM	AR	
	MT22-1057	Ring Gear and Pinion (1.526) 5.29	1		MT14-1077H	Bearing Distance Ring, 7.20 MM	AR	
	MT22-1043	Ring Gear and Pinion (1.553) 5.38	1		MT14-1077I	Bearing Distance Ring, 7.32 MM	AR	
	MT22-1055	Ring Gear and Pinion (1.632) 5.65	1		MT14-1077J	Bearing Distance Ring, 7.44 MM	AR	
	MT22-1047	Ring Gear and Pinion (1.684) 5.83	1		MT14-1077K	Bearing Distance Ring, 7.56 MM	AR	
	MT22-1046	Ring Gear and Pinion (1.765) 6.11	1		MT14-1077L	Bearing Distance Ring, 7.68 MM	AR	
	MT22-1058	Ring Gear and Pinion (1.812) 6.27	1		MT14-1077M	Bearing Distance Ring, 7.80 MM	AR	
	MT22-1040	Ring Gear and Pinion (1.929) 6.68	1		MT14-1077N	Bearing Distance Ring, 7.92 MM	AR	
	MT22-1041	Ring Gear and Pinion (2.077) 7.14	1					
	MT22-1042	Ring Gear and Pinion (2.231) 7.72	1					
	MT22-1044	Ring Gear and Pinion (2.415) 8.36	1					
MT22-1045	Ring Gear and Pinion (2.462) 8.52	1						

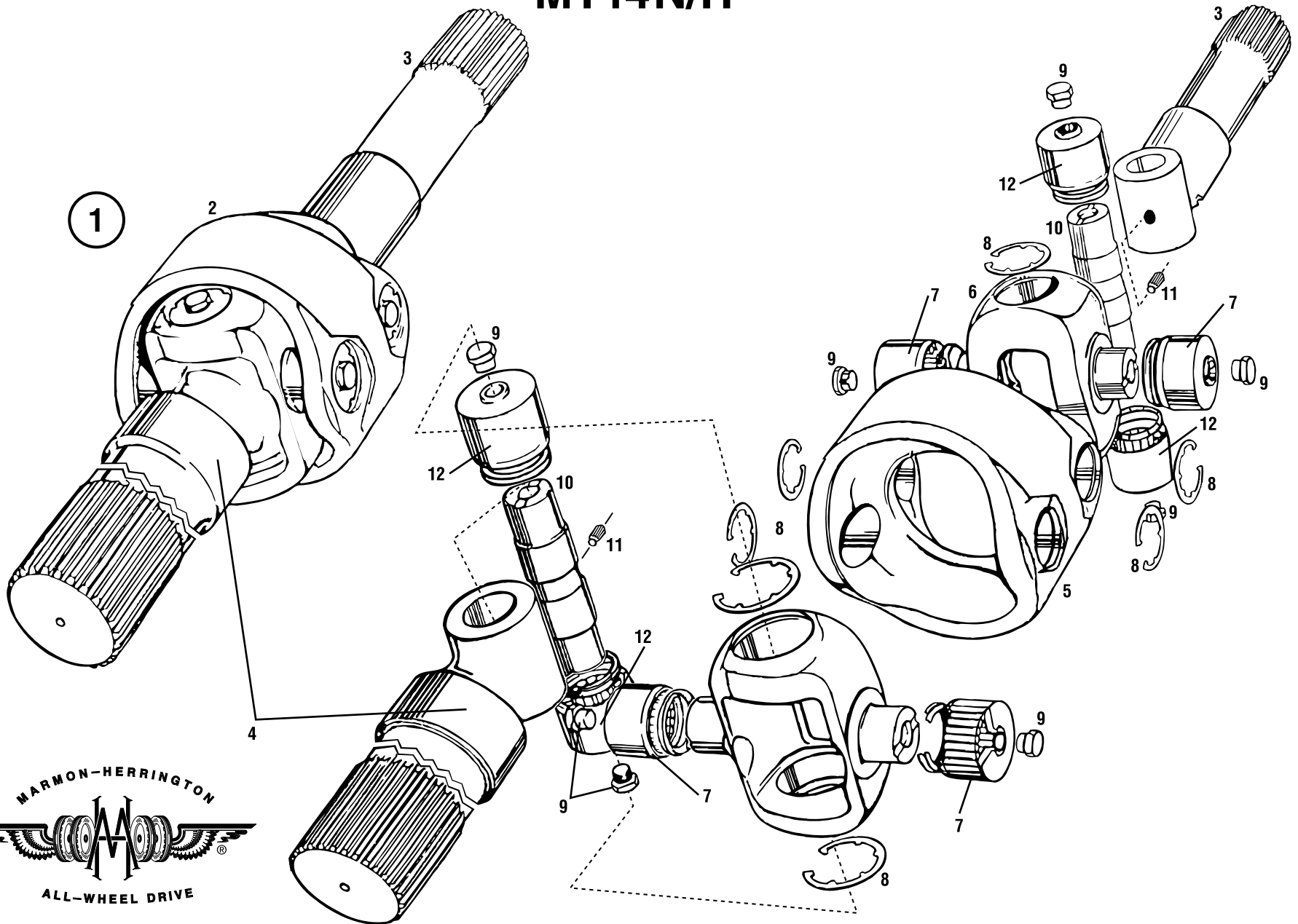
AR = As Required
***Note:** Choose 2 to produce proper bearing preload.

AXLE HOUSING MT14N/H



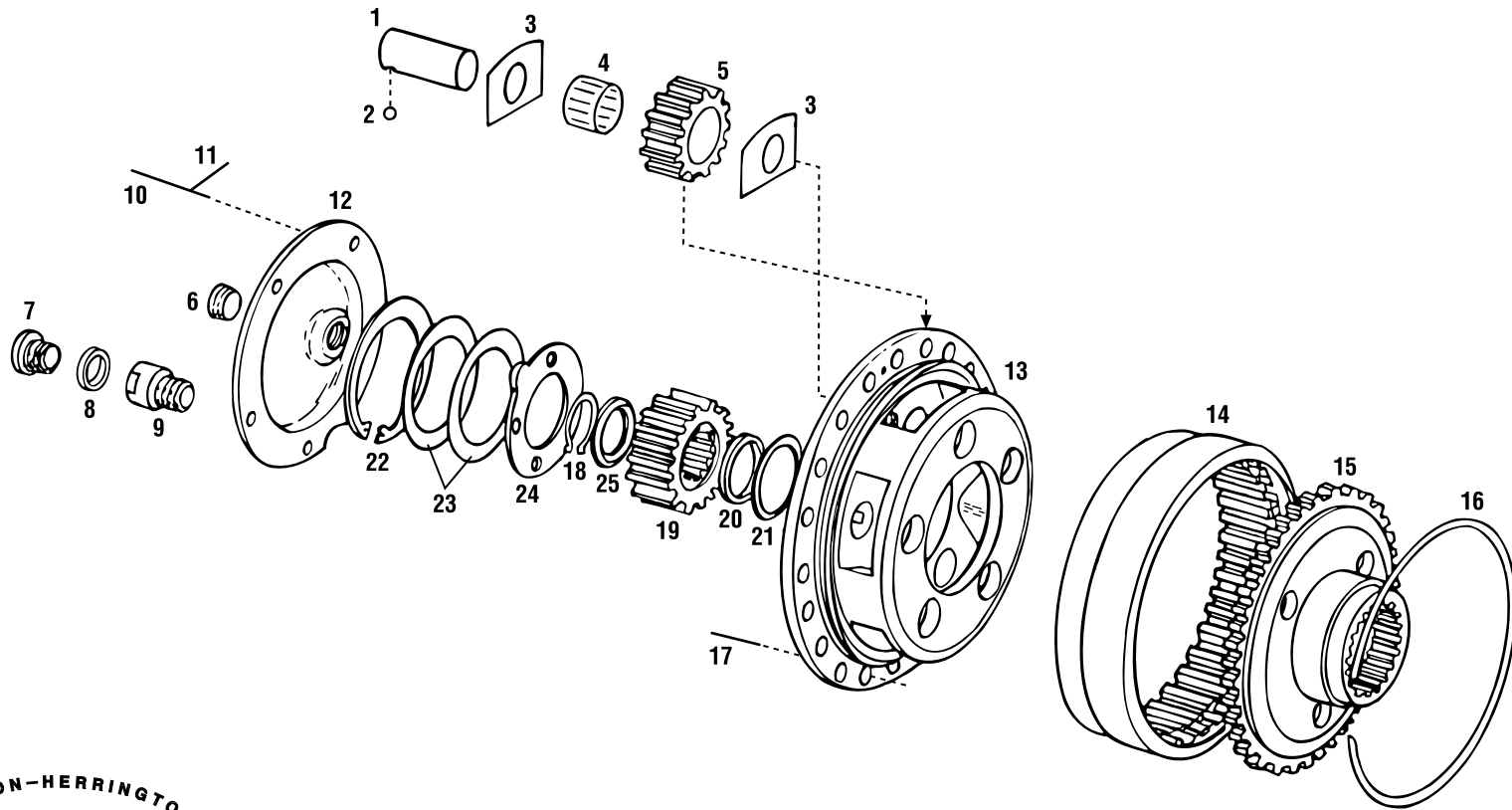
ITEM NO.	MH PART NO.	DESCRIPTION	QTY. REQ.	ITEM NO.	MH PART NO.	DESCRIPTION	QTY. REQ.
1	MT17R-1049	Axle Housing	1	31A	MT93-1282	ABS Sensor (Wabco)	2
2	MT22-1214	Threaded Extension	1		MT93-2035	ABS Sensor (Bendix)	2
3	MT14-1068	Vent	3		MT93-1283	ABS Sensor Spring Clip	2
4	MT14-1070	Fill Plug, Carrier	1	32	MT17-1110	Knuckle Hsg. Assy., L.H.	1
5	MT14-1071	Drain Plug, Carrier	1		MT17-1111	Knuckle Hsg. Assy., R.H. (Not Shown)	1
6	MT14-1072	Hex Bolt, M20x1.5x60	20	33	MT14-1109	Sealing Ring	4
8	MT14-1222	Dowel Pin	4	34	MT14-1110	Brake Spanner Bushing	2
		Oversize Dowel Pin, 021m6x50-6.6	4	35	MT14-1111	Distance Ring	2
9	MT10-1079	Oil Seal Support Assy.	2	36	MT14-1112	Brake Spanner Bushing	2
	MT10-1080	Felt Wiper	2	37	191758	Grease Fitting	4
10	MT22-1116	Oil Seal, Axle Shaft, Inner	2	38	MT17-1105	Hex Bolt, M14x1.5x102	12
11	MT22-1115	Snap Ring	2	39	MT17-1106	Hex Bolt, M14x1.5x55	16
12	MT22-1114	Bearing, Axle Shaft, Inner	2	40	MT14-1114	Trunnion Bearing Assy., 050/110x29.25	4
13	MT14-1088	Sealing Ring, Housing to Yoke, 119x5	2	41	MT14-1115	Gasket	4
14	MT17-1024	Yoke Housing, L.H.	1	42	MT14-1117A	Shim, Trunnion, 2.05 MM	AR
	MT17-1025	Yoke Housing, R.H. (Not Shown)	1		MT14-1117B	Shim, Trunnion, 2.00 MM	AR
15	MT14-1089	Lock Cap	4		MT14-1117C	Shim, Trunnion, 0.50 MM	AR
16	MT14-1090	Snap Ring	2		MT14-1117D	Shim, Trunnion, 0.30 MM	AR
17	MT10-1080	Felt Wiper	2		MT14-1117E	Shim, Trunnion, 0.20 MM	AR
18	MT14-1092	Oil Seal, Axle Shaft, Outer	2	43	MT17-1009	Steering Arm, L.H.	1
19	MT14-1093	Needle Roller Bearing, 50x65x22	2		MT17-1008	Cover for Right Steering Support Housing	1
20	MT14-1094	Distance Sleeve	2	44	MT14-1118	Extension, Fitting	2
21	MT14-1095	Turn Stop Bolt	2	45	271285	Grease Fitting	2
22	MT14-1096	Jam Nut	2	46	MT93-1737	Brake Chamber Brk., L.H.	1
23	MT14-1098	Hollow Screw	2		MT93-1738	Brake Chamber Brk., R.H. (Not Shown)	1
24	MT14-1099	Bushing	4	47	85T-23	Lockwire	AR
25	MT14-1100	Vent Tube	2	48	MT-14-1124	Dowel Pin, 20m6x20-10.9	4
26	MT14-1101	Screw	2	49	MT17-1022	Tie-Rod Arm, L.H.	1
27	MT17-1018	Spindle, L.H.	1		MT17-1023	Tie-Rod Arm, R.H.	1
	MT17-1019	Spindle, R.H. (Not Shown)	1	50	MT14-1125	Hex Bolt, M22x1.5x50	16
28	MT17-1133	Locking Plate	2	51	MT14-1126	Hex Bolt, M22x1.5x32	4
29	MT17-1132	Spindle Nut, M70x2	4	52	191758	Grease Fitting	2
30	MT17-1112	Bushing	2	53	MT22-1241	Bushing	4
31	MT17-1113	Anti-dust Plug	2			AR = As Required	

AXLE SHAFT ASSEMBLY MT14N/H



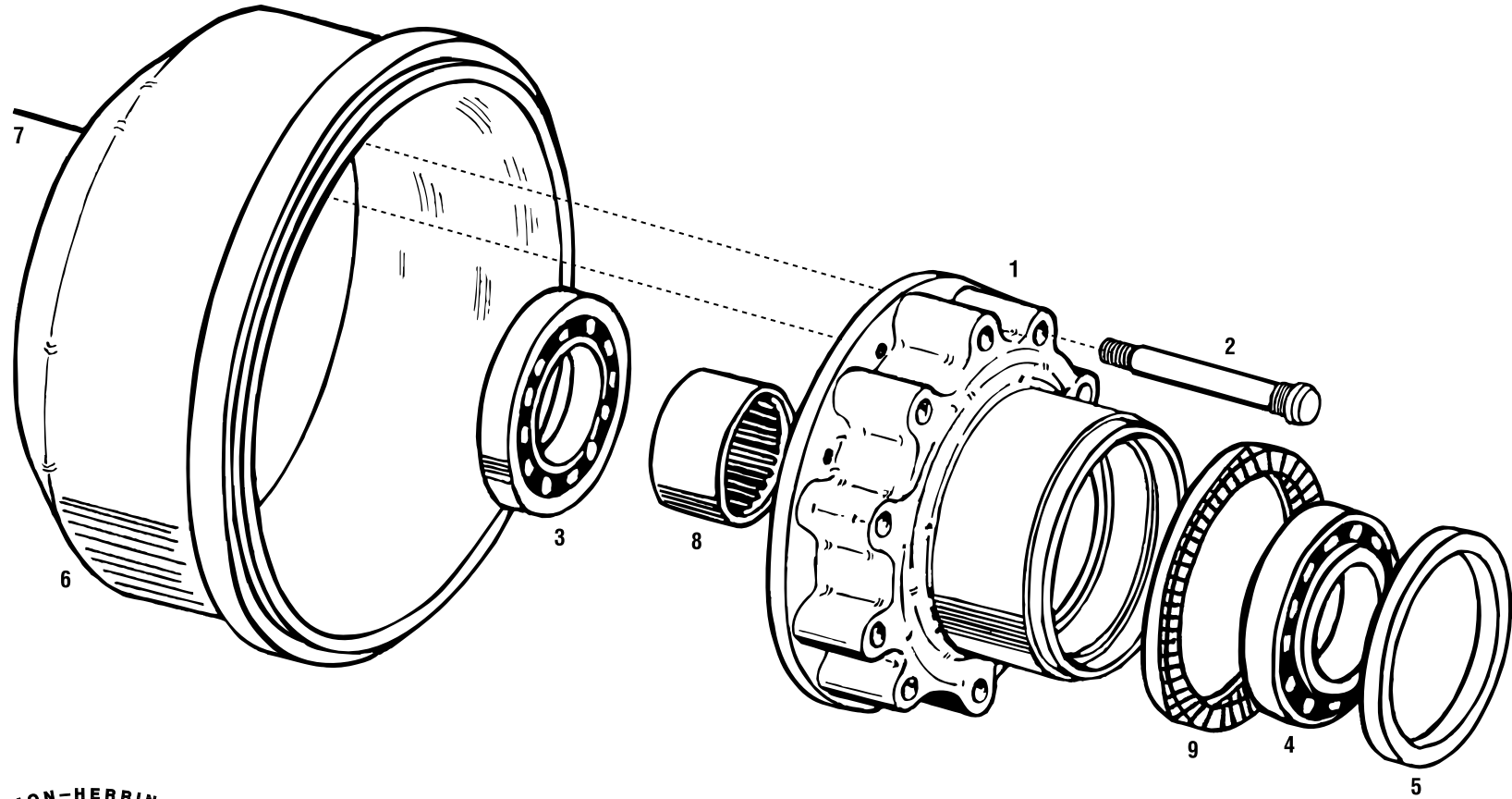
ITEM NO.	MH PART NO.	DESCRIPTION	QTY. REQ.	ITEM NO.	MH PART NO.	DESCRIPTION	QTY. REQ.
1	MT17-1151	Axle Shaft Assembly, L.H.	1				
	MT17-1152	Axle Shaft Assembly, R.H.	1				
2	MT22-1147	Double Joint Assembly	2				
3	MT17-1153	Outer Axle Shaft	2				
4	MT17-1154	Inner Axle Shaft, L.H., Short Shaft	1				
	MT17-1155	Inner Axle Shaft, R.H., Long Shaft	1				
5	MT22-1225	Joint Hub	2				
6	MT22-1226	Spider	NSS				
7	MT22-1227	Needle Roller Bushing Assembly	NSS				
8	MT22-1228	Lock Ring	16				
9	MT22-1229	Taper Screw Plug, M12x1.5	16				
10	MT22-1230	Joint Pin	4				
11	MT22-1231	Threaded Pin	4				
12	MT22-1232	Needle Roller Bushing Assembly	NSS				
		NSS = Not Sold Separately					

PLANETARY MT14N/H



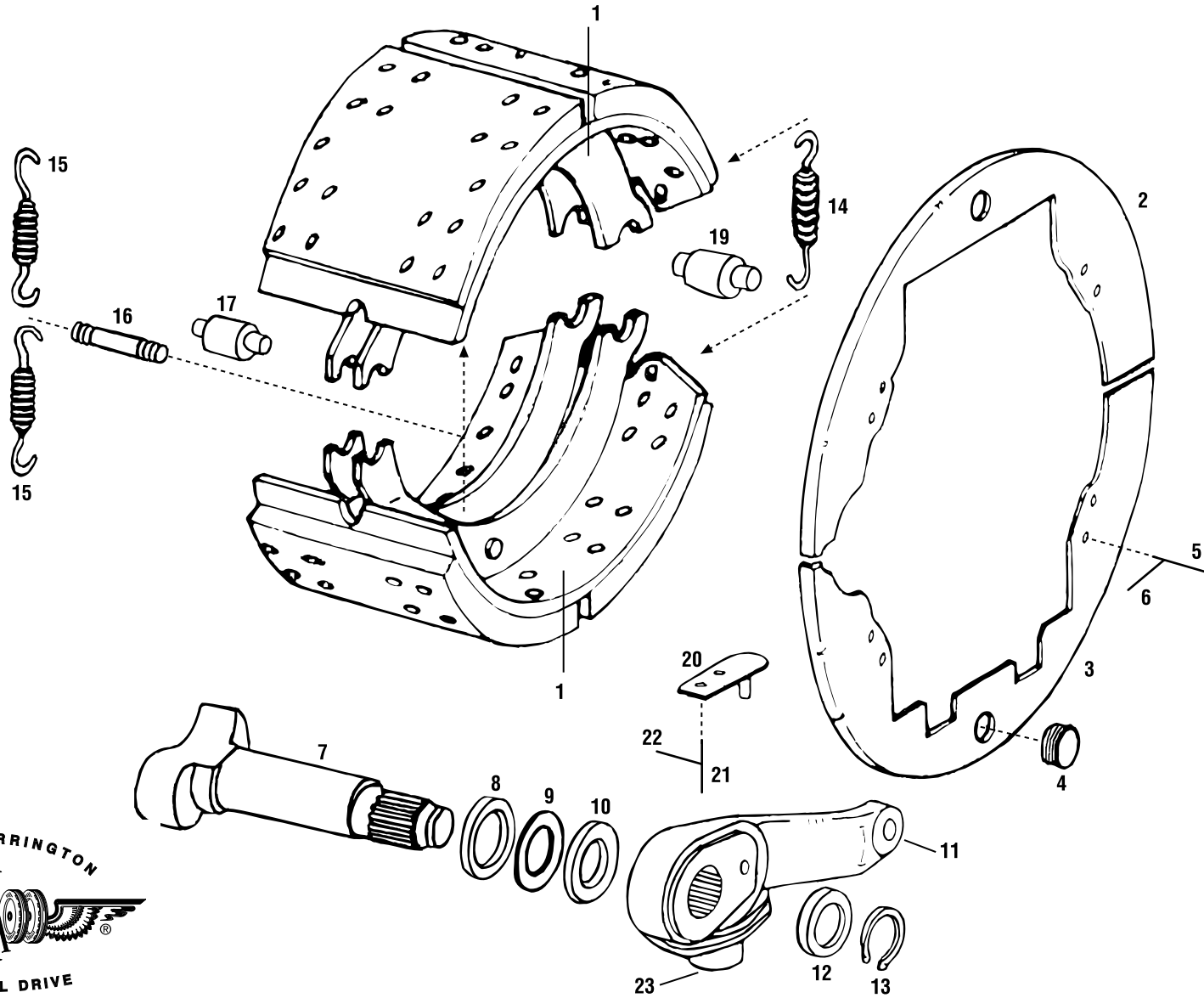
ITEM NO.	MH PART NO.	DESCRIPTION	QTY. REQ.	ITEM NO.	MH PART NO.	DESCRIPTION	QTY. REQ.
1	MT14-1217	Planet Gear Pin	10				
2	MT14-1218	Steel Ball	10				
3	MT14-1219	Distance Plate	20				
4	MT14-1220	Roller Bearing Assembly	20				
5	MT14-1028	Planet Gear	10				
6	MT14-1071	Fill Plug, Planetary Hub	2				
7	MT17-1213	Drain Plug, Planetary Hub	2				
8	MT14-1212	Sealing Ring	2				
9	MT14-1211	Threaded Stud	2				
10	11500773	Hex Bolt, M8x16-10.9	10				
11	11500191	Lockwasher, M8	10				
12	MT14-1029	End Cover	2				
13	MT17-1128	Planetary Gear Carrier	2				
14	MT14-1025	Planetary Ring Gear	2				
15	MT14-1026	Ring Gear Support Hub	2				
16	MT14-1207	Retaining Ring	2				
17	11500722	Hex Bolt, M10x25-1.5	8				
18	MT22-1154	Snap Ring	2				
19	MT14-1024	Sun Gear	2				
20	MT17-1156	Distance Ring	2				
21	MT17-1157	Friction Disc	2				
22	MT22-1157	Snap Ring	2				
23	MT22-1158A	Shim, .25 MM	AR				
	MT22-1158B	Shim, .50 MM					
	MT22-1158C	Shim, 2.00 MM					
24	MT22-1159	Friction Disc	2				
25	MT22-1153	Spacer	2				
		AR = As Required					

WHEEL HUB, BRAKE DRUM MT14N/H



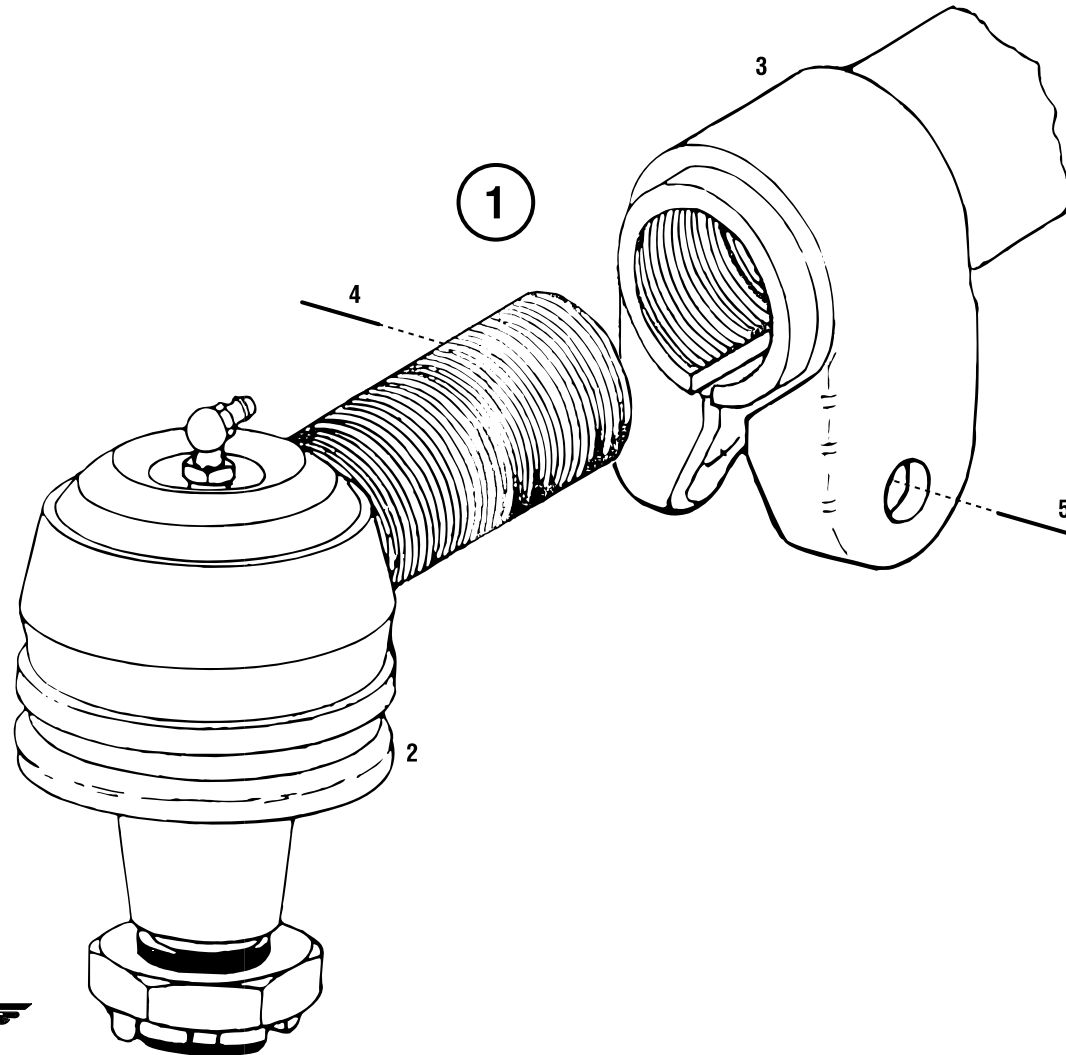
ITEM NO.	MH PART NO.	DESCRIPTION	QTY. REQ.	ITEM NO.	MH PART NO.	DESCRIPTION	QTY. REQ.
1	MT17-1229	Wheel Hub Assembly, Left (MT14N)	1				
	MT17-1230	Wheel Hub Assembly, Right (MT14N)	1				
	MT17-1231	Wheel Hub Assembly (MT14H)	1				
2	MT17-1026	Wheel Bolt, Left	10				
	MT17-1027	Wheel Bolt, Right	10				
	T15372	Nut, L.H.	10				
	T15371	Nut, R.H.	10				
	MT93-1251	Wheel Stud (ISO) Hub Mount (MT14H)	20				
	MT93-1197	Flange Nut (ISO)	20				
	MT93-1631	Wheel Stud (ISO) Aluminum Wheel (MT14HX)	20				
	MT93-1838	Flange Nut (ISO) Aluminum Wheel (MT14HX)	20				
3	MT14-1206	Taper Roller Bearing	2				
4	MT14-1202	Taper Roller Bearing	2				
5	MT14-1201	Oil Seal	2				
6	MT17-1016	Brake Drum	2				
	MT17-1016W	Brake Drum	2				
7	11500725	Hex Bolt, M10x35-10.9	8				
8	MT14-1204	Distance Sleeve	2				
9	MT75-9625	Exciter Ring (ABS)	2				
		AR = As Required					

BRAKE MT14N/H



ITEM NO.	MH PART NO.	DESCRIPTION	QTY. REQ.	ITEM NO.	MH PART NO.	DESCRIPTION	QTY. REQ.
1	MT22-1164	Brake Shoe Assembly	4				
	MT22-1244	Brake Lining Kit	1				
2	MT14-1151	Dust Cover, Upper Left	1				
	MT14-1152	Dust Cover, Upper Right (Not Shown)	1				
3	MT14-1153	Dust Cover, Lower Left	1				
	MT14-1154	Dust Cover, Lower Right (Not Shown)	1				
4	MT14-1150	Rubber Plug	4				
5	11500777	Hex Bolt, M10x15-5.6	16				
6	11500192	Flat Lock Washer	16				
7	MT17-1146	Brake Spanner, L.H.	1				
	MT17-1147	Brake Spanner, R.H. (Not Shown)	1				
8	MT14-1145	Spacer	2				
9	MT14-1143	Washer	2				
10	MT22-1199	Shim, 0.5 mm	AR				
11	MT22-1237	Slack Adj., L.H.	1				
	MT22-1238	Slack Adj., R.H. (Not Shown)	1				
12	MT17-1142	Washer	4				
13	MT17-1141	Snap Ring	2				
14	MT22-1177	Brake Shoe Spring, Long	4				
15	MT14-1157	Brake Shoe Return Spring, Short	2				
16	MT14-1158	Spring Support Pin	4				
17	MT22-1178	Brake Shoe Roller	4				
19	MT22-1243	Brake Shoe Pin	4				
20	MT17-1143	Stop, L.H.	1				
	MT17-1144	Stop, R.H.	1				
21	11500773	Hex Bolt, M8x16-1.25	4				
22	11500191	Flat Lock Washer	4				
23	MT22-1246	Adjusting Cap, L.H.	1				
	MT22-1247	Adjusting Cap, R.H.	1				
		AR = As Required					

TIE-ROD MT14N/H



ITEM NO.	MH PART NO.	DESCRIPTION	QTY. REQ.	ITEM NO.	MH PART NO.	DESCRIPTION	QTY. REQ.
1	MT10-1127	Tie-Rod Assembly	1				
2	MT10-1128	Ball Joint Head, L.H.	1				
	MT10-1129	Ball Joint Head, R.H.	1				
3	MT10-1131	Tie-Rod, with Clamps	1				
4	11500735	Hex Bolt, M12x1.75x65-10.9	2				
5	11500756	Self-locking Nut, M12x1.75	2				



13001 Magisterial Drive • Louisville, KY 40223
(502) 253-0277 • (800) 227-0727 • Fax (502) 253-0317
E-mail: info@marmon-herrington.com