

# Transfer Case Model Designations

## Transfer Case Series

T10 DTC25  
 T20 MVG750  
 T21 MVG754  
 T30 R/DTC60  
 T40 MVG1200  
 T50 MVG1600  
 T60 RTC100  
 T70 MVG2000  
 T71 MVG2001  
 T80 MVG2700

## Drop

In millimeters

## Unique Specification Number

## Number of Shafts

**T 4 0 R 3 W 2 3 5 V 0 0 1**

## Transmission Mounting

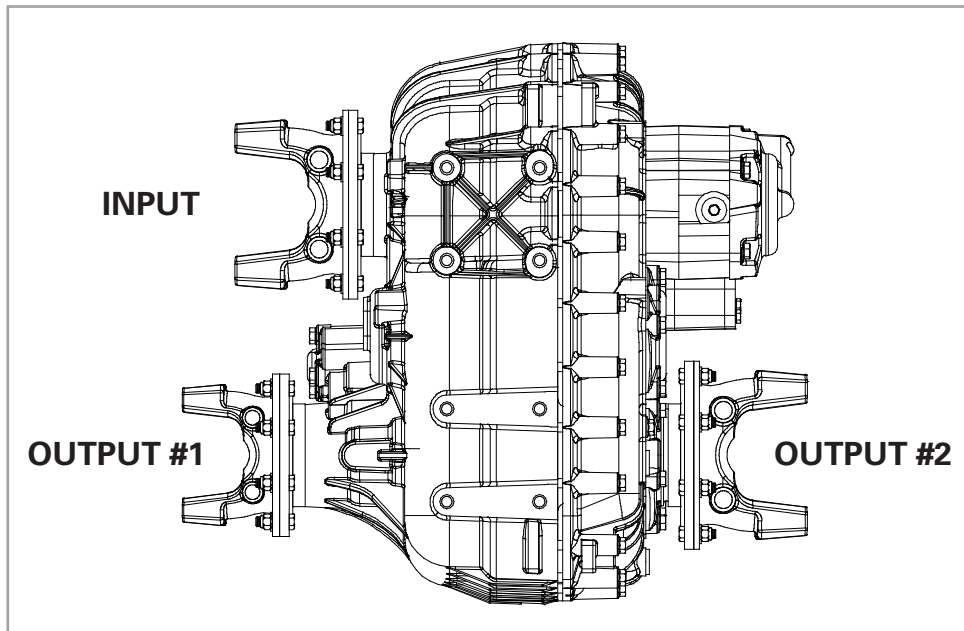
**R** Remote Mount  
**D** Direct Mount

## Differential Type

**W** Without  
**K** 50/50 Diff. (bevel gear)  
**P** 70/30 Diff. (planetary)

## Output #1 Offset

**V** Vertical (none)  
**D** Driver Side (left)  
**P** Passenger Side (Right)



Marmon-Herrington

