

Axle Model Designations

2013.04.15

Axle Function

- SN** Steer / Non-Drive
- RN** Rigid / Non-Drive
- SD** Steer / Drive
- SL** Steer / Drive / Diff. Lock
- RD** Rigid / Drive
- RL** Rigid / Drive / Diff. Lock

Brake Style

- C** S-Cam
- G** Wedge
- H** Hydraulic Dry Disc
- A** Air Dry Disc
- W** Wet Disc

Final Ratio

e.g. 6.27:1 = 0627

Unique Specification Number

S D 6 0 1 2 C 0 6 2 7 V 0 0 0

Axle Series

e.g. 60 = 600 Series

Drivethrough Option

- 0** Non-Drive Axle
- 1** Single Drive Axle
- 2** Tandem Drive Axle (50/50 Interaxle Diff.)
- 3** Tridem Drive Axle (30.5/69.5 Interaxle Diff.)
- 4** Tandem Set
- 5** Tridem Set

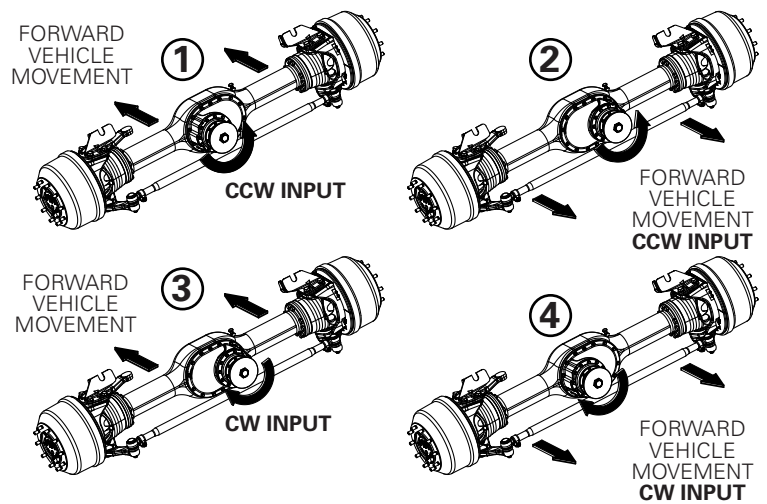
Lubrication Pump

- V** No Pump
- X** Pump on tandem throughdrive only
- Y** Pump on tridem throughdrive only
- Z** Pump on tandem and tridem throughdrive

- 300** MT8, CT8
- 400** MT10, MT11, MT12, CT12, MT13, R13
- 500** MT14, CT14, CT16
- 510** MT17, R17, RF17
- 540** FSND08S
- 550** FSND09S
- 600** MT22, R22, RF22
- 640** FSND10P, SSND10S
- 650** FRDP10S, FRMP10S, FSDP10S, FSMP10S
- 700** MT25, R25, RF25
- 720** FSND12G, SSDP12S
- 740** FRLB13S, FRND13S
- 760** FRDP14S, FRMP14S, FRFP14S, FSDP14G, FSMP14G, FSFP14G
- 780** FRDP13/16S, FRMP13/16S, FRFP13/16S
- 800** SSDP18G
- 820** FRDP20S, FRMP20S
- 880** SRDP32P, SRDP30S

Pinion Rotation & Axle Direction

0 Non-Drive Axle



Marmon-Herrington

